

1 RO.'d - BEAM - MK'd B4

W	12 1/4"	X	1/4"
F	6 1/2"	X	3/8"

Zone	GRID LOC.	Mk.	TOP ELEV.
3	1/G-F.5	B4	128'-11"

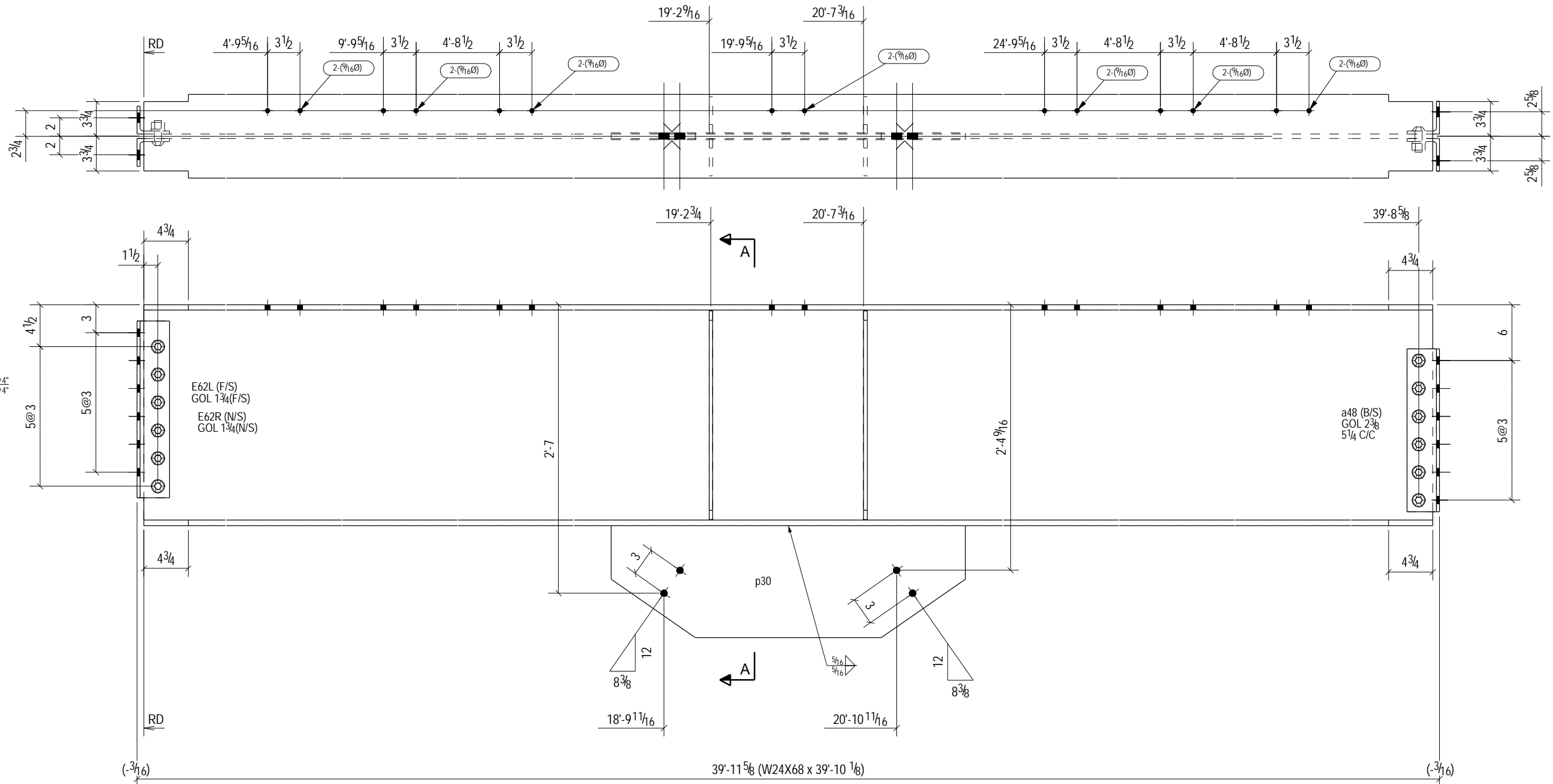
1		B4	BEAM		705		
1	1		W12X26	26'-6 5/8"	691	B4	A572-GR.50
1	1	E24L	L3-1/2X3X5/16	0'-7"	4		
1	1	E24R	L3-1/2X3X5/16	0'-7"	4		
2	2	a43	L3-1/2X3-1/2X5/16	0'-5 1/2"	3		
4	4		3/4" Ø A325X_TC BOLT	2"			
TOTAL QTY	UNIT QTY	MARK	DESCRIPTION	LENGTH	UNIT WT.	Adv Bill #	REMARKS

JOB REV	DWG REV	DATE	REMARKS
			STEEL GRADE: A36 (UN)
			STD HOLES: 13/16Ø (UN)
			SHOP BOLTS: 3/4Ø A325X_TC (UN)
			WELDS: E70XX (UN)
			SURF. PREP: SSPC-SP2 (UN)
			PAINT:



730 Madison Street
Wrentham, Mass 02093
Phone: (508) 384-5000

JOB NAME: Atlas Box & Crating Company			
JOB LOCATION: Sutton, MA			
CONTRACTOR:			
DWG. TITLE Assembly Beam Detail			SHT.
DRAWN BY: KB	CHK'D BY: CM	JOB NUMBER	0 B4
DATE: 01/22/2009	DATE: 01/26/2009	502-08	



1 RO.'d - BEAM - Mk'd B9

W	23 3/4"	X	1 1/2"
F	8 15/16"	X	9/16"

Zone	GRID LOC.	Mk.	TOP ELEV.
9	11-12/G	B9	128'-8" 1/2

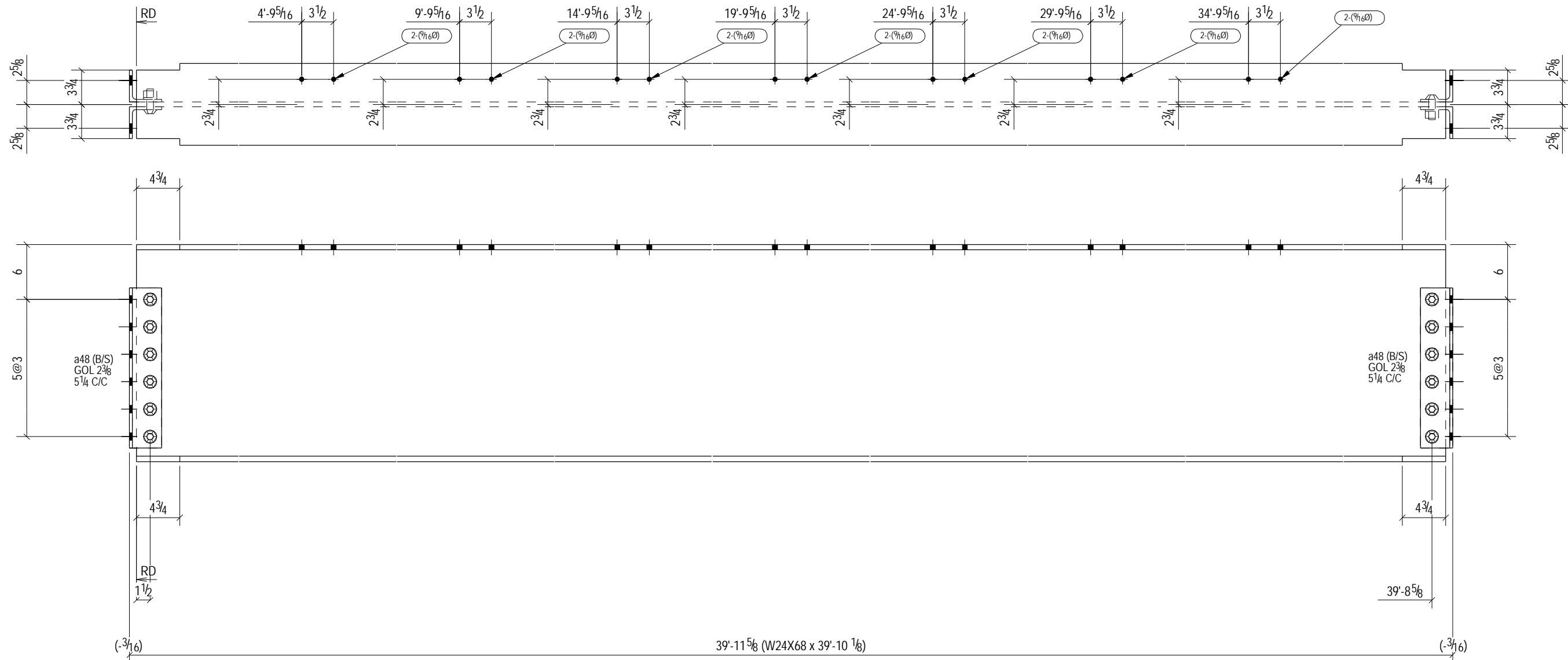
1	1	B9	BEAM		2903		
TOTAL QTY	UNIT QTY	MARK	DESCRIPTION	LENGTH	UNIT WT.	Adv Bill #	REMARKS
1	1		W24X68	39'-10 1/8"	2725	B9	A572-GR.50
1	1	E62L	L3-1/2X3X5/16	1'-7"	10		
1	1	E62R	L3-1/2X3X5/16	1'-7"	10		
2	2	a48	L3-1/2X3-1/2X5/16	1'-5 1/2"	10		
1	1	p30	PL3/4X12 1/16	3'-2"	98		
4	4	p75	FB3/8X4	1'-10 7/16"	10		
12	12		3/4" Ø A325X_TC BOLT	2 1/4"			

JOB REV	DWG REV	DATE	REMARKS
			STEEL GRADE: A36 (UN)
			STD HOLES: 13/16Ø (UN)
			SHOP BOLTS: 3/4Ø A325X_TC (UN)
			WELDS: E70XX (UN)
			SURF. PREP: SSPC-SP2 (UN)
			PAINT:



730 Madison Street
Wrentham, Mass 02093
Phone: (508) 384-5000

JOB NAME: Atlas Box & Crating Company	
JOB LOCATION: Sutton, MA	
CONTRACTOR:	
DWG. TITLE: Assembly Beam Detail	SHT. B9
DRAWN BY: KB DATE: 01/22/2009	CHK'D BY: CM DATE: 01/26/2009
JOB NUMBER: 502-08	0



Zone	GRID LOC.	Mk.	TOP ELEV.
4	8-9/G	B10	128'-8" 1/2

1 RO.'d - BEAM - Mk'd B10

W	23 3/4"	X	1/2"
F	8 15/16"	X	9/16"

JOB REV	DWG REV	DATE	REMARKS
			STEEL GRADE: A36 (UN)
			STD HOLES: 13/16Ø (UN)
			SHOP BOLTS: 3/4Ø A325X_TC (UN)
			WELDS: E70XX (UN)
			SURF. PREP: SSPC-SP2 (UN)
			PAINT:



730 Madison Street
Wrentham, Mass 02093
Phone: (508) 384-5000

1		B10	BEAM		2767		
TOTAL QTY	UNIT QTY	MARK	DESCRIPTION	LENGTH	UNIT WT.	Adv Bill #	REMARKS
1	1		W24X68	39'-10 1/8"	2725	B10	A572-GR.50
4	4	a48	L3-1/2X3-1/2X5/16	1'-5 1/2"	10		
12	12		3/4" Ø A325X_TC BOLT	2 1/4"			

JOB NAME: Atlas Box & Crating Company			SHT. B10
JOB LOCATION: Sutton, MA			
CONTRACTOR:			
DWG. TITLE: Assembly Beam Detail			
DRAWN BY: KB	CHK'D BY: CM	JOB NUMBER	0
DATE: 01/22/2009	DATE: 01/26/2009	502-08	



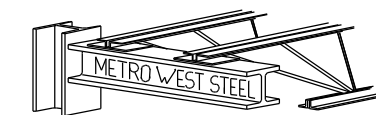
Zone	GRID LOC.	Mk.	TOP ELEV.
13	11.5-12/H	B11	113'-6"1/2

1 RO.'d - BEAM - Mk'd B11

W	15 11/16	X	1/4"
F	5 1/2"	X	3/8"

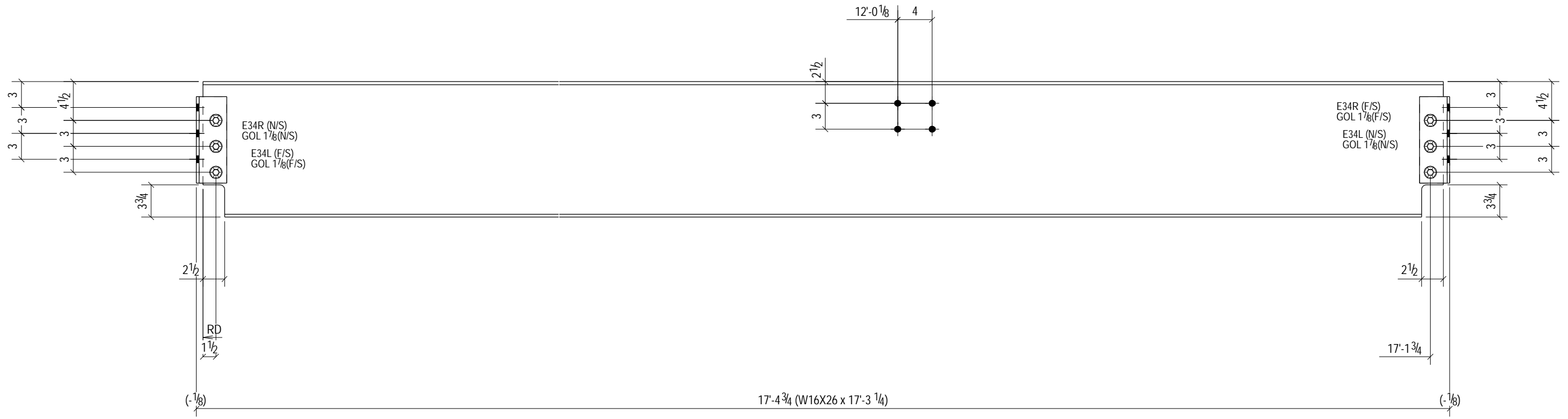
TOTAL QTY	UNIT QTY	MARK	DESCRIPTION	LENGTH	UNIT WT.	Adv Bill #	REMARKS
1		B11	BEAM		569		
1	1		W16X26	19'-4 1/2"	506	B11	A572-GR.50
1	1	p135	FB3/4X11	2'-2 9/16"	62		

JOB REV	DWG REV	DATE	REMARKS
			STEEL GRADE: A36 (UN)
			STD HOLES: 13/16Ø (UN)
			SHOP BOLTS: 3/4Ø A325X_TC (UN)
			WELDS: E70XX (UN)
			SURF. PREP: SSPC-SP2 (UN)
			PAINT:



730 Madison Street
Wrentham, Mass 02093
Phone: (508) 384-5000

JOB NAME: Atlas Box & Crating Company		
JOB LOCATION: Sutton, MA		
CONTRACTOR:		
DWG. TITLE: Assembly Beam Detail		SHT.:
DRAWN BY: KB	CHK'D BY: CM	JOB NUMBER
DATE: 01/22/2009	DATE: 01/26/2009	502-08
		B11



1 RO.'d - BEAM - Mk'd B13

W	15 11/16	X	1/4"
F	5 1/2"	X	3/8"

Zone	GRID LOC.	Mk.	TOP ELEV.
14	13-14/J-H	B13	113'-6 1/2"

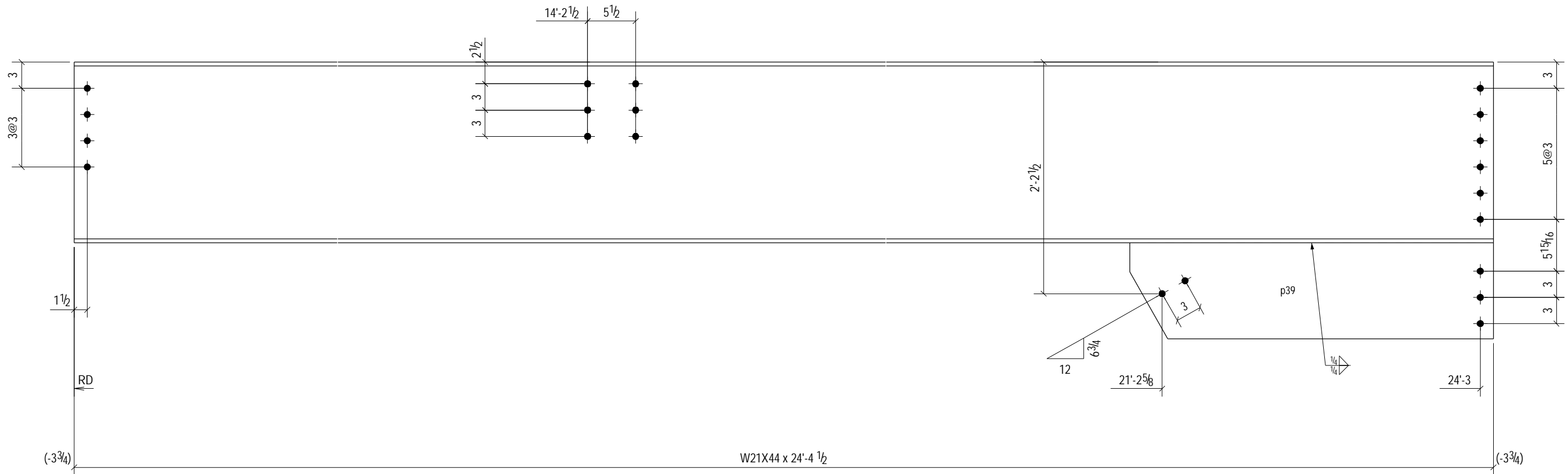
TOTAL QTY	UNIT QTY	MARK	DESCRIPTION	LENGTH	UNIT WT.	Adv Bill #	REMARKS
1		B13	BEAM		473		
1	1		W16X26	17'-3 1/4"	451	B13	A572-GR.50
2	2	E34L	L3-1/2X3X5/16	0'-10"	6		
2	2	E34R	L3-1/2X3X5/16	0'-10"	6		
6	6		3/4" Ø A325X_TC BOLT	2"			

JOB REV	DWG REV	DATE	REMARKS
			STEEL GRADE: A36 (UN)
			STD HOLES: 13/16Ø (UN)
			SHOP BOLTS: 3/4Ø A325X_TC (UN)
			WELDS: E70XX (UN)
			SURF. PREP: SSPC-SP2 (UN)
			PAINT:



730 Madison Street
Wrentham, Mass 02093
Phone: (508) 384-5000

JOB NAME: Atlas Box & Crating Company			SHT. B13						
JOB LOCATION: Sutton, MA									
CONTRACTOR:			<table border="1"> <tr> <td>DWG. TITLE: Assembly Beam Detail</td> <td>JOB NUMBER: 502-08</td> </tr> <tr> <td>DRAWN BY: KB</td> <td>CHK'D BY: CM</td> </tr> <tr> <td>DATE: 01/22/2009</td> <td>DATE: 01/26/2009</td> </tr> </table>	DWG. TITLE: Assembly Beam Detail	JOB NUMBER: 502-08	DRAWN BY: KB	CHK'D BY: CM	DATE: 01/22/2009	DATE: 01/26/2009
DWG. TITLE: Assembly Beam Detail	JOB NUMBER: 502-08								
DRAWN BY: KB	CHK'D BY: CM								
DATE: 01/22/2009	DATE: 01/26/2009								



Zone	GRID LOC.	Mk.	TOP ELEV.
13	8.7-9.7/J	B14	113'-6 1/2"

1 RO.'d - BEAM - Mk'd B14

W	20 11/16	X	3/8"
F	6 1/2"	X	7/16"

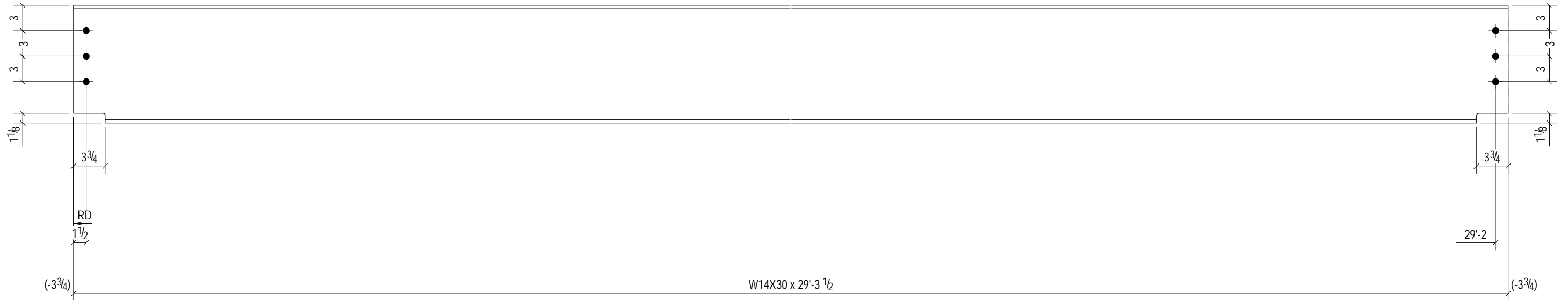
TOTAL QTY	UNIT QTY	MARK	DESCRIPTION	LENGTH	UNIT WT.	Adv Bill #	REMARKS
1		B14	BEAM		1176		
1	1		W21X44	24'-4 1/2"	1078	B14	A572-GR.50
1	1	p39	FB3/4X11	3'-5 9/16"	97		

JOB REV	DWG REV	DATE	REMARKS
			STEEL GRADE: A36 (UN)
			STD HOLES: 13/16Ø (UN)
			SHOP BOLTS: 3/4Ø A325X_TC (UN)
			WELDS: E70XX (UN)
			SURF. PREP: SSPC-SP2 (UN)
			PAINT:



730 Madison Street
Wrentham, Mass 02093
Phone: (508) 384-5000

JOB NAME: Atlas Box & Crating Company			
JOB LOCATION: Sutton, MA			
CONTRACTOR:			
DWG. TITLE: Assembly Beam Detail		SHT.	
DRAWN BY: KB	CHK'D BY: CM	JOB NUMBER 502-08	
DATE: 01/22/2009	DATE: 01/26/2009		
<table border="1"> <tr> <td>0</td> </tr> </table>		0	B14
		0	



Zone	GRID LOC.	Mk.	TOP ELEV.
14	14/K-J	B18	128'-11"

1 RO.'d - BEAM - MK'd B18

W	13 13/16	X	1/4"
F	6 3/4"	X	3/8"

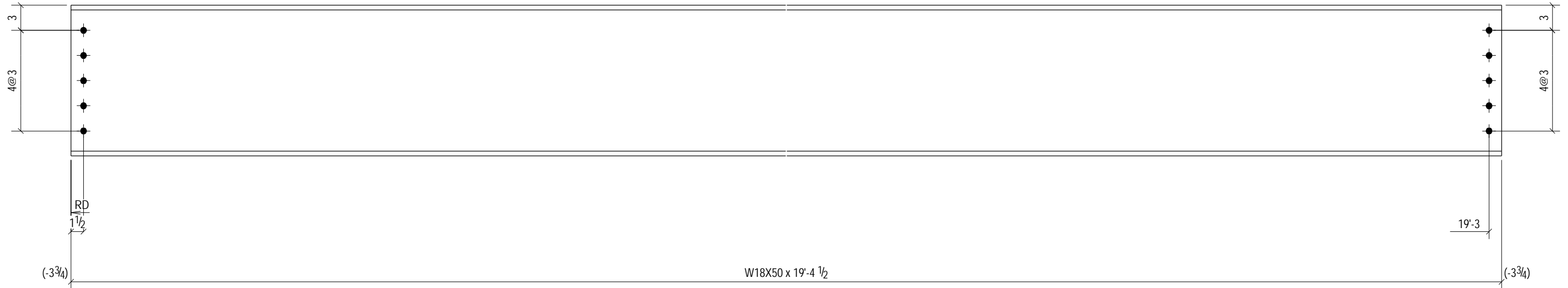
TOTAL QTY	UNIT QTY	MARK	DESCRIPTION	LENGTH	UNIT WT.	Adv Bill #	REMARKS
1		B18	BEAM		882		
1	1		W14X30	29'-3 1/2"	882	B18	A572-GR.50

JOB REV	DWG REV	DATE	REMARKS
			STEEL GRADE: A36 (UN)
			STD HOLES: 13/16Ø (UN)
			SHOP BOLTS: 3/4Ø A325X_TC (UN)
			WELDS: E70XX (UN)
			SURF. PREP: SSPC-SP2 (UN)
			PAINT:



730 Madison Street
Wrentham, Mass 02093
Phone: (508) 384-5000

JOB NAME: Atlas Box & Crating Company		
JOB LOCATION: Sutton, MA		
CONTRACTOR:		
DWG. TITLE: Assembly Beam Detail		SHT.
DRAWN BY: KB	CHK'D BY: CM	JOB NUMBER
DATE: 01/22/2009	DATE: 01/26/2009	502-08
		0
		B18



Zone	GRID LOC.	Mk.	TOP ELEV.
13	9.7-11/J	B19	113'-6"1/2
13	11-11.5/J	B19	113'-6"1/2
14	12-12.5/J	B19	113'-6"1/2

3 RO.'d - BEAM - MK'd B19

W	18"	X	3/8"
F	7 1/2"	X	9/16"

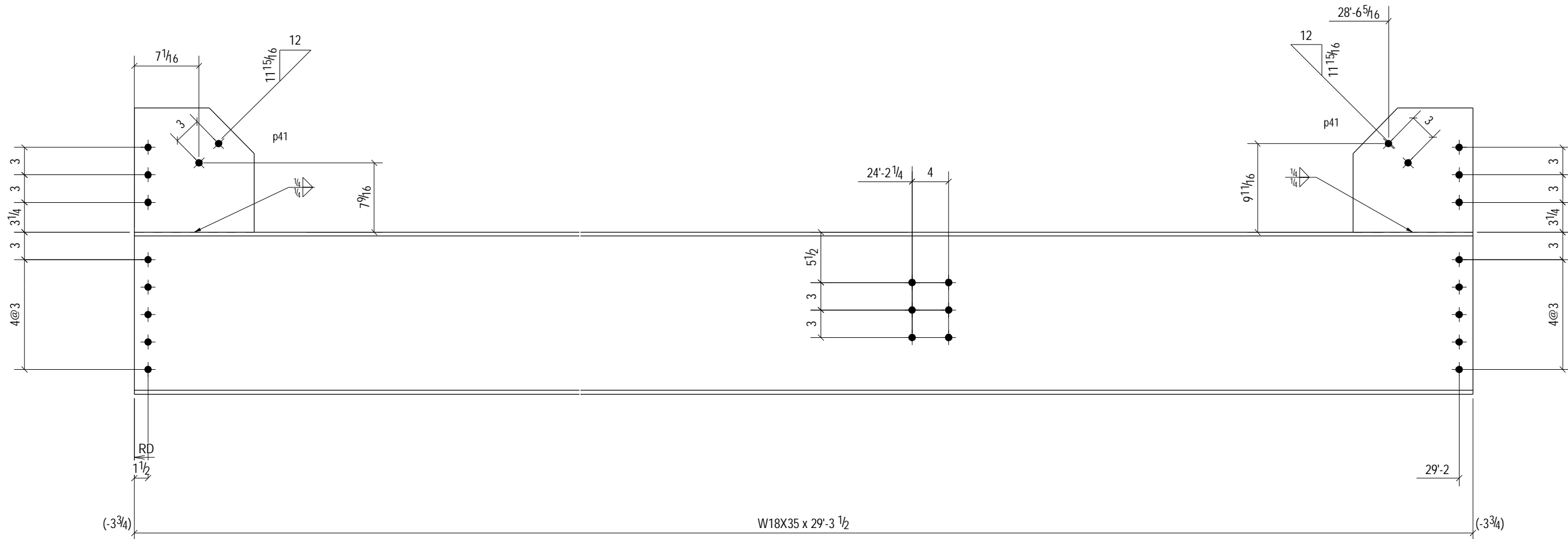
TOTAL QTY	UNIT QTY	MARK	DESCRIPTION	LENGTH	UNIT WT.	Adv Bill #	REMARKS
3		B19	BEAM		969		
3	1		W18X50	19'-4 1/2"	969	B19	A572-GR.50

JOB REV	DWG REV	DATE	REMARKS
			STEEL GRADE: A36 (UN)
			STD HOLES: 13/16Ø (UN)
			SHOP BOLTS: 3/4Ø A325X_TC (UN)
			WELDS: E70XX (UN)
			SURF. PREP: SSPC-SP2 (UN)
			PAINT:



730 Madison Street
Wrentham, Mass 02093
Phone: (508) 384-5000

JOB NAME: Atlas Box & Crating Company		
JOB LOCATION: Sutton, MA		
CONTRACTOR:		
DWG. TITLE: Assembly Beam Detail		SHT.:
DRAWN BY: KB	CHK'D BY: CM	JOB NUMBER
DATE: 01/22/2009	DATE: 01/26/2009	502-08
		0
		B19



Zone	GRID LOC.	Mk.	TOP ELEV.
14	13/K-J	B20	114'-10"19/1

1 RO.'d - BEAM - Mk'd B20

W	17 11/16	X	3/8"
F	6"	X	7/16"

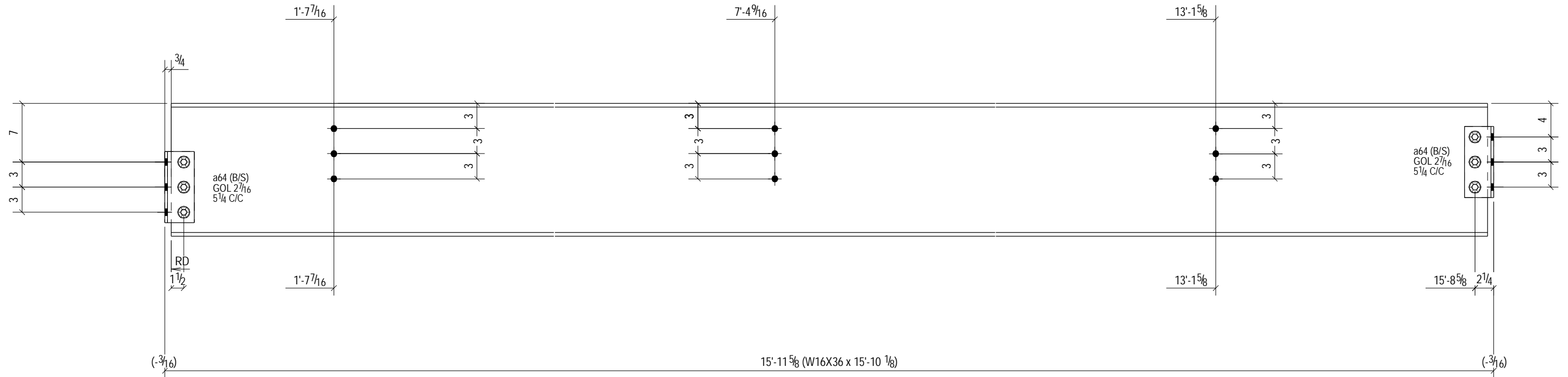
TOTAL QTY	UNIT QTY	MARK	DESCRIPTION	LENGTH	UNIT WT.	Adv Bill #	REMARKS
1		B20	BEAM		1102		
1	1		W18X35	29'-3 1/2"	1027	B20	A572-GR.50
2	2	p41	PL3/4X13 1/16	1'-1 9/16"	38		

JOB REV	DWG REV	DATE	REMARKS
			STEEL GRADE: A36 (UN)
			STD HOLES: 13/16Ø (UN)
			SHOP BOLTS: 3/4Ø A325X_TC (UN)
			WELDS: E70XX (UN)
			SURF. PREP: SSPC-SP2 (UN)
			PAINT:



730 Madison Street
Wrentham, Mass 02093
Phone: (508) 384-5000

JOB NAME: Atlas Box & Crating Company		
JOB LOCATION: Sutton, MA		
CONTRACTOR:		
DWG. TITLE Assembly Beam Detail		SHT.
DRAWN BY: KB	CHK'D BY: CM	JOB NUMBER
DATE: 01/22/2009	DATE: 01/26/2009	502-08
		B20



Zone	GRID LOC.	Mk.	TOP ELEV.
13	8-8.5/K-J	B21	128'-11"

1 RO.'d - BEAM - Mk'd B21

W	15 7/8"	X	3/8"
F	7"	X	7/16"

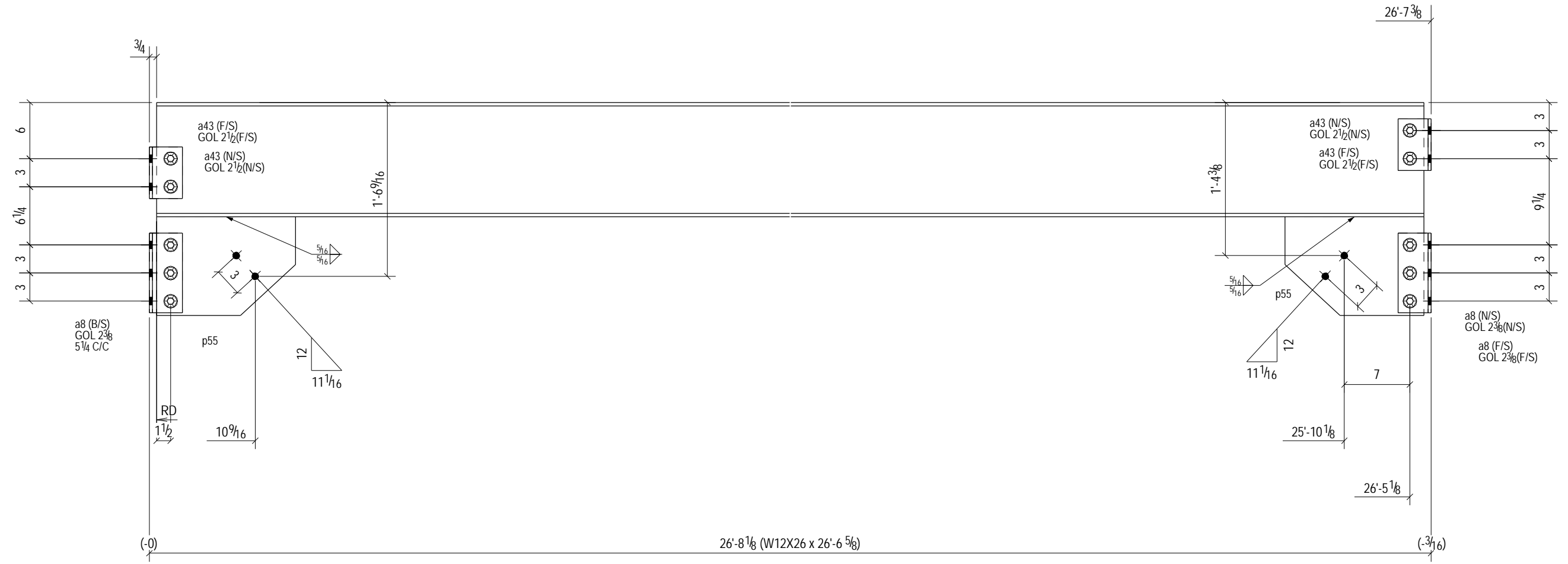
JOB REV	DWG REV	DATE	REMARKS
			STEEL GRADE: A36 (UN)
			STD HOLES: 13/16Ø (UN)
			SHOP BOLTS: 3/4Ø A325X_TC (UN)
			WELDS: E70XX (UN)
			SURF. PREP: SSPC-SP2 (UN)
			PAINT:



730 Madison Street
Wrentham, Mass 02093
Phone: (508) 384-5000

TOTAL QTY	UNIT QTY	MARK	DESCRIPTION	LENGTH	UNIT WT.	Adv Bill #	REMARKS
1		B21	BEAM		592		
1	1		W16X36	15'-10 1/8"	572	B21	A572-GR.50
4	4	a64	L3-1/2X3-1/2X5/16	0'-8 1/2"	5		
6	6		3/4" Ø A325X_TC BOLT	2"			

JOB NAME: Atlas Box & Crating Company			SHT. B21
JOB LOCATION: Sutton, MA			
CONTRACTOR:			
DWG. TITLE: Assembly Beam Detail			
DRAWN BY: KB	CHK'D BY: CM	JOB NUMBER	0
DATE: 01/22/2009	DATE: 01/26/2009	502-08	



1 RQ.'d - BEAM - Mk'd B22

W	12 1/4"	X	1/4"
F	6 1/2"	X	3/8"

Zone	GRID LOC.	Mk.	TOP ELEV.
10	18/G-F.5	B22	128'-11"

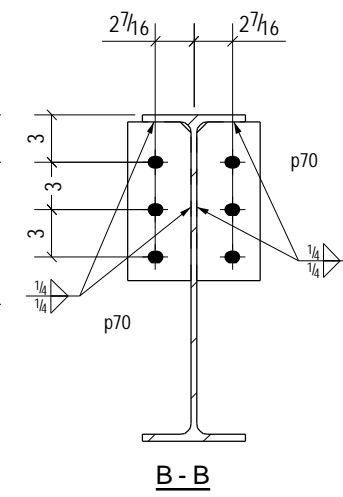
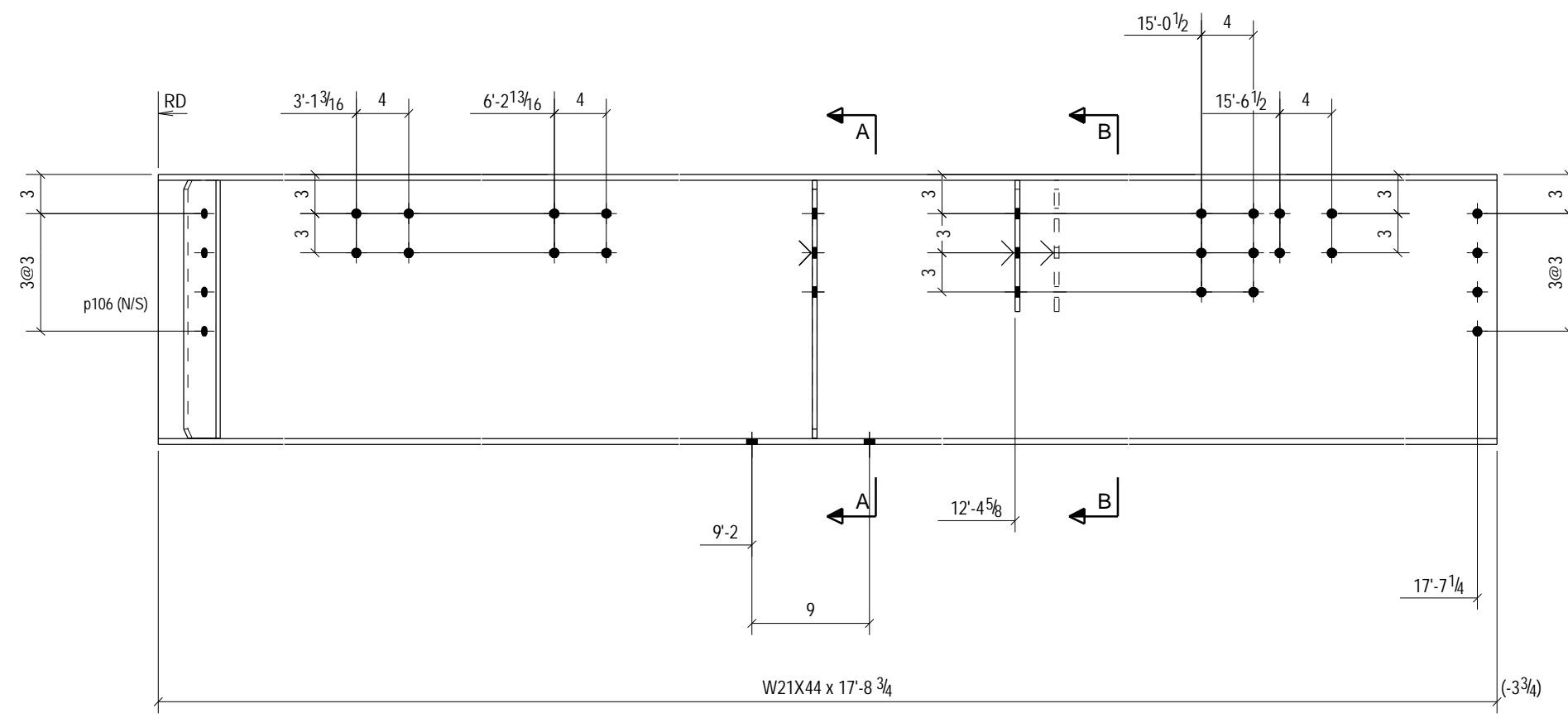
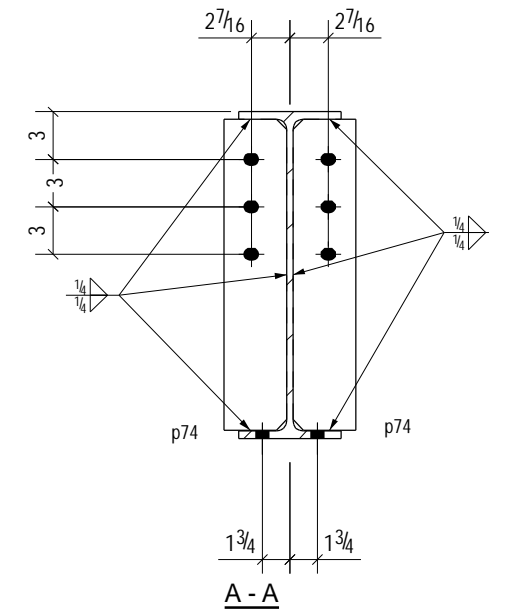
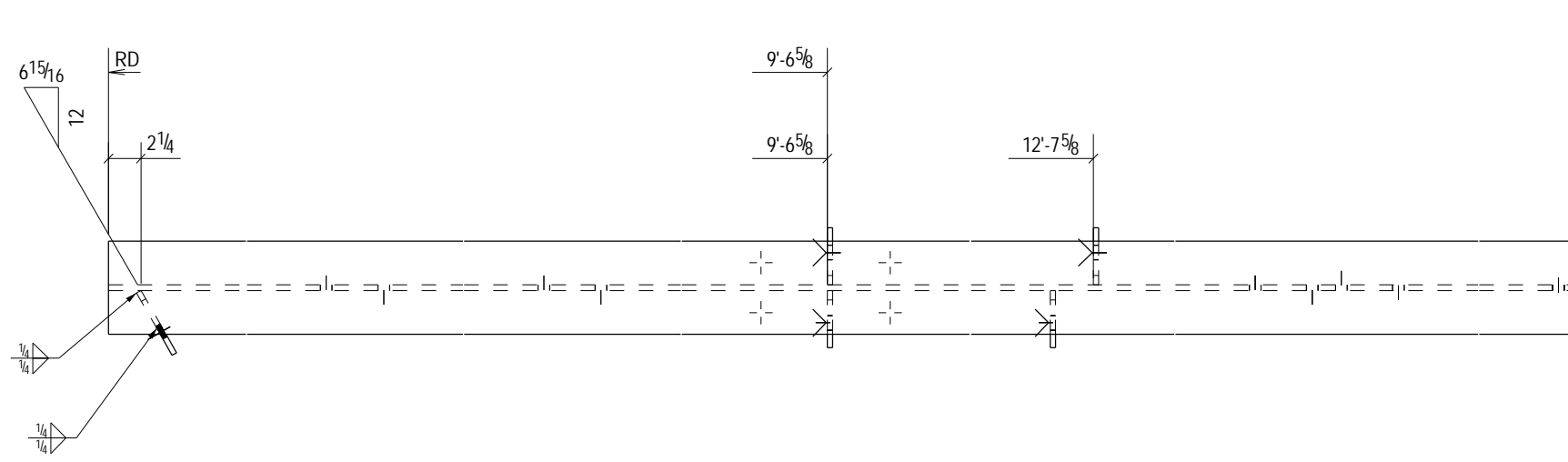
1		B22	BEAM		769		
1	1		W12X26	26'-6 5/8"	691	B22	A572-GR.50
4	4	a8	L3-1/2X3-1/2X5/16	0'-8 1/2"	5		
4	4	a43	L3-1/2X3-1/2X5/16	0'-5 1/2"	3		
2	2	p55	PL1/2X10 1/2	1'-2 13/16"	22		
4	4		3/4" Ø A325X_TC BOLT	2"			
6	6		3/4" Ø A325X_TC BOLT	2 1/4"			
TOTAL QTY	UNIT QTY	MARK	DESCRIPTION	LENGTH	UNIT WT.	Adv Bill #	REMARKS

JOB REV	DWG REV	DATE	REMARKS
			STEEL GRADE: A36 (UN)
			STD HOLES: 13/16Ø (UN)
			SHOP BOLTS: 3/4Ø A325X_TC (UN)
			WELDS: E70XX (UN)
			SURF. PREP: SSPC-SP2 (UN)
			PAINT:



730 Madison Street
Wrentham, Mass 02093
Phone: (508) 384-5000

JOB NAME: Atlas Box & Crating Company		
JOB LOCATION: Sutton, MA		
CONTRACTOR:		
DWG. TITLE Assembly Beam Detail		SHT.
DRAWN BY: KB DATE: 01/22/2009	CHK'D BY: CM DATE: 01/26/2009	JOB NUMBER 502-08
		<div style="border: 1px solid black; width: 20px; height: 20px; display: flex; align-items: center; justify-content: center; margin: 0 auto;"> 0 </div>
		B22



1 RO.'d - BEAM - Mk'd B24

W	20 11/16	X	3/8"
F	6 1/2"	X	7/16"

Zone	GRID LOC.	Mk.	TOP ELEV.
13	8.5-8.7/J	B24	113'-9"

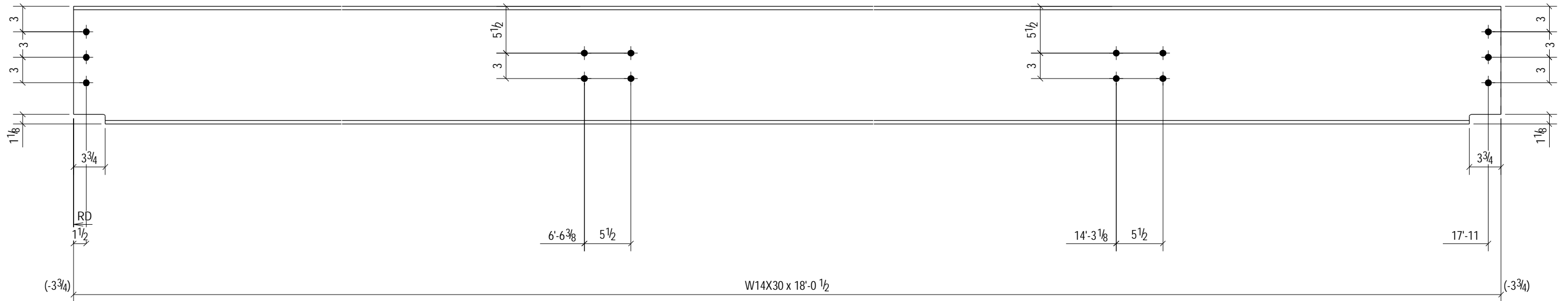
TOTAL QTY	UNIT QTY	MARK	DESCRIPTION	LENGTH	UNIT WT.	Adv Bill #	REMARKS
1		B24	BEAM		820		
1	1		W21X44	17'-8 3/4"	784	B24	A572-GR.50
2	2	p70	FB3/8X4	0'-10 1/16"	4		
2	2	p74	FB3/8X4	1'-7 11/16"	8		
1	1	p106	FB3/8X5	1'-7 11/16"	11		

JOB REV	DWG REV	DATE	REMARKS
			STEEL GRADE: A36 (UN)
			STD HOLES: 13/16Ø (UN)
			SHOP BOLTS: 3/4Ø A325X_TC (UN)
			WELDS: E70XX (UN)
			SURF. PREP: SSPC-SP2 (UN)
			PAINT:



730 Madison Street
Wrentham, Mass 02093
Phone: (508) 384-5000

JOB NAME: Atlas Box & Crating Company			SHT. B24
JOB LOCATION: Sutton, MA			
CONTRACTOR:			
DWG. TITLE: Assembly Beam Detail		JOB NUMBER: 502-08	
DRAWN BY: KB	CHK'D BY: CM	DATE: 01/22/2009	
DATE: 01/22/2009		DATE: 01/26/2009	



Zone	GRID LOC.	Mk.	TOP ELEV.
13	9.7/J-H	B26	113'-9"

1 RO.'d - BEAM - MK'd B26

W	13 13/16	X	1/4"
F	6 3/4"	X	3/8"

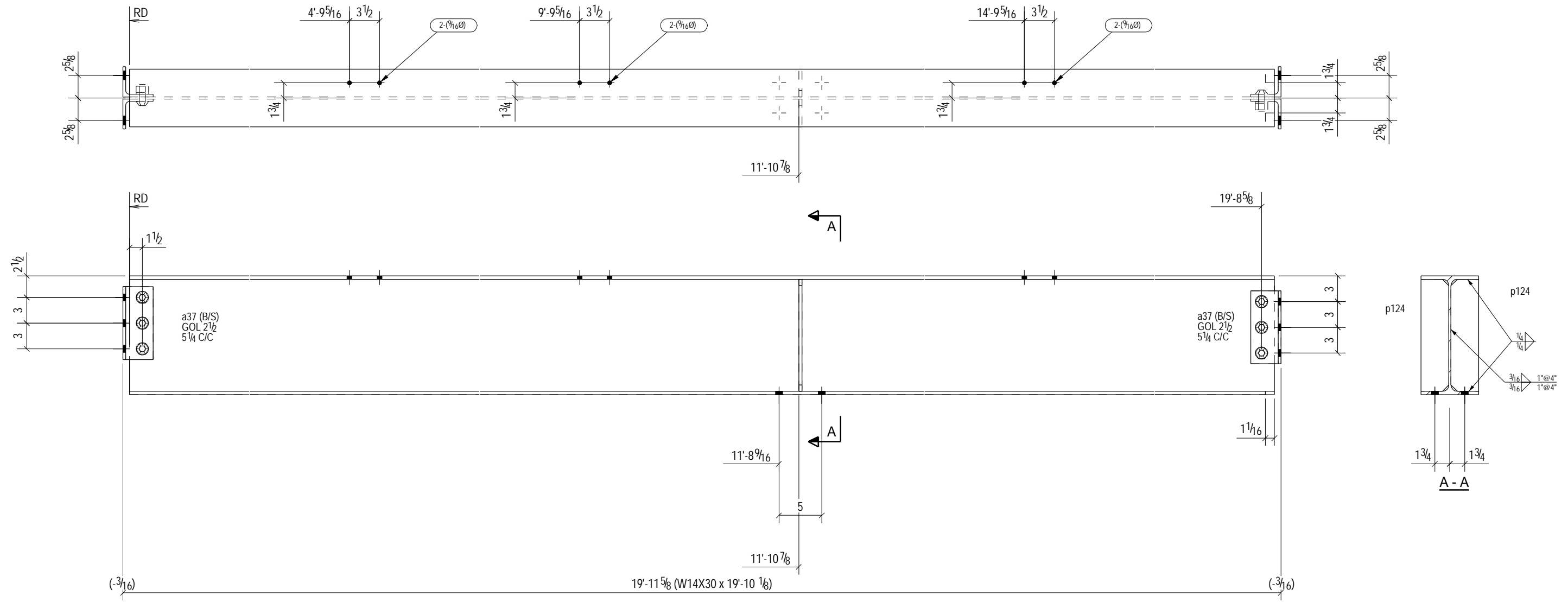
TOTAL QTY	UNIT QTY	MARK	DESCRIPTION	LENGTH	UNIT WT.	Adv Bill #	REMARKS
1		B26	BEAM		543		
1	1		W14X30	18'-0 1/2"	543	B26	A572-GR.50

JOB REV	DWG REV	DATE	REMARKS
			STEEL GRADE: A36 (UN)
			STD HOLES: 13/16Ø (UN)
			SHOP BOLTS: 3/4Ø A325X_TC (UN)
			WELDS: E70XX (UN)
			SURF. PREP: SSPC-SP2 (UN)
			PAINT:



730 Madison Street
Wrentham, Mass 02093
Phone: (508) 384-5000

JOB NAME: Atlas Box & Crating Company		
JOB LOCATION: Sutton, MA		
CONTRACTOR:		
DWG. TITLE: Assembly Beam Detail		SHT.
DRAWN BY: KB	CHK'D BY: CM	JOB NUMBER
DATE: 01/22/2009	DATE: 01/26/2009	502-08
		0
		B26



1 RO.'d - BEAM - Mk'd B60

W	13 13/16	X	1/4"
F	6 3/4"	X	3/8"

Zone	GRID LOC.	Mk.	TOP ELEV.
4	7.5-8/G	B60	128'-8"1/2

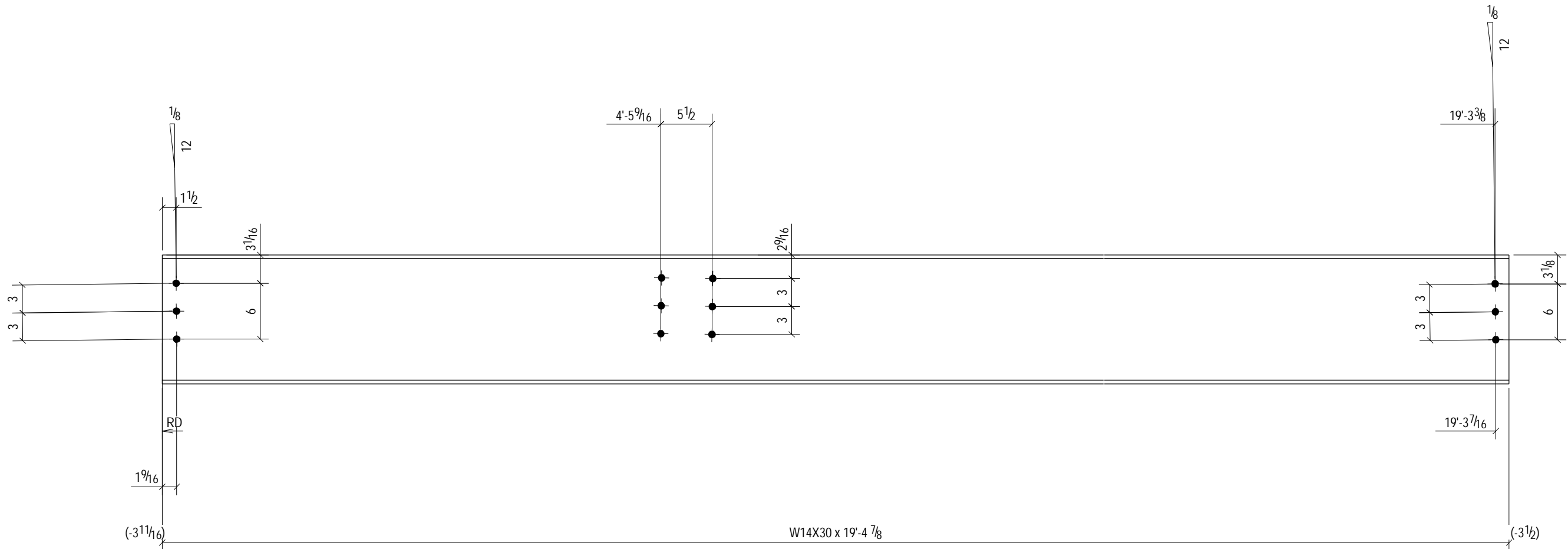
1		B60	BEAM		627		
1	1		W14X30	19'-10 1/8"	598	B60	A572-GR.50
4	4	a37	L3-1/2X3-1/2X5/16	0'-8 1/2"	5		
2	2	p124	PL3/8X3 1/4	1'-1 1/16"	5		
6	6		3/4" Ø A325X_TC BOLT	2"			
TOTAL QTY	UNIT QTY	MARK	DESCRIPTION	LENGTH	UNIT WT.	Adv Bill #	REMARKS

JOB REV	DWG REV	DATE	REMARKS
			STEEL GRADE: A36 (UN)
			STD HOLES: 13/16Ø (UN)
			SHOP BOLTS: 3/4Ø A325X_TC (UN)
			WELDS: E70XX (UN)
			SURF. PREP: SSPC-SP2 (UN)
			PAINT: _____



730 Madison Street
Wrentham, Mass 02093
Phone: (508) 384-5000

JOB NAME: Atlas Box & Crating Company			SHT. B60
JOB LOCATION: Sutton, MA			
CONTRACTOR:			
DWG. TITLE Assembly Beam Detail			
DRAWN BY: KB	CHK'D BY: CM	JOB NUMBER	0
DATE: 01/22/2009	DATE: 01/26/2009	502-08	



Zone	GRID LOC.	Mk.	TOP ELEV.
13	11-11.5/J	B61	128'-8"7/16

1 RO.'d - BEAM - MK'd B61

W	13 13/16	X	1/4"
F	6 3/4"	X	3/8"

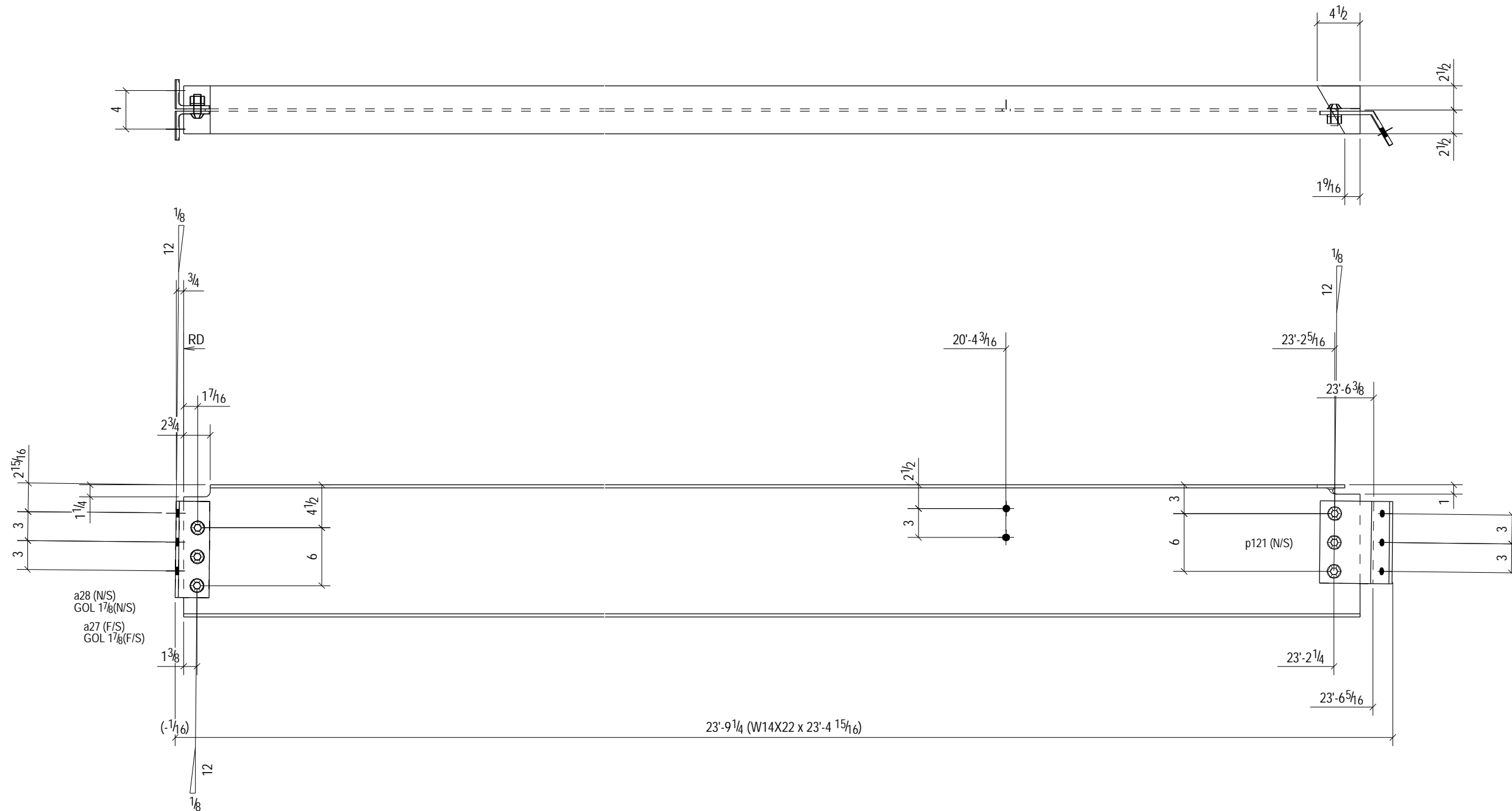
JOB REV	DWG REV	DATE	REMARKS
			STEEL GRADE: A36 (UN)
			STD HOLES: 13/16Ø (UN)
			SHOP BOLTS: 3/4Ø A325X_TC (UN)
			WELDS: E70XX (UN)
			SURF. PREP: SSPC-SP2 (UN)
			PAINT:



730 Madison Street
Wrentham, Mass 02093
Phone: (508) 384-5000

JOB NAME: Atlas Box & Crating Company	
JOB LOCATION: Sutton, MA	
CONTRACTOR:	
DWG. TITLE: Assembly Beam Detail	SHT.
DRAWN BY: KB	DATE: 01/22/2009
CHK'D BY: CM	DATE: 01/26/2009
JOB NUMBER: 502-08	0
B61	

1		B61	BEAM		584		
TOTAL QTY	UNIT QTY	MARK	DESCRIPTION	LENGTH	UNIT WT.	Adv Bill #	REMARKS
1	1		W14X30	19'-4 7/8"	584	B61	A572-GR.50



1 RO.'d - BEAM - Mk'd B85

W	13 13/16	X	1/4"
F	5"	X	5/16"

Zone	GRID LOC.	Mk.	TOP ELEV.
13	8-8.7/K-J	B85	128'-10"15/16"

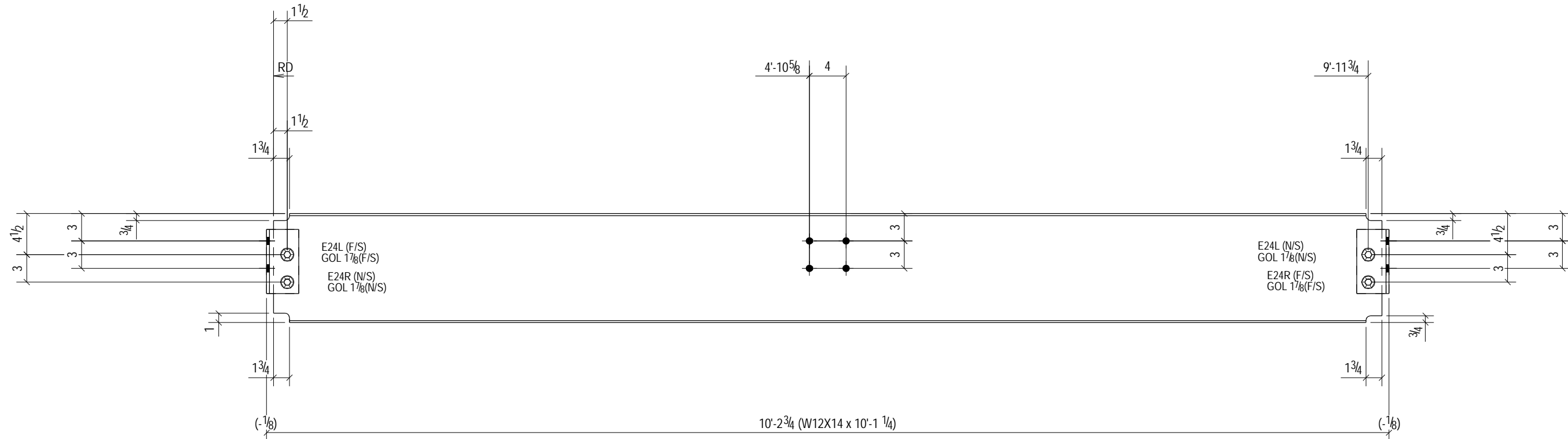
TOTAL QTY	UNIT QTY	MARK	DESCRIPTION	LENGTH	UNIT WT.	Adv Bill #	REMARKS
1		B85	BEAM		537		
1	1		W14X22	23'-4 15/16"	517	B85	A572-GR.50
1	1	a27	L3-1/2X3X5/16	0'-10"	6		
1	1	a28	L3-1/2X3X5/16	0'-10"	6		
1	1	p121	BPL3/8X8 9/16	0'-9 1/16"	8		
3	3		3/4" Ø A325X_TC BOLT	1 3/4"			
3	3		3/4" Ø A325X_TC BOLT	2"			

JOB REV	DWG REV	DATE	REMARKS
			STEEL GRADE: A36 (UN)
			STD HOLES: 13/16Ø (UN)
			SHOP BOLTS: 3/4Ø A325X_TC (UN)
			WELDS: E70XX (UN)
			SURF. PREP: SSPC-SP2 (UN)
			PAINT:



730 Madison Street
Wrentham, Mass 02093
Phone: (508) 384-5000

JOB NAME: Atlas Box & Crating Company			SHT. B85					
JOB LOCATION: Sutton, MA								
CONTRACTOR:			<table border="1"> <tr> <td>DWG. TITLE: Assembly Beam Detail</td> <td>DATE: 01/23/2009</td> <td>CHK'D BY: CM</td> <td>DATE: 01/26/2009</td> <td>JOB NUMBER: 502-08</td> </tr> </table>	DWG. TITLE: Assembly Beam Detail	DATE: 01/23/2009	CHK'D BY: CM	DATE: 01/26/2009	JOB NUMBER: 502-08
DWG. TITLE: Assembly Beam Detail	DATE: 01/23/2009	CHK'D BY: CM		DATE: 01/26/2009	JOB NUMBER: 502-08			
DRAWN BY: KB								



Zone	GRID LOC.	Mk.	TOP ELEV.
13	9-9.7/J-H	B105	128'-9\"/>
13	9-9.7/J-H	B105	128'-7\"/>

2 RO.'d - BEAM - Mk'd B105

W	11 15/16	X	1/4"
F	4"	X	1/4"

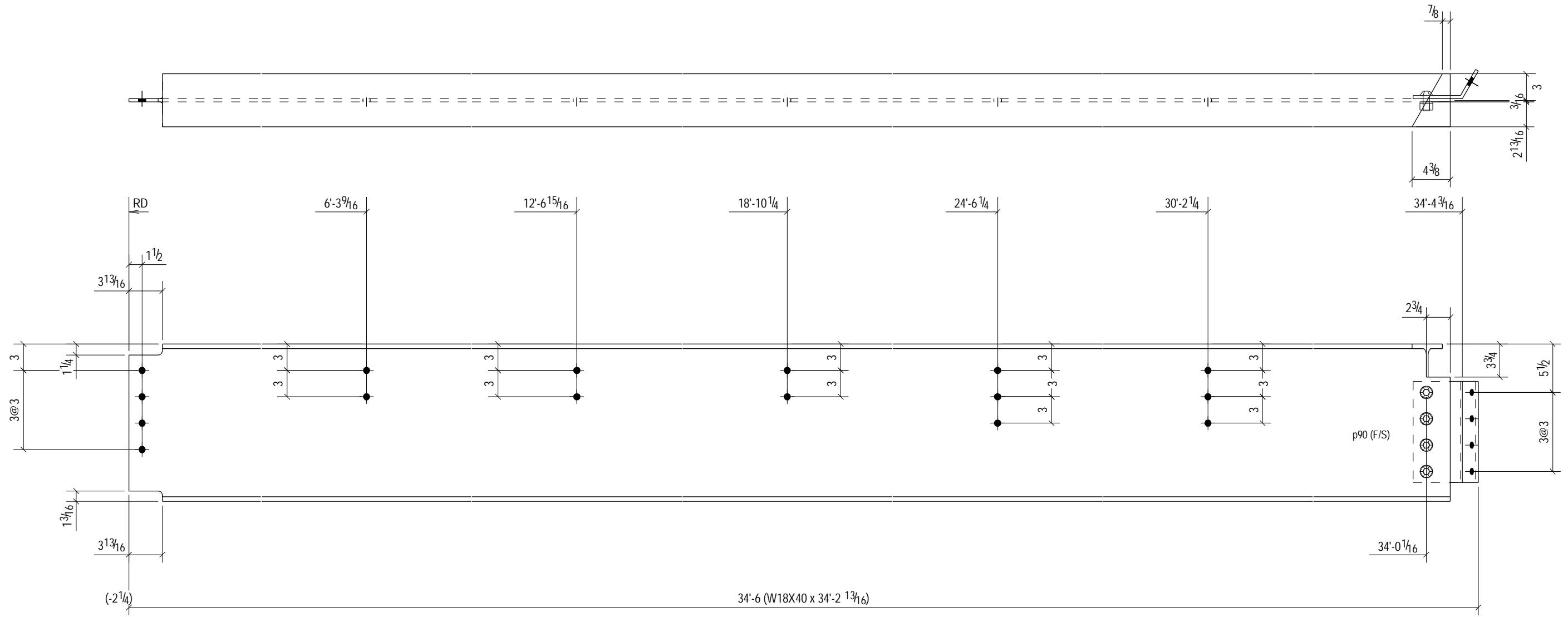
TOTAL QTY	UNIT QTY	MARK	DESCRIPTION	LENGTH	UNIT WT.	Adv Bill #	REMARKS
2		B105	BEAM		158		
2	1		W12X14	10'-1 1/4"	143	B105	A572-GR.50
4	2	E24L	L3-1/2X3X5/16	0'-7"	4		
4	2	E24R	L3-1/2X3X5/16	0'-7"	4		
8	4		3/4" Ø A325X_TC BOLT	2"			

JOB REV	DWG REV	DATE	REMARKS
			STEEL GRADE: A36 (UN)
			STD HOLES: 13/16Ø (UN)
			SHOP BOLTS: 3/4Ø A325X_TC (UN)
			WELDS: E70XX (UN)
			SURF. PREP: SSPC-SP2 (UN)
			PAINT:



730 Madison Street
Wrentham, Mass 02093
Phone: (508) 384-5000

JOB NAME: Atlas Box & Crating Company		
JOB LOCATION: Sutton, MA		
CONTRACTOR:		
DWG. TITLE Assembly Beam Detail		SHT.
DRAWN BY: KB	CHK'D BY: CM	JOB NUMBER
DATE: 01/22/2009	DATE: 01/26/2009	502-08
		0
		B105



1 RO.'d - BEAM - Mk'd B113

W	17 7/8"	X	3/8"
F	6"	X	1/2"

Zone	GRID LOC.	Mk.	TOP ELEV.
13	8.5-8.7/K-J	B113	113'-9"

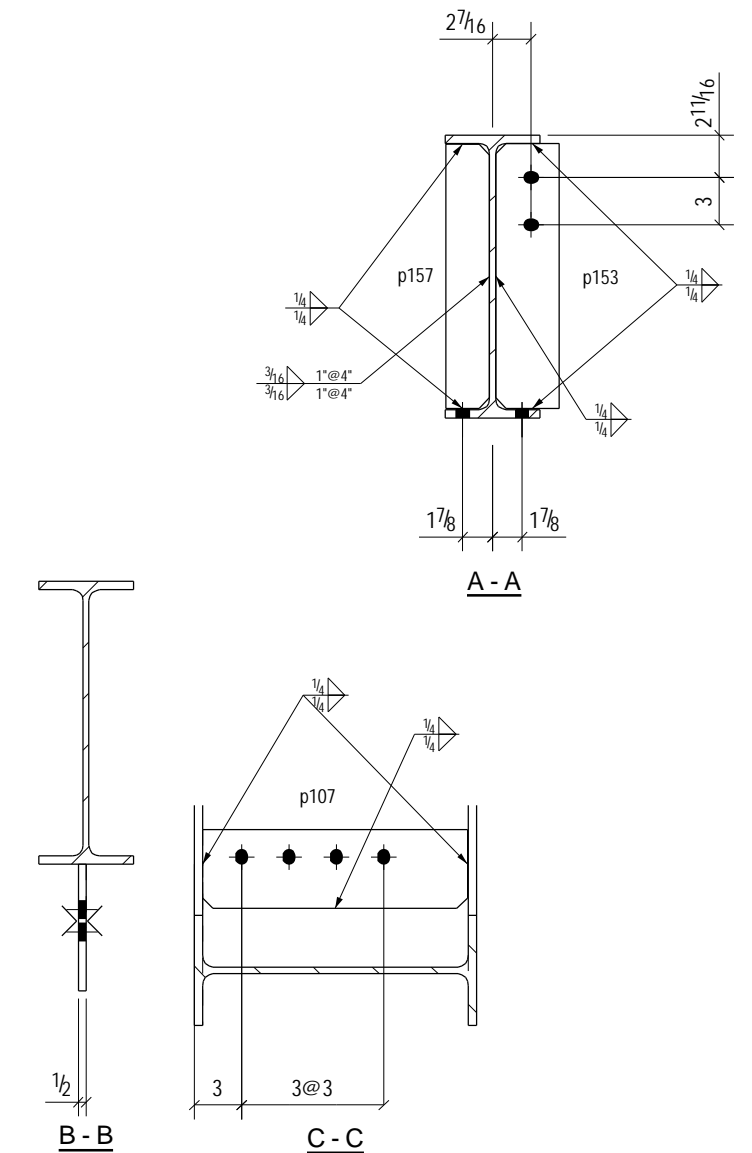
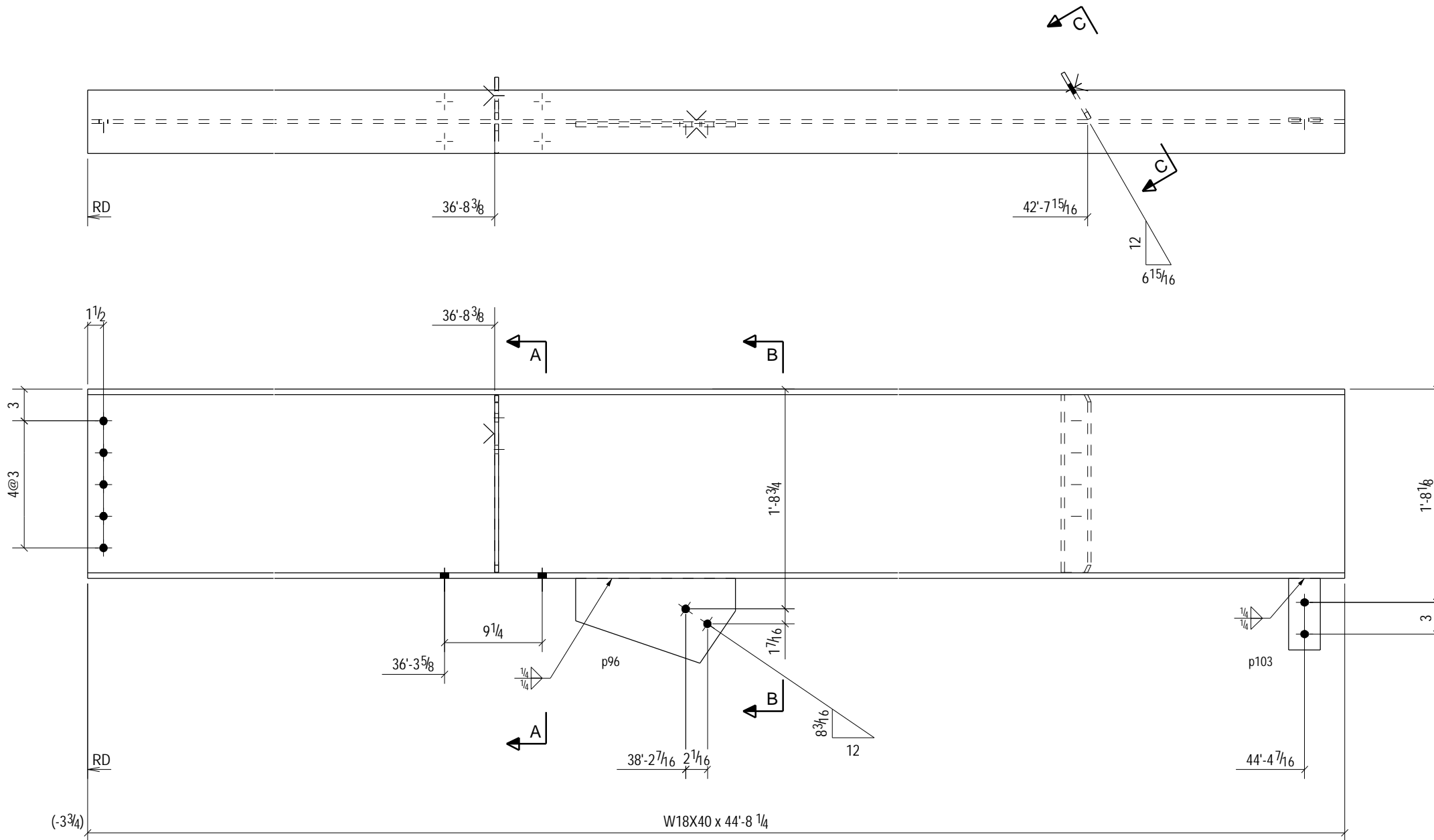
TOTAL QTY	UNIT QTY	MARK	DESCRIPTION	LENGTH	UNIT WT.	Adv Bill #	REMARKS
1		B113	BEAM		1386		
1	1		W18X40	34'-2 13/16"	1375	B113	A572-GR.50
1	1	p90	BPL3/8X8 13/16	0'-11 1/2"	11		
4	4		3/4" Ø A325X_TC BOLT	1 3/4"			

JOB REV	DWG REV	DATE	REMARKS
			STEEL GRADE: A36 (UN)
			STD HOLES: 13/16Ø (UN)
			SHOP BOLTS: 3/4Ø A325X_TC (UN)
			WELDS: E70XX (UN)
			SURF. PREP: SSPC-SP2 (UN)
			PAINT:



730 Madison Street
Wrentham, Mass 02093
Phone: (508) 384-5000

JOB NAME: Atlas Box & Crating Company		
JOB LOCATION: Sutton, MA		
CONTRACTOR:		
DWG. TITLE Assembly Beam Detail		SHT.
DRAWN BY: KB	CHK'D BY: CM	JOB NUMBER
DATE: 01/22/2009	DATE: 01/26/2009	502-08
		0
		B113



1 RO.'d - BEAM - Mk'd B114

W	17 7/8"	X	3/8"
F	6"	X	1/2"

Zone	GRID LOC.	Mk.	TOP ELEV.
13	7.8-8.7/H	B114	128'-11"

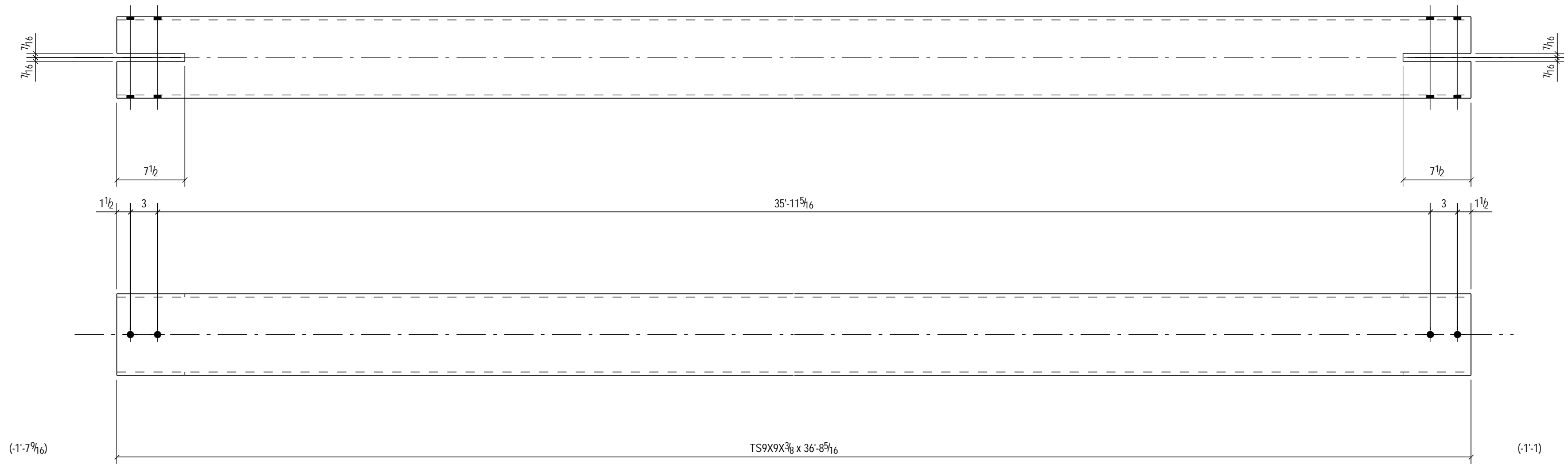
1		B114	BEAM		1835		
1	1		W18X40	44'-8 1/4"	1795	B114	A572-GR.50
1	1	p96	PL1/2X8	1'-3 1/8"	17		
1	1	p103	FB3/8X3	0'-6 3/4"	2		
1	1	p107	FB3/8X5	1'-4 13/16"	9		
1	1	p153	FB3/8X4	1'-4 3/4"	7		
1	1	p157	FB3/8X2 3/4	1'-4 11/16"	5		
TOTAL QTY	UNIT QTY	MARK	DESCRIPTION	LENGTH	UNIT WT.	Adv Bill #	REMARKS

JOB REV	DWG REV	DATE	REMARKS
			STEEL GRADE: A36 (UN)
			STD HOLES: 13/16Ø (UN)
			SHOP BOLTS: 3/4Ø A325X_TC (UN)
			WELDS: E70XX (UN)
			SURF. PREP: SSPC-SP2 (UN)
			PAINT: _____



730 Madison Street
Wrentham, Mass 02093
Phone: (508) 384-5000

JOB NAME: Atlas Box & Crating Company		
JOB LOCATION: Sutton, MA		
CONTRACTOR:		
DWG. TITLE Assembly Beam Detail		SHT.
DRAWN BY: KB DATE: 01/22/2009	CHK'D BY: CM DATE: 01/26/2009	JOB NUMBER 502-08
		<div style="border: 1px solid black; width: 20px; height: 20px; display: flex; align-items: center; justify-content: center;">0</div> B114

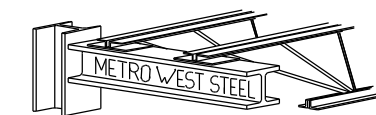


Zone	GRID LOC.	Mk.	TOP ELEV.
4	10/F.5-F	BR1	127'-1 1/5/16
6	10/B-A.5	BR1	127'-1 1/5/16
7	11/B-A.5	BR1	127'-1 1/5/16
9	11/F.5-F	BR1	127'-1 1/5/16

4 RO.'d - BRACE - Mk'd BR1

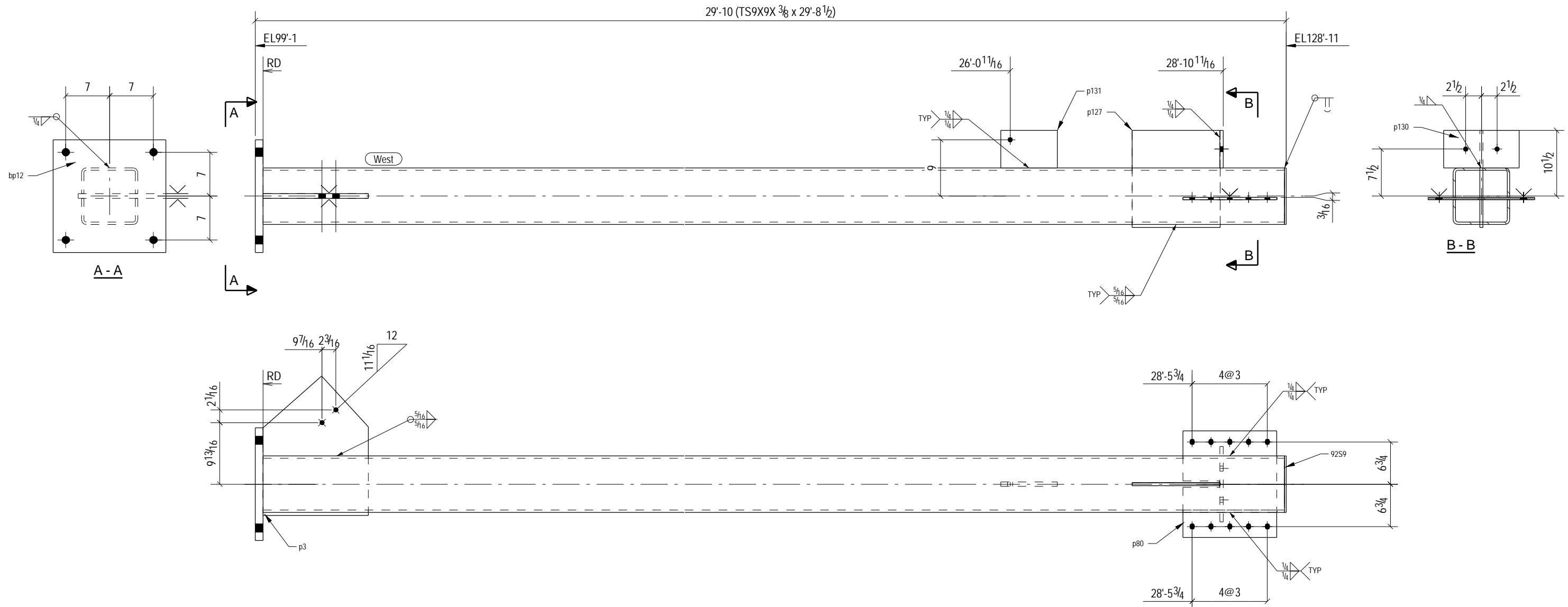
TOTAL QTY	UNIT QTY	MARK	DESCRIPTION	LENGTH	UNIT WT.	Adv Bill #	REMARKS
4		BR1	BRACE		1473		
4	1		TS9X9X3/8	36'-8 5/16"	1473	BR1	A500-GR.B

JOB REV	DWG REV	DATE	REMARKS
			STEEL GRADE: A36 (UN)
			STD HOLES: 13/16Ø (UN)
			SHOP BOLTS: 3/4Ø A325X_TC (UN)
			WELDS: E70XX (UN)
			SURF. PREP: SSPC-SP2 (UN)
			PAINT:



730 Madison Street
Wrentham, Mass 02093
Phone: (508) 384-5000

JOB NAME: Atlas Box & Crating Company			SHT. BR1						
JOB LOCATION: Sutton, MA									
CONTRACTOR:			<table border="1"> <tr> <td>DRAWN BY: KB</td> <td>CHK'D BY: CM</td> <td>JOB NUMBER</td> </tr> <tr> <td>DATE: 01/22/2009</td> <td>DATE: 01/26/2009</td> <td>502-08</td> </tr> </table>	DRAWN BY: KB	CHK'D BY: CM	JOB NUMBER	DATE: 01/22/2009	DATE: 01/26/2009	502-08
DRAWN BY: KB	CHK'D BY: CM	JOB NUMBER							
DATE: 01/22/2009	DATE: 01/26/2009	502-08							
DWG. TITLE: Assembly Brace Detail									



1 RO.'d - COLUMN - Mk'd C1

Zone	GRID LOC.	Mk.	TOP ELEV.
4	10/F	C1	128'-11"

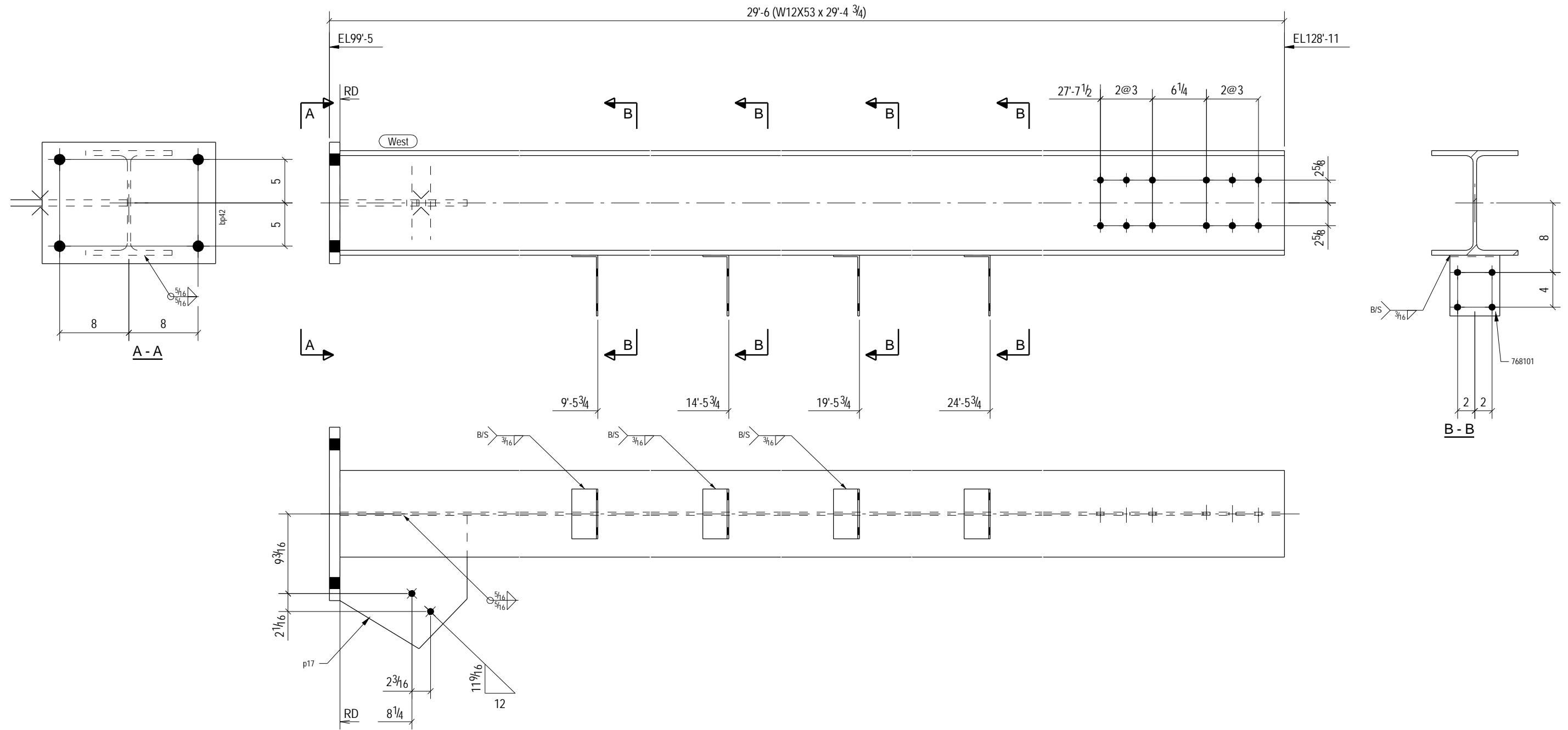
TOTAL QTY	UNIT QTY	MARK	DESCRIPTION	LENGTH	UNIT WT.	Adv Bill #	REMARKS
1		C1	COLUMN		1473		
1	1		TS9X9X3/8	29'-8 1/2"	1193	C1	A500-GR.B
1	1	92S9	FB1/4X9	0'-9"	6		
1	1	bp12	PL1 1/4X18	1'-6"	115		
1	1	p3	PL3/4X16 13/16	1'-10 1/4"	80		
1	1	p80	PL3/8X15	1'-5"	27		
1	1	p127	PL1/2X14	1'-3 1/2"	31		
1	1	p130	PL1/2X6	1'-0"	10		
1	1	p131	PL3/4X6	0'-9"	11		

JOB REV	DWG REV	DATE	REMARKS
			STEEL GRADE: A36 (UN)
			STD HOLES: 13/16Ø (UN)
			SHOP BOLTS: 3/4Ø A325X_TC (UN)
			WELDS: E70XX (UN)
			SURF. PREP: SSPC-SP2 (UN)
			PAINT:



730 Madison Street
Wrentham, Mass 02093
Phone: (508) 384-5000

JOB NAME: Atlas Box & Crating Company			SHT. C1
JOB LOCATION: Sutton, MA			
CONTRACTOR:			
DWG. TITLE: Assembly TS Column Detail		DATE: 01/22/2009	502-08
DRAWN BY: KB	CHK'D BY: CM	JOB NUMBER	
DATE: 01/22/2009	DATE: 01/26/2009	502-08	



1 RQ.'d - COLUMN - Mk'd C4

W	12 1/16"	X	3/8"
F	10"	X	9/16"

Zone	GRID LOC.	Mk.	TOP ELEV.
11	18/C.5	C4	128'-11"

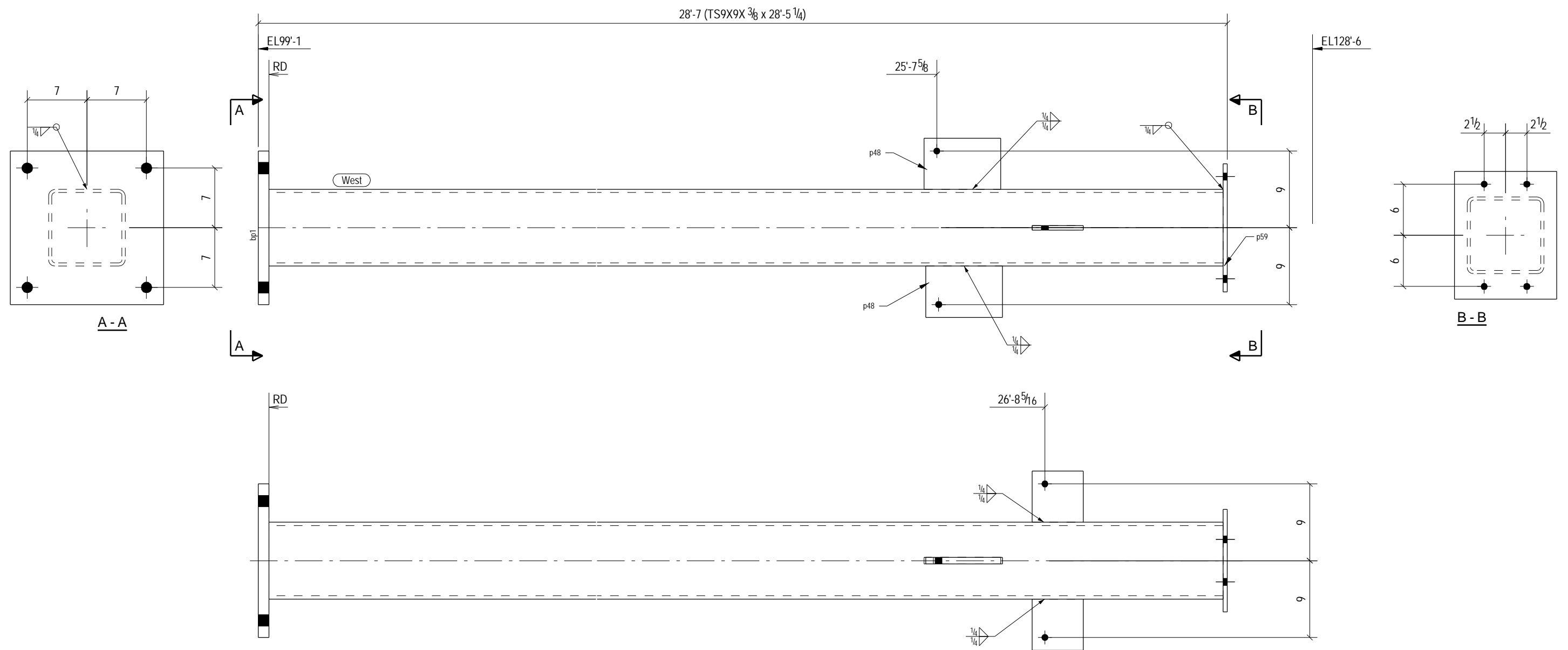
TOTAL QTY	UNIT QTY	MARK	DESCRIPTION	LENGTH	UNIT WT.	Adv Bill #	REMARKS
1		C4	COLUMN		1742		
1	1		W12X53	29'-4 3/4"	1561	C4	A572-GR.50
4	4	768101	L7X3X8GA	0'-5 3/4"	9		
1	1	bp42	PL1 1/4X14	1'-8"	99		
1	1	p17	PL3/4X14 5/8	1'-3 3/8"	48		

JOB REV	DWG REV	DATE	REMARKS
			STEEL GRADE: A36 (UN)
			STD HOLES: 13/16Ø (UN)
			SHOP BOLTS: 3/4Ø A325X_TC (UN)
			WELDS: E70XX (UN)
			SURF. PREP: SSPC-SP2 (UN)
			PAINT: _____



730 Madison Street
Wrentham, Mass 02093
Phone: (508) 384-5000

JOB NAME: Atlas Box & Crating Company			SHT. C4
JOB LOCATION: Sutton, MA			
CONTRACTOR:			
DWG. TITLE: Assembly Column Detail		DATE: 01/22/2009	
DRAWN BY: KB	CHK'D BY: CM	JOB NUMBER	0
DATE: 01/22/2009	DATE: 01/26/2009	502-08	



Zone	GRID LOC.	Mk.	TOP ELEV.
7	14/B	C5	127'-8"
8	14/D	C5	127'-8"
9	14/F	C5	127'-8"

3 RO.'d - COLUMN - Mk'd C5

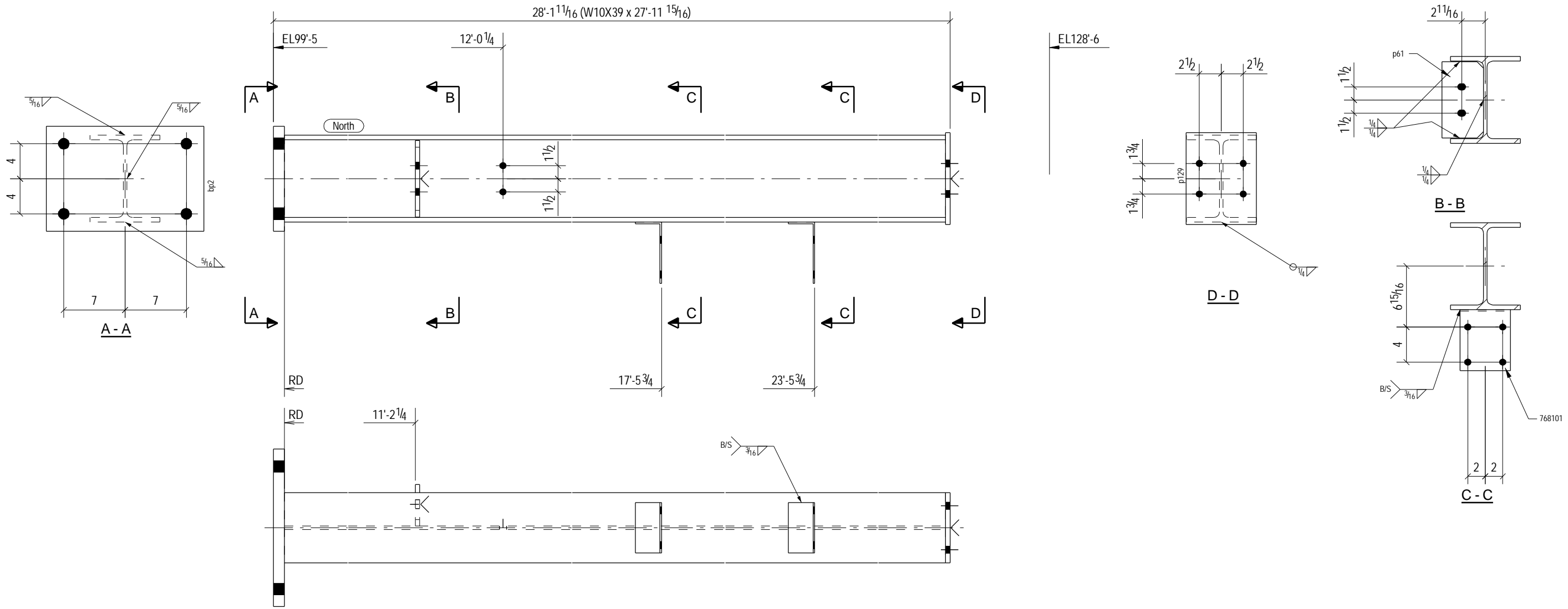
TOTAL QTY	UNIT QTY	MARK	DESCRIPTION	LENGTH	UNIT WT.	Adv Bill #	REMARKS
3		C5	COLUMN		1316		
3	1		TS9X9X3/8	28'-5 1/4"	1142	C5	A500-GR.B
3	1	bp1	PL1 1/4X18	1'-6"	115		
6	2	p48	FB3/4X6	0'-9"	12		
6	2	p57	FB1/2X6	0'-6"	5		
3	1	p59	FB1/2X12	1'-3"	26		

JOB REV	DWG REV	DATE	REMARKS
			STEEL GRADE: A36 (UN)
			STD HOLES: 13/16Ø (UN)
			SHOP BOLTS: 3/4Ø A325X_TC (UN)
			WELDS: E70XX (UN)
			SURF. PREP: SSPC-SP2 (UN)
			PAINT:



730 Madison Street
Wrentham, Mass 02093
Phone: (508) 384-5000

JOB NAME: Atlas Box & Crating Company			SHT. C5
JOB LOCATION: Sutton, MA			
CONTRACTOR:			
DWG. TITLE: Assembly TS Column Detail		JOB NUMBER 502-08	0
DRAWN BY: KB	CHK'D BY: CM		
DATE: 01/22/2009	DATE: 01/27/2009		




1 RO.'d - COLUMN - Mk'd C9

W	9 15/16"	X	3/8"
F	8"	X	1/2"

Zone	GRID LOC.	Mk.	TOP ELEV.
4	7.8/G	C9	127'-6 11/16"

TOTAL QTY	UNIT QTY	MARK	DESCRIPTION	LENGTH	UNIT WT.	Adv Bill #	REMARKS
1		C9	COLUMN		1207		
1	1		W10X39	27'-11 15/16"	1096	C9	A572-GR.50
2	2	768101	L7X3X8GA	0'-5 3/4"	9		
1	1	bp2	PL1 1/4X12	1'-6"	77		
1	1	p61	FB1/2X4 3/4	0'-8 3/4"	6		
1	1	p129	FB1/2X8	0'-10 1/2"	12		

JOB REV	DWG REV	DATE	REMARKS
			STEEL GRADE: A36 (UN)
			STD HOLES: 13/16Ø (UN)
			SHOP BOLTS: 3/4Ø A325X_TC (UN)
			WELDS: E70XX (UN)
			SURF. PREP: SSPC-SP2 (UN)
			PAINT:



730 Madison Street
Wrentham, Mass 02093
Phone: (508) 384-5000

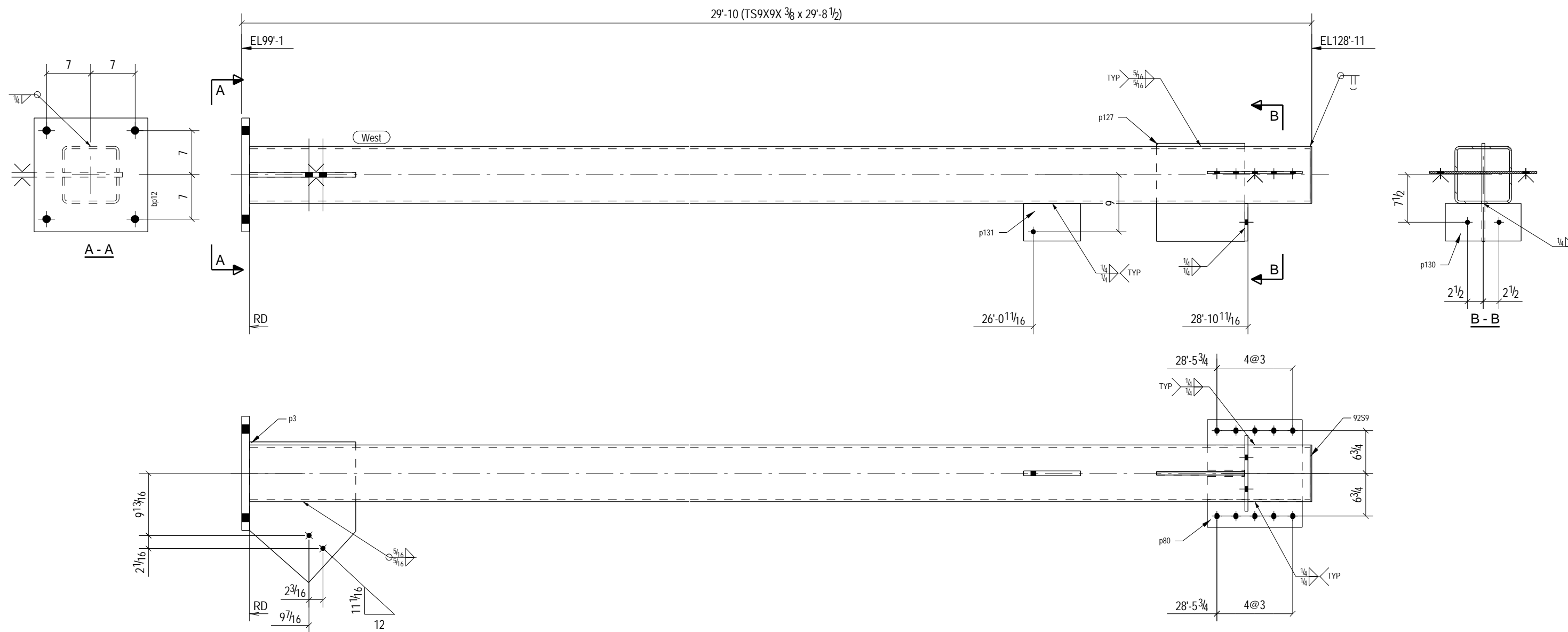
JOB NAME: Atlas Box & Crating Company

JOB LOCATION: Sutton, MA

CONTRACTOR:

DWG. TITLE Assembly Column Detail		SHT.
DRAWN BY: KB DATE: 01/22/2009	CHK'D BY: CM DATE: 01/26/2009	JOB NUMBER 502-08

C9



1 RO.'d - COLUMN - Mk'd C10

Zone	GRID LOC.	Mk.	TOP ELEV.
7	11/B	C10	128'-11"

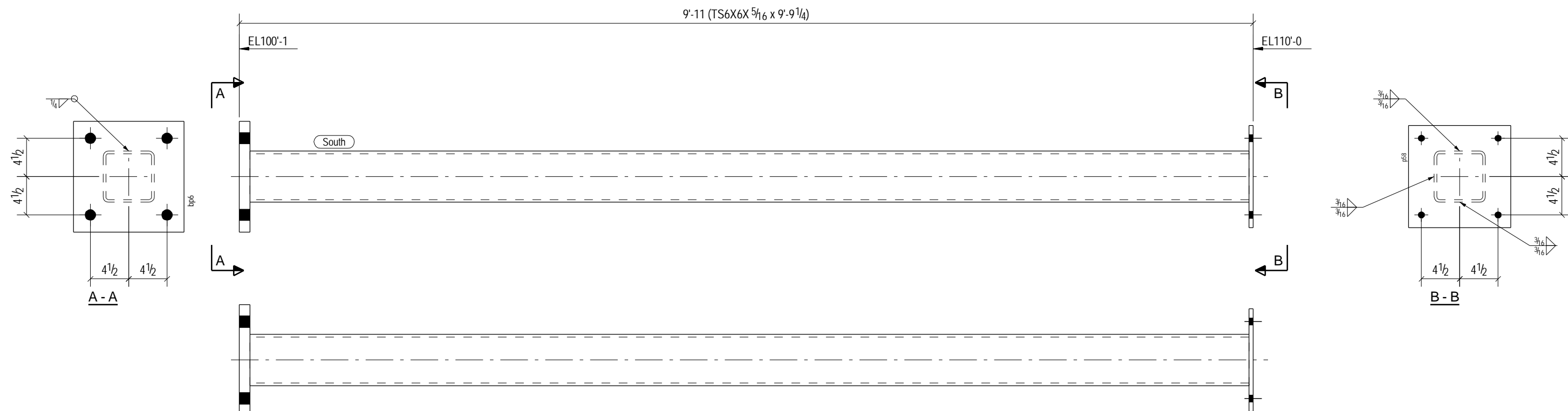
TOTAL QTY	UNIT QTY	MARK	DESCRIPTION	LENGTH	UNIT WT.	Adv Bill #	REMARKS
1		C10	COLUMN		1473		
1	1		TS9X9X3/8	29'-8 1/2"	1193	C10	A500-GR.B
1	1	92S9	FB1/4X9	0'-9"	6		
1	1	bp12	PL1 1/4X18	1'-6"	115		
1	1	p3	PL3/4X16 13/16	1'-10 1/4"	80		
1	1	p80	PL3/8X15	1'-5"	27		
1	1	p127	PL1/2X14	1'-3 1/2"	31		
1	1	p130	PL1/2X6	1'-0"	10		
1	1	p131	PL3/4X6	0'-9"	11		

JOB REV	DWG REV	DATE	REMARKS
			STEEL GRADE: A36 (UN)
			STD HOLES: 13/16Ø (UN)
			SHOP BOLTS: 3/4Ø A325X_TC (UN)
			WELDS: E70XX (UN)
			SURF. PREP: SSPC-SP2 (UN)
			PAINT:



730 Madison Street
Wrentham, Mass 02093
Phone: (508) 384-5000

JOB NAME: Atlas Box & Crating Company			SHT. C10
JOB LOCATION: Sutton, MA			
CONTRACTOR:			
DWG. TITLE: Assembly TS Column Detail		502-08	
DRAWN BY: KB	CHK'D BY: CM	JOB NUMBER	
DATE: 01/22/2009	DATE: 01/26/2009	0	



Zone	GRID LOC.	Mk.	TOP ELEV.
13	Y/53	C21	110'-0"
13	Y/54	C21	110'-0"
13	Z/54	C21	110'-0"
13	Z/53	C21	110'-0"

4 RQ.'d - COLUMN - Mk'd C21

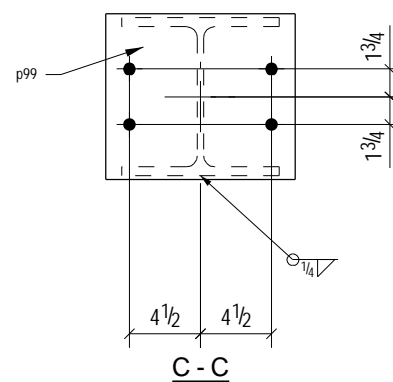
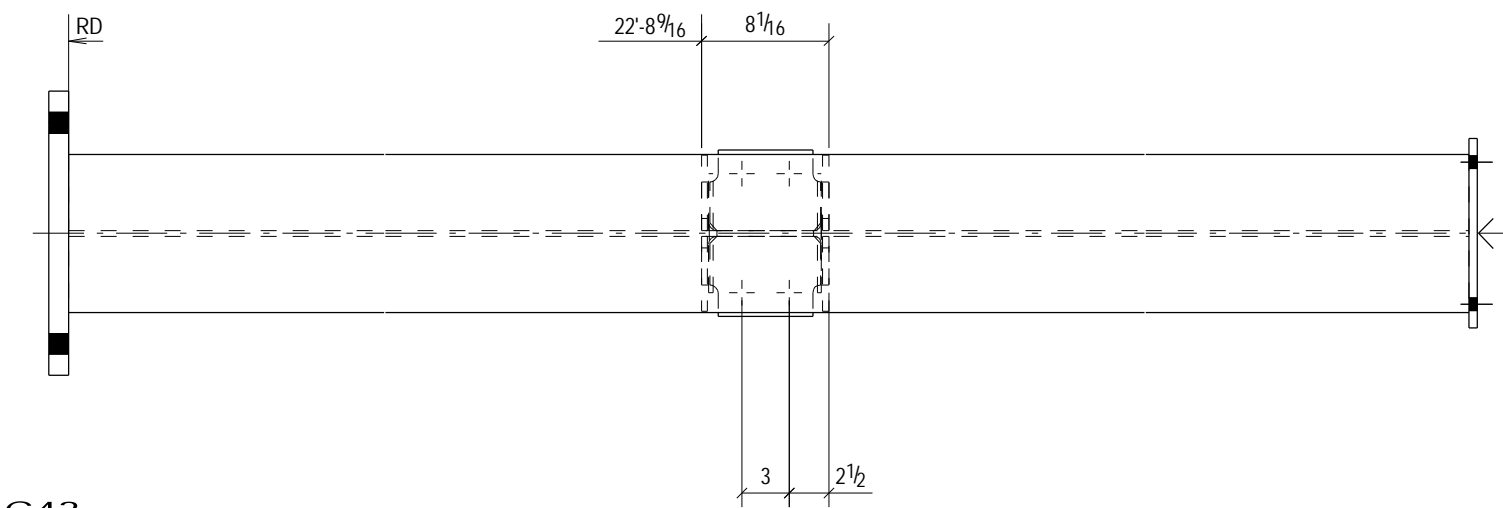
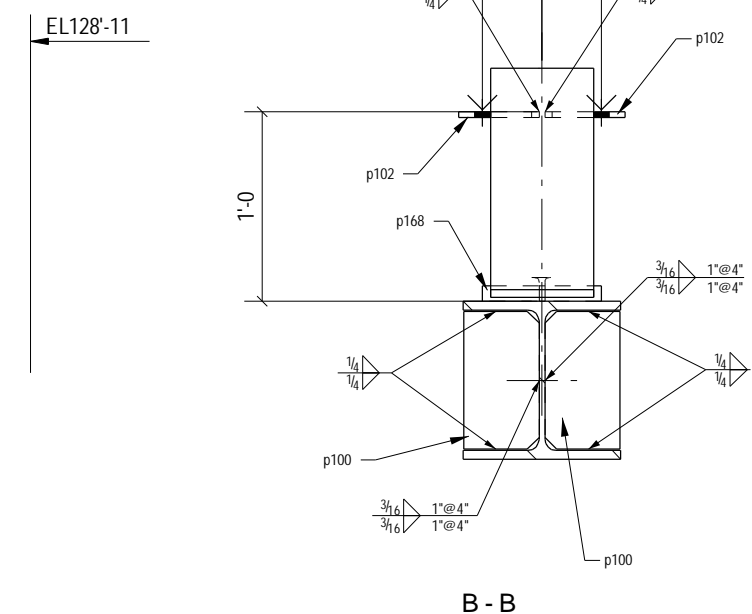
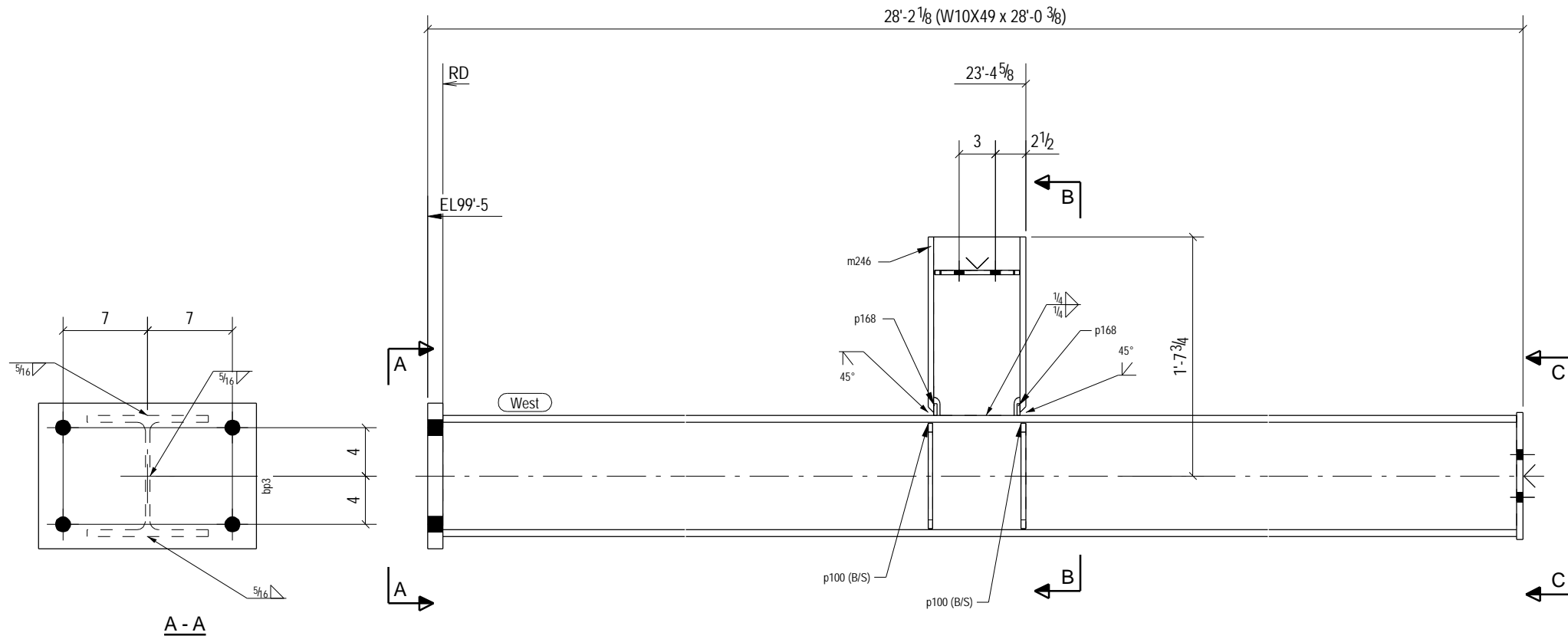
TOTAL QTY	UNIT QTY	MARK	DESCRIPTION	LENGTH	UNIT WT.	Adv Bill #	REMARKS
4		C21	COLUMN		294		
4	1		TS6X6X5/16	9'-9 1/4"	214	C21	A500-GR.B
4	1	bp6	PL1 1/4X13	1'-1"	60		
4	1	p58	FB1/2X12	1'-0"	20		

JOB REV	DWG REV	DATE	REMARKS
			STEEL GRADE: A36 (UN)
			STD HOLES: 13/16Ø (UN)
			SHOP BOLTS: 3/4Ø A325X_TC (UN)
			WELDS: E70XX (UN)
			SURF. PREP: SSPC-SP2 (UN)
			PAINT: _____



730 Madison Street
Wrentham, Mass 02093
Phone: (508) 384-5000

JOB NAME: Atlas Box & Crating Company			SHT. C21
JOB LOCATION: Sutton, MA			
CONTRACTOR:			
DWG. TITLE: Assembly TS Column Detail		JOB NUMBER: 502-08	
DRAWN BY: KB	CHK'D BY: CM	DATE: 01/26/2009	
DATE: 01/22/2009	DATE: 01/26/2009	0	



1 RO.'d - COLUMN - MK'd C43

W	10"	X	3/8"
F	10"	X	9/16"

Zone	GRID LOC.	Mk.	TOP ELEV.
13	X/55	C43	127'-7 1/8"

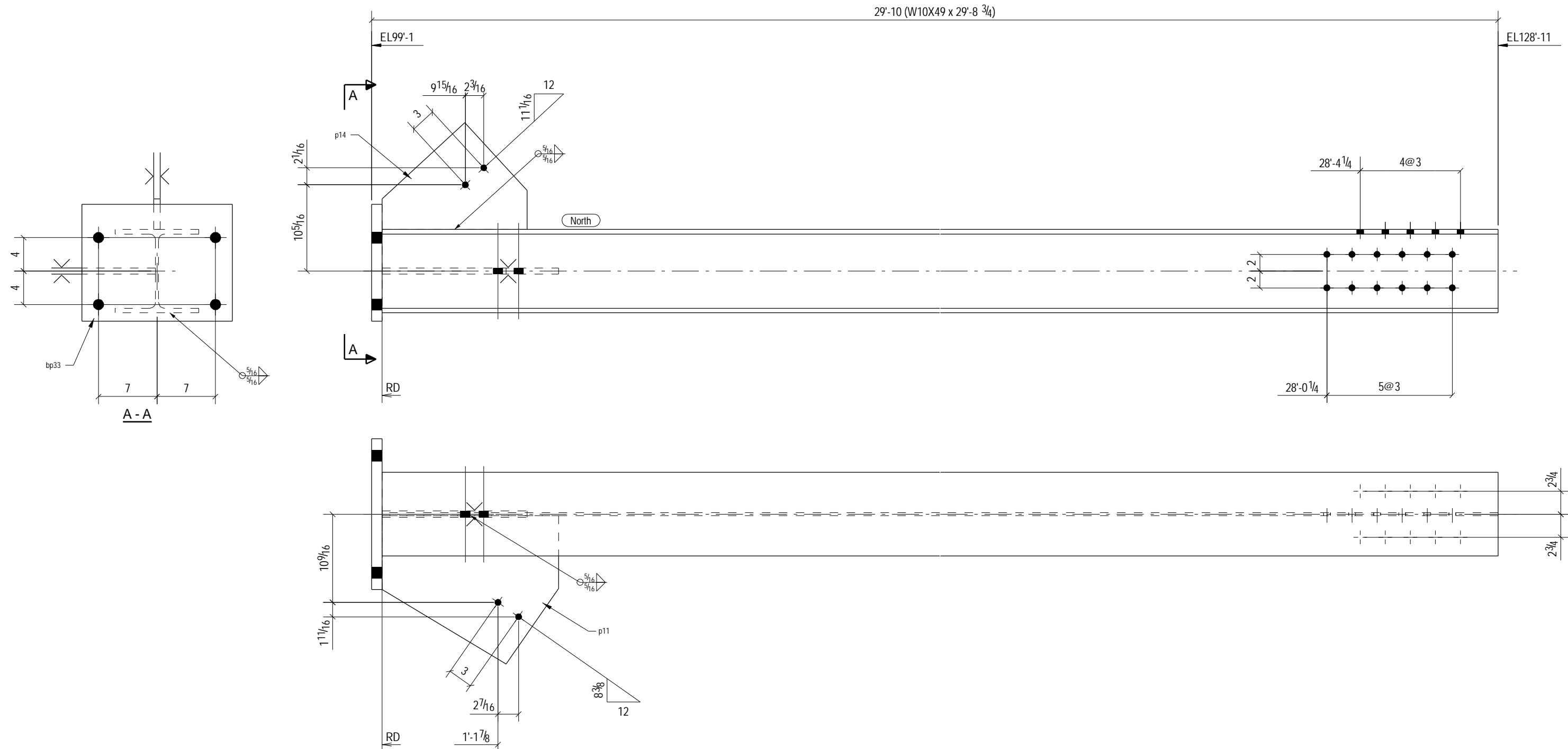
TOTAL QTY	UNIT QTY	MARK	DESCRIPTION	LENGTH	UNIT WT.	Adv Bill #	REMARKS
1		C43	COLUMN		1529		
1	1		W10X49	28'-0 3/8"	1374	C43	A572-GR.50
1	1	bp3	PL1 1/4X12	1'-6"	77		
1	1	m246	W8X28	1'-2 3/4"	35		A572-GR.50
1	1	p99	FB1/2X10 1/2	1'-0"	18		
4	4	p100	FB3/8X4 3/4	0'-8 3/4"	4		
2	2	p102	PL3/8X5 1/16	0'-7"	4		
2	2	p168	FB1/4X1	0'-7 9/16"	1		

JOB REV	DWG REV	DATE	REMARKS
			STEEL GRADE: A36 (UN)
			STD HOLES: 13/16Ø (UN)
			SHOP BOLTS: 3/4Ø A325X_TC (UN)
			WELDS: E70XX (UN)
			SURF. PREP: SSPC-SP2 (UN)
			PAINT: _____



730 Madison Street
Wrentham, Mass 02093
Phone: (508) 384-5000

JOB NAME: Atlas Box & Crating Company		
JOB LOCATION: Sutton, MA		
CONTRACTOR:		
DWG. TITLE: Assembly Column Detail		SHT.:
DRAWN BY: KB	CHK'D BY: CM	JOB NUMBER
DATE: 01/22/2009	DATE: 01/26/2009	502-08
		0
		C43




Zone	GRID LOC.	Mk.	TOP ELEV.
9	11/G	C52	128'-11"

1 RQ.'d - COLUMN - Mk'd C52

W	10"	X	3/8"
F	10"	X	9/16"

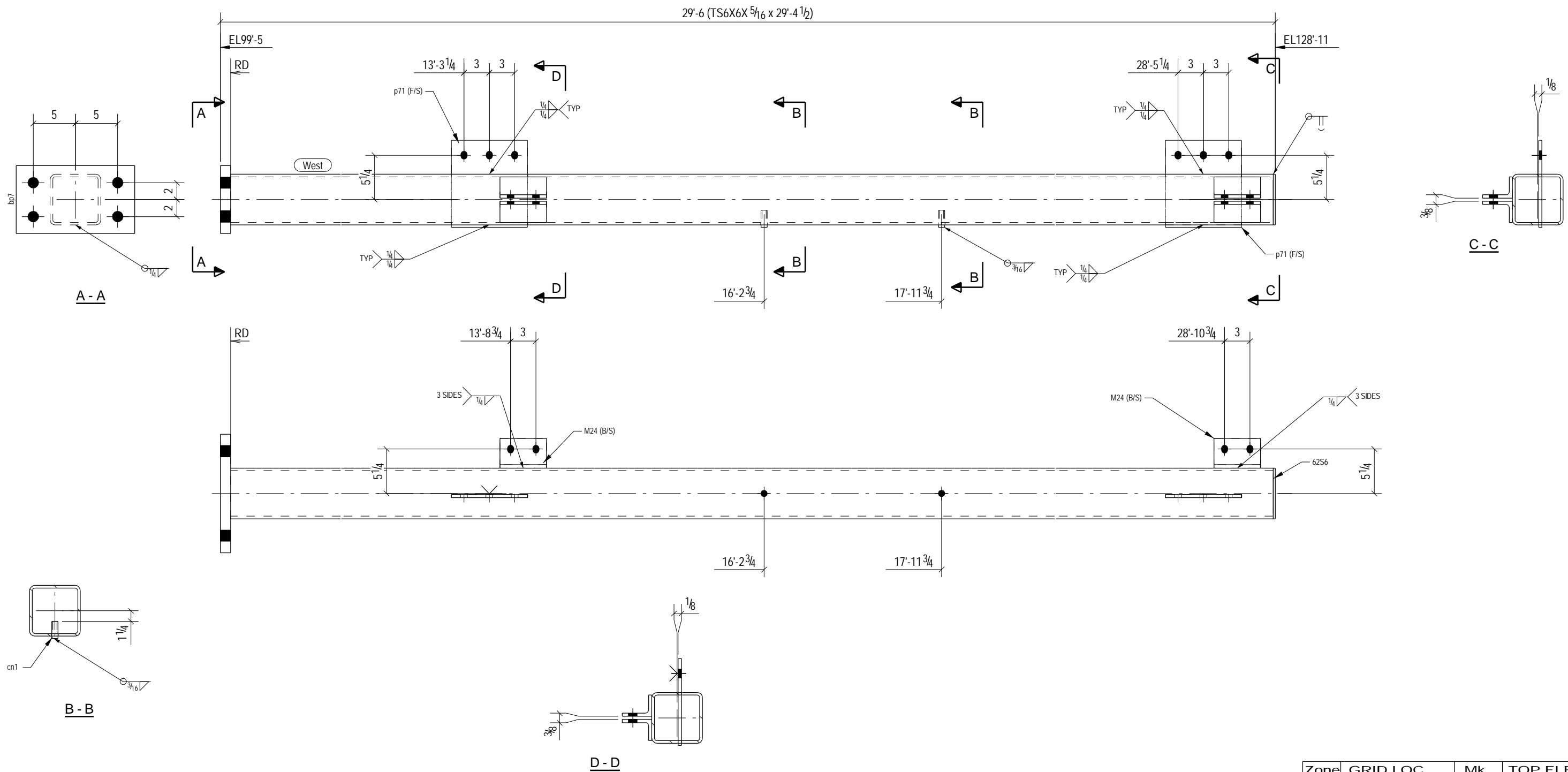
TOTAL QTY	UNIT QTY	MARK	DESCRIPTION	LENGTH	UNIT WT.	Adv Bill #	REMARKS
1		C52	COLUMN		1673		
1	1		W10X49	29'-8 3/4"	1457	C52	A572-GR.50
1	1	bp33	PL1 1/4X14	1'-6"	89		
1	1	p11	PL3/4X17 3/4	1'-9 1/8"	80		
1	1	p14	PL3/4X12 3/4	1'-5 5/16"	47		

JOB REV	DWG REV	DATE	REMARKS
			STEEL GRADE: A36 (UN)
			STD HOLES: 13/16Ø (UN)
			SHOP BOLTS: 3/4Ø A325X_TC (UN)
			WELDS: E70XX (UN)
			SURF. PREP: SSPC-SP2 (UN)
			PAINT:



730 Madison Street
Wrentham, Mass 02093
Phone: (508) 384-5000

JOB NAME: Atlas Box & Crating Company			SHT. C52
JOB LOCATION: Sutton, MA			
CONTRACTOR:			
DWG. TITLE: Assembly Column Detail		JOB NUMBER: 502-08	
DRAWN BY: KB	CHK'D BY: CM	DATE: 01/26/2009	
DATE: 01/22/2009	DATE: 01/26/2009	0	




1 RO.'d - COLUMN - Mk'd C54

Zone	GRID LOC.	Mk.	TOP ELEV.
14	14/H	C54	128'-11"

TOTAL QTY	UNIT QTY	MARK	DESCRIPTION	LENGTH	UNIT WT.	Adv Bill #	REMARKS
1		C54	COLUMN		718		
1	1		TS6X6X5/16	29'-4 1/2"	643	C54	A500-GR.B
1	1	62S6	FB1/4X6	0'-6"	3		
4	4	M24	L3-1/2X2-1/2X3/8	0'-5 1/2"	3		
1	1	bp7	PL1 1/4X8	1'-2"	40		
2	2	cn1	COUPLING NUT-1/2Ø	0'-2"	0		
2	2	p71	FB3/8X9	0'-10 1/4"	10		

JOB REV	DWG REV	DATE	REMARKS
			STEEL GRADE: A36 (UN)
			STD HOLES: 13/16Ø (UN)
			SHOP BOLTS: 3/4Ø A325X_TC (UN)
			WELDS: E70XX (UN)
			SURF. PREP: SSPC-SP2 (UN)
			PAINT:



730 Madison Street
Wrentham, Mass 02093
Phone: (508) 384-5000

JOB NAME: Atlas Box & Crating Company

JOB LOCATION: Sutton, MA

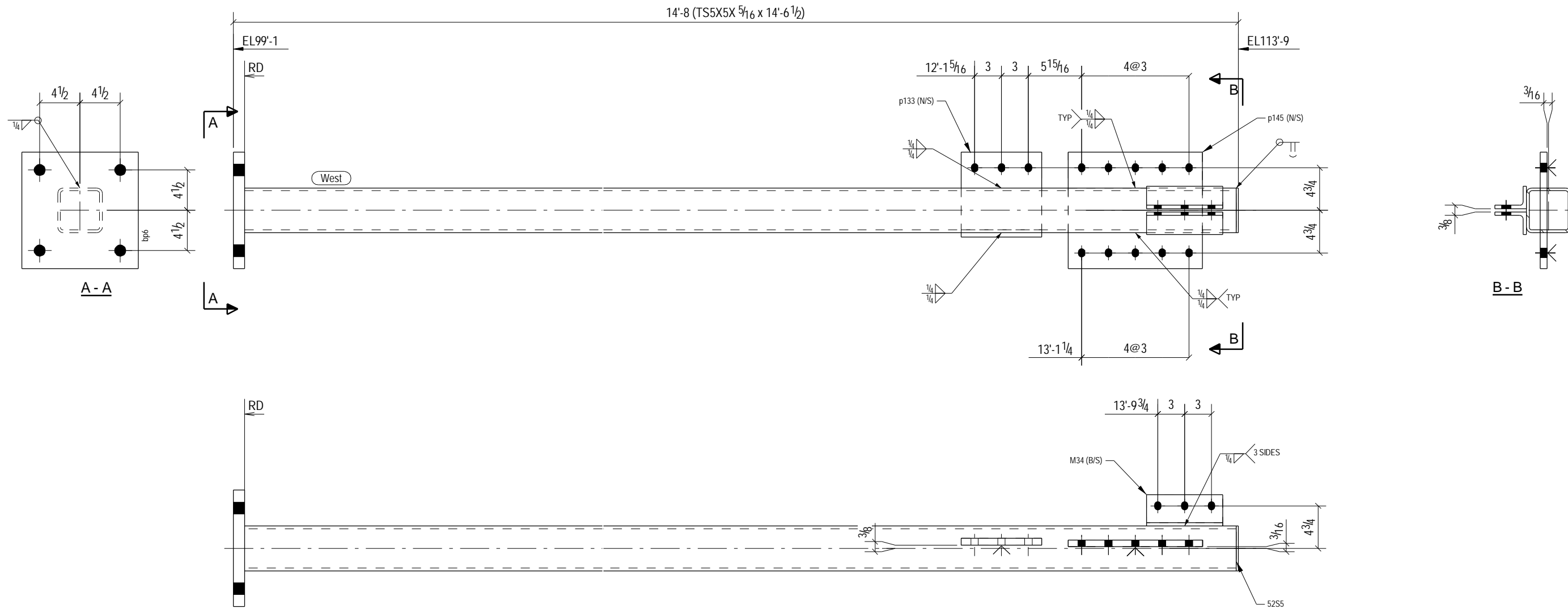
CONTRACTOR:

DWG. TITLE: Assembly TS Column Detail

DATE: 01/22/2009

SHT.

C54



1 RO.'d - COLUMN - Mk'd C115

Zone	GRID LOC.	Mk.	TOP ELEV.
3	2.5/F.5-F	C115	113'-9"

JOB REV	DWG REV	DATE	REMARKS
1			
1	1		
1	1		
2	2		
1	1		
1	1		
1	1		
TOTAL QTY	UNIT QTY	MARK	DESCRIPTION
			LENGTH
			UNIT WT.
		Adv Bill #	REMARKS

STEEL GRADE:	A36 (UN)
STD HOLES:	13/16Ø (UN)
SHOP BOLTS:	3/4Ø A325X_TC (UN)
WELDS:	E70XX (UN)
SURF. PREP:	SSPC-SP2 (UN)
PAINT:	



730 Madison Street
Wrentham, Mass 02093
Phone: (508) 384-5000

JOB NAME: Atlas Box & Crating Company		
JOB LOCATION: Sutton, MA		
CONTRACTOR:		
DWG. TITLE Assembly TS Column Detail		SHT.
DRAWN BY: KB	CHK'D BY: CM	JOB NUMBER 502-08
DATE: 01/22/2009	DATE: 01/26/2009	
		0 C115