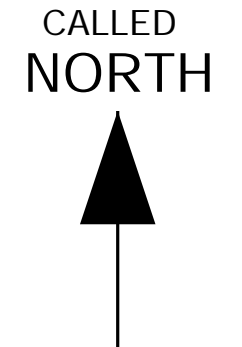
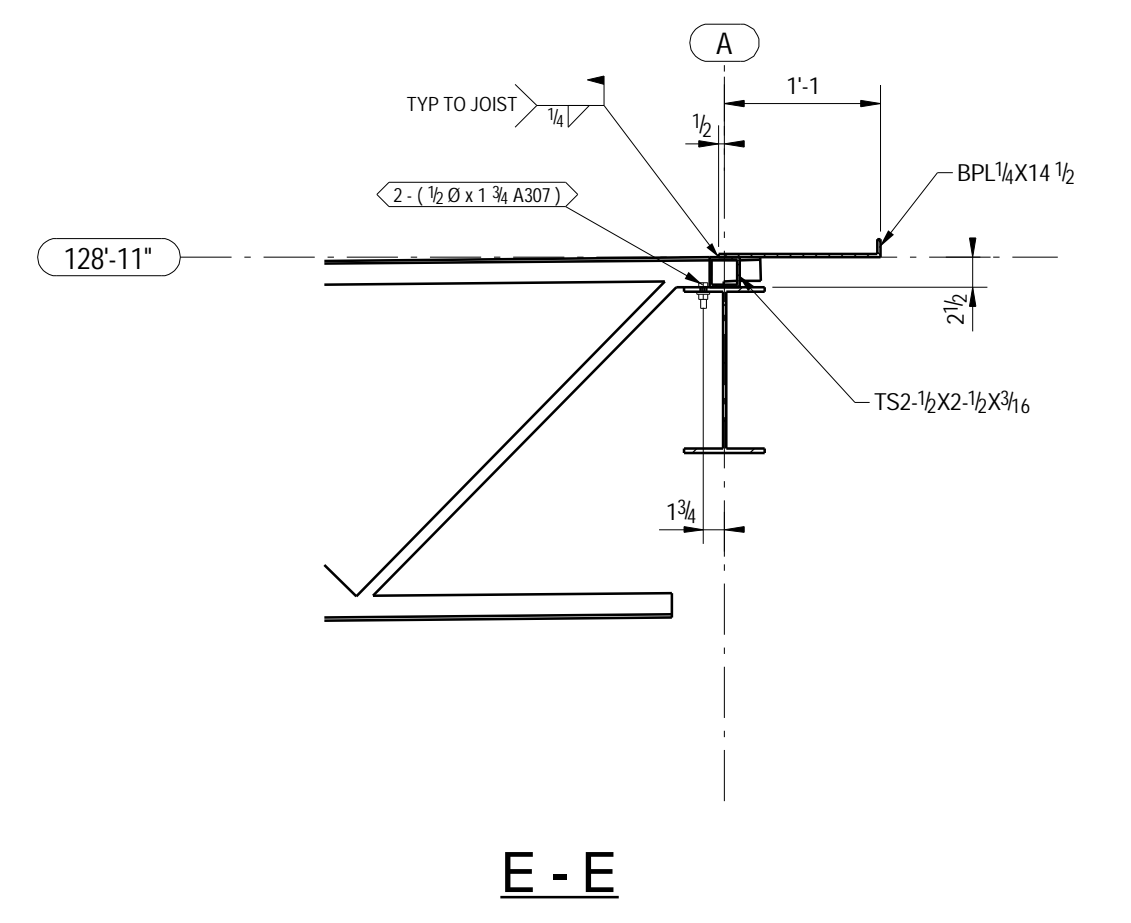
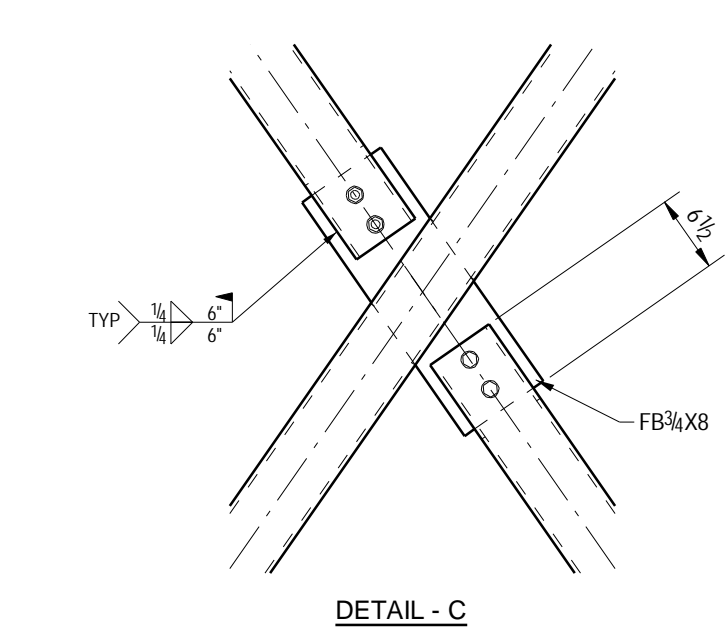
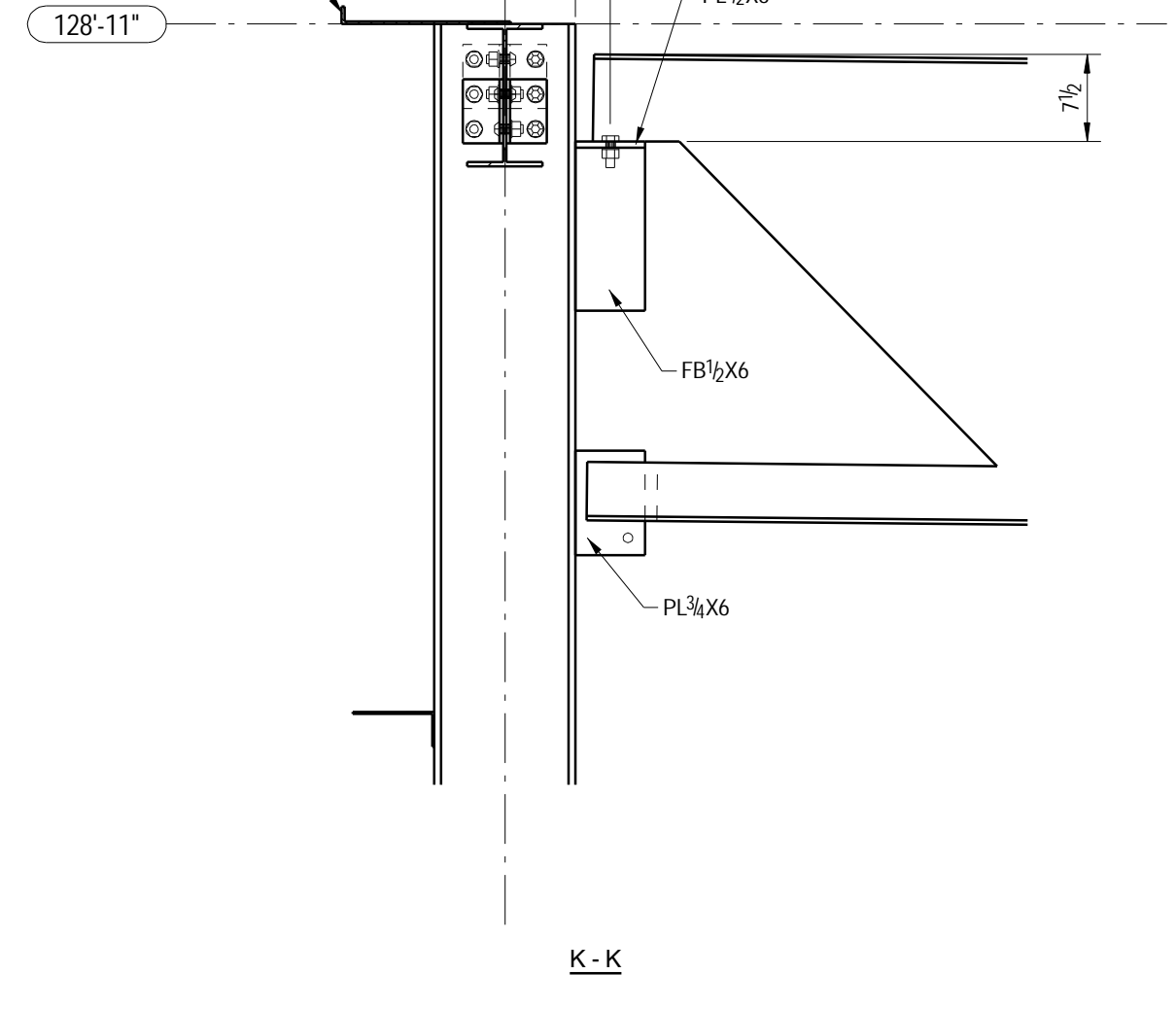
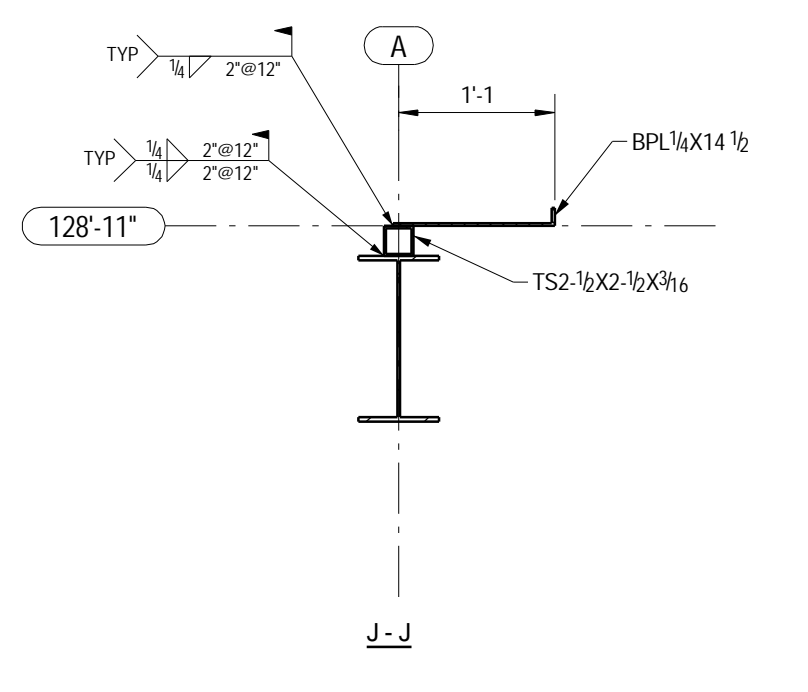
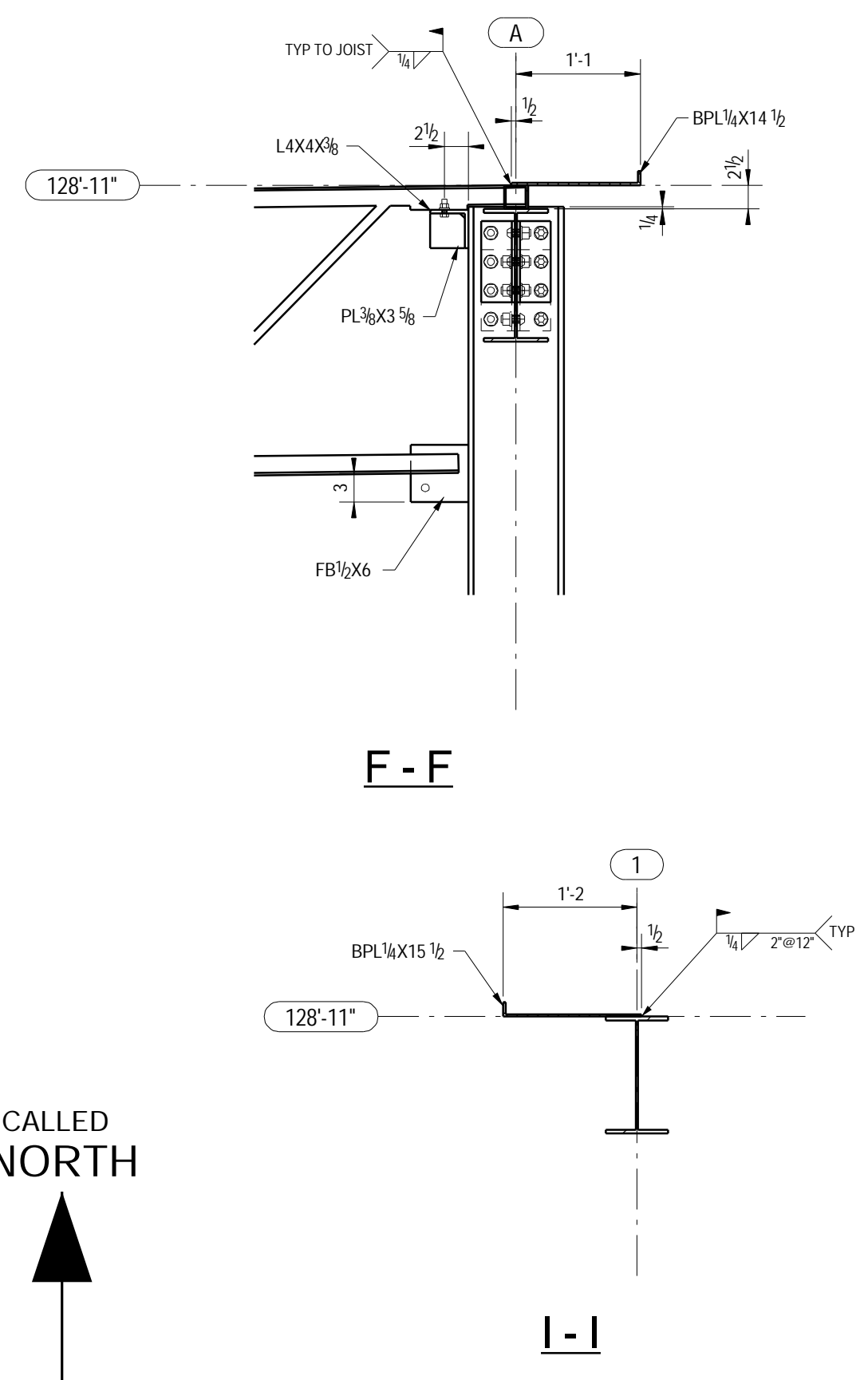
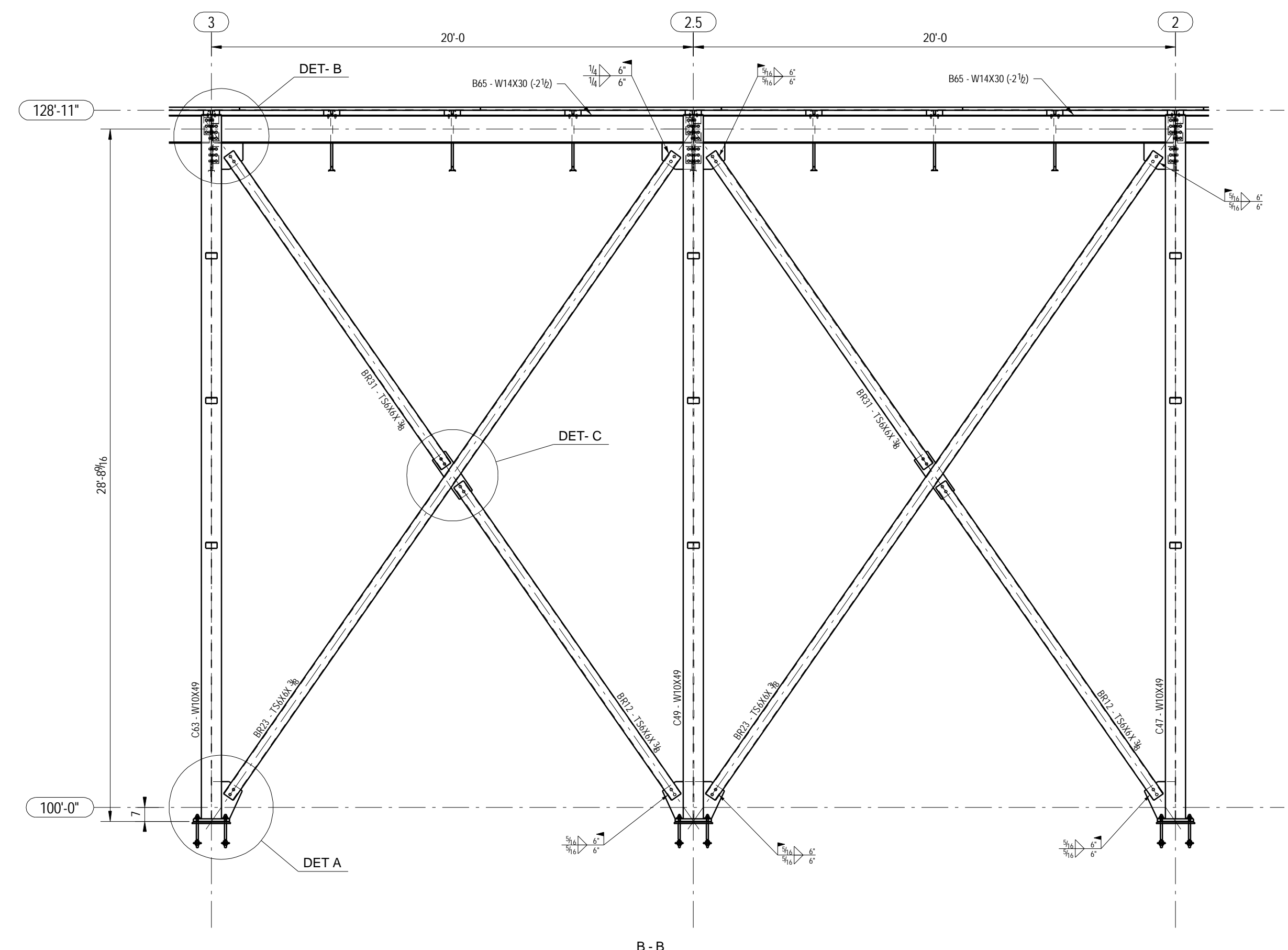


ROOF FRAMING PLAN

- TOJ = 128'-11" (UNO)
- ALL JOIST OVER MAIN ROOF TO BE BOLTED

PLEASE PROVIDE ALL ROOF FRAME CLR OPENING DIMS & LOCATIONS

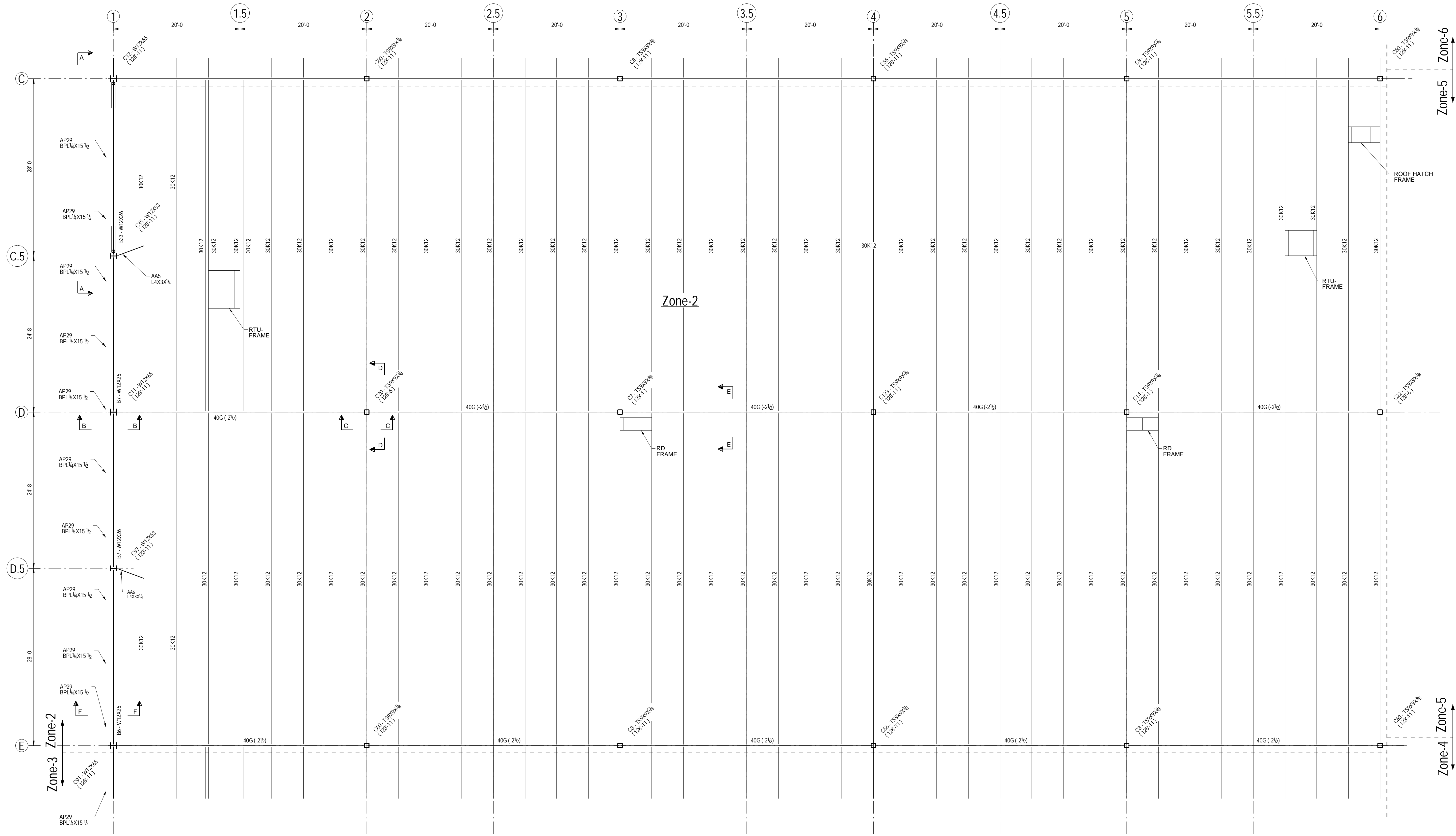


DATE	REMARKS
A36 (UN)	
13/160 (UN)	
3/40 A325X_TC (UN)	
E70XX (UN)	
SSPC-SP2 (UN)	
GRAY (UN)	

STEEL GRADE:	A36 (UN)
STD HOLES:	13/160 (UN)
FIELD BOLTS:	3/40 A325X_TC (UN)
WELDS:	E70XX (UN)
SURF. PREP:	SSPC-SP2 (UN)
PAINT:	GRAY (UN)

JOB NAME:	Atlas Box & Crating Company
JOB LOCATION:	Sutton, MA
CONTRACTOR:	
DWG. TITLE:	Zone-1 Framing Plan
DATE:	01/26/2009

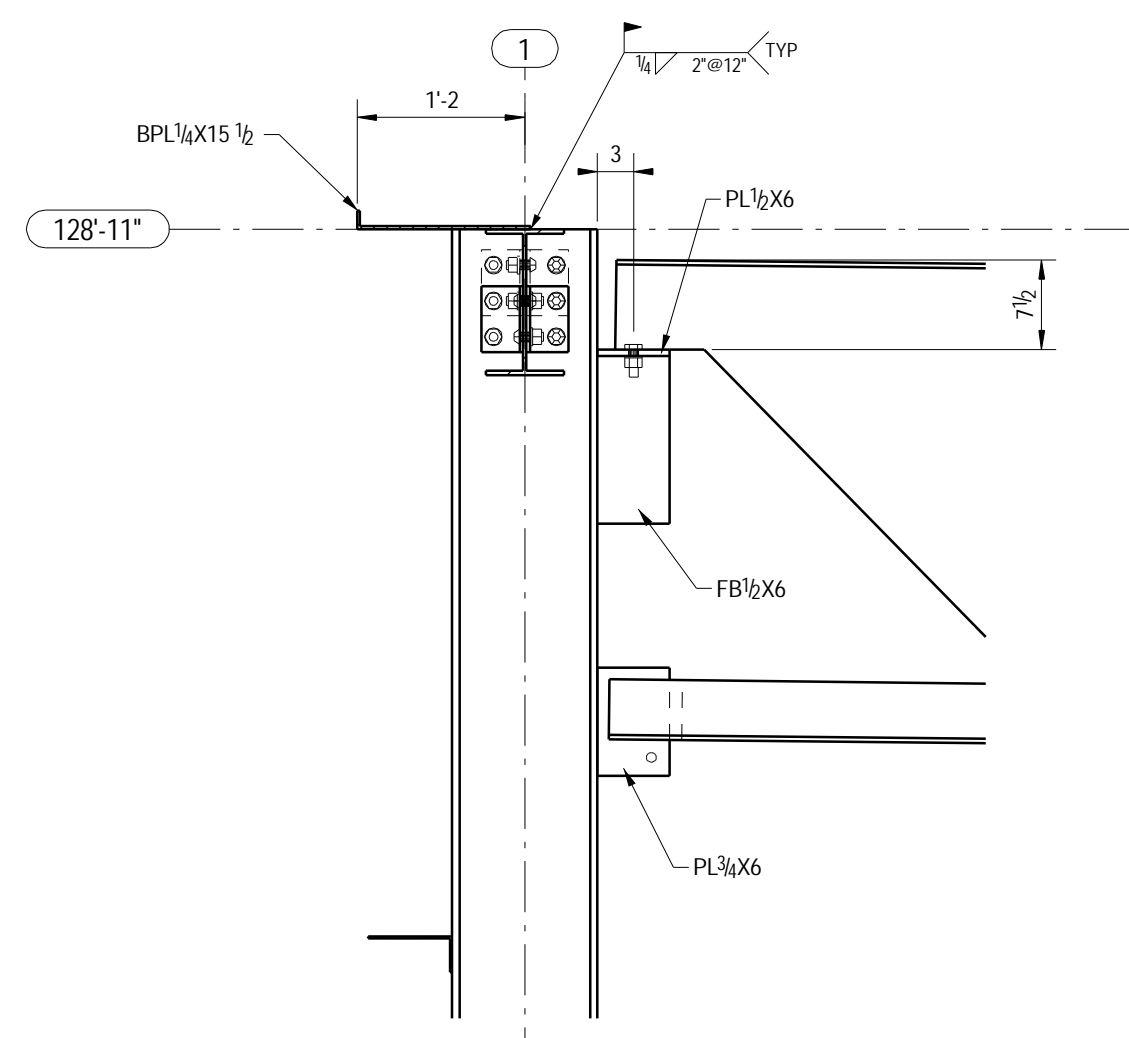
730 Madison Street Wenham, Mass. 02093 Phone: (508) 364-5000



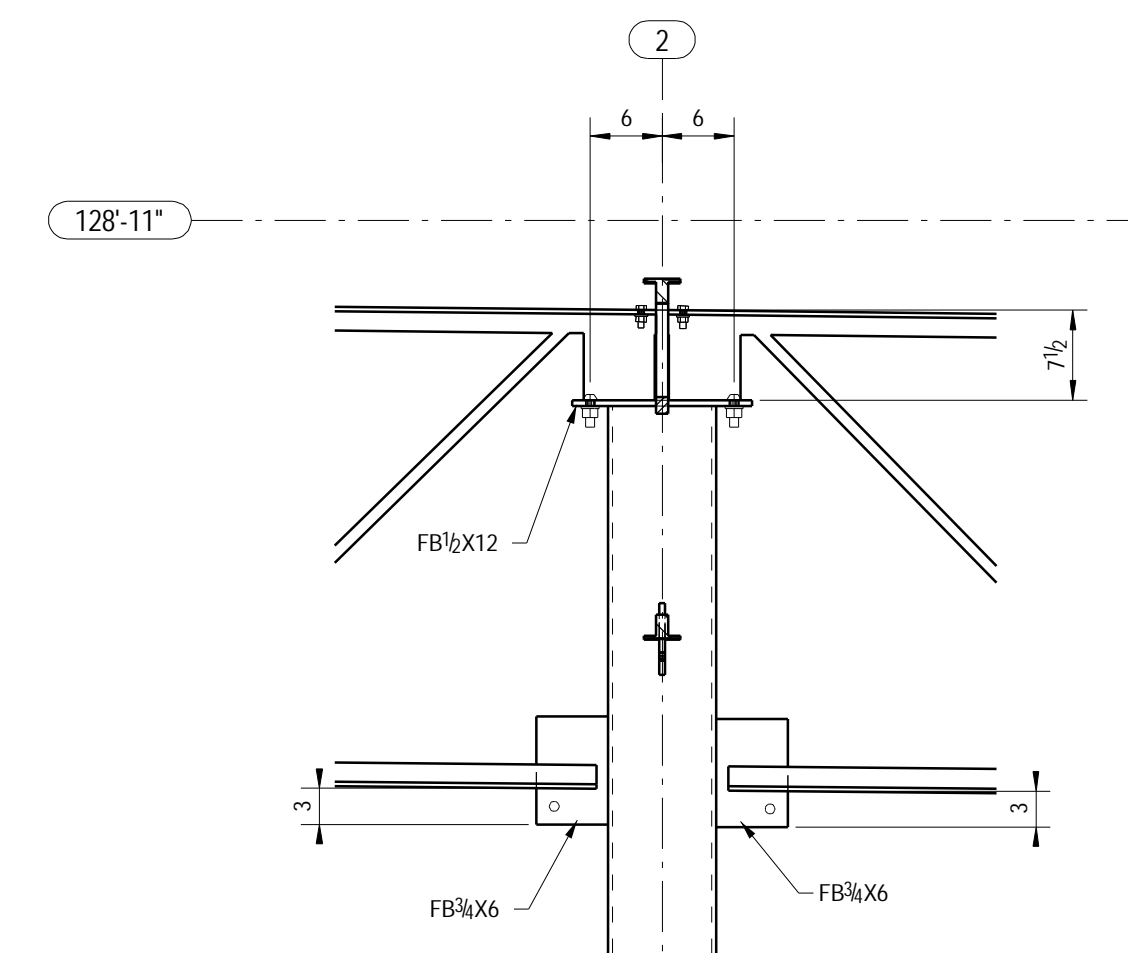
ROOF FRAMING PLAN

- TOJ = 128'-11" (UNO)
 - ALL JOIST OVER MAIN
 ROOF TO BE BOLTED

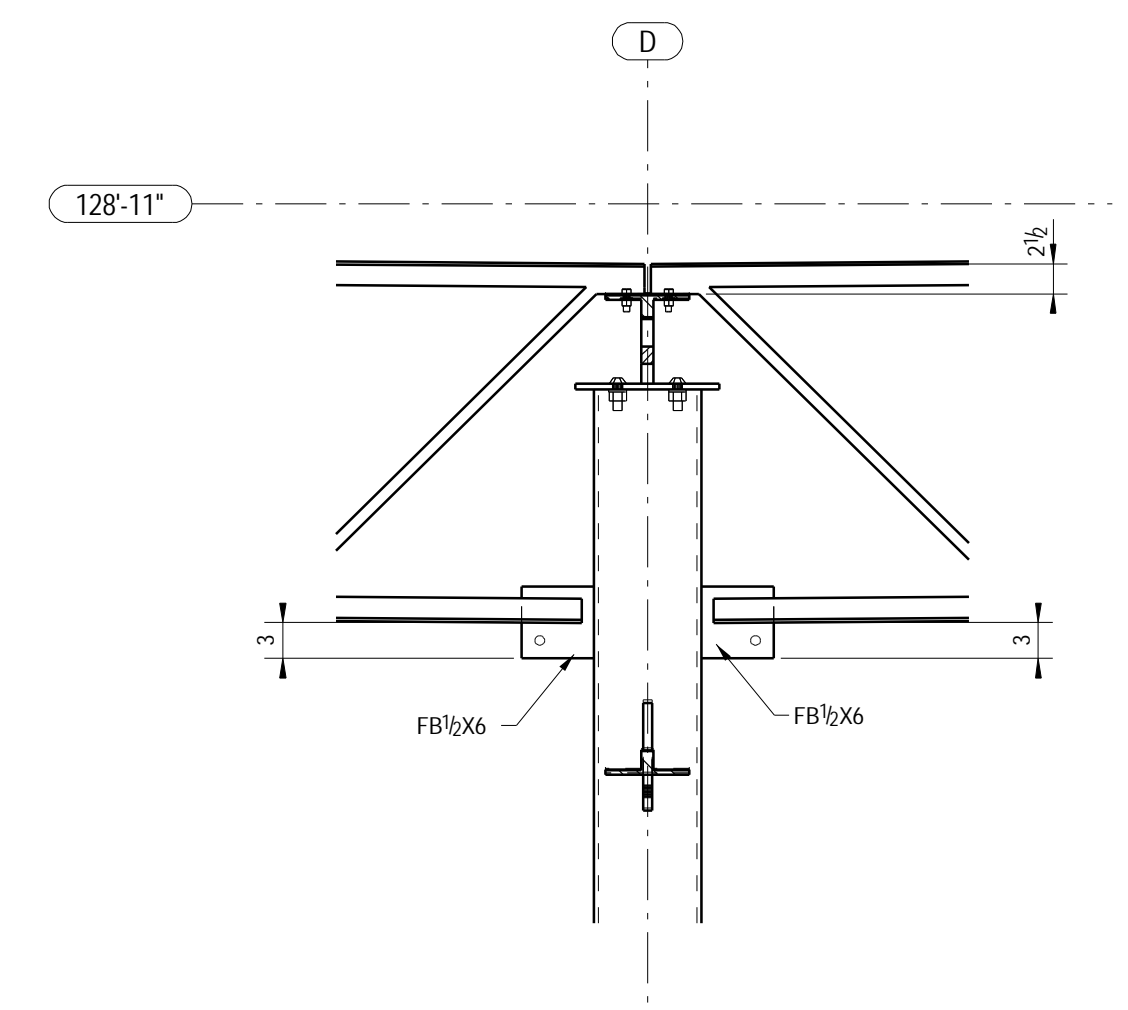
PLEASE PROVIDE ALL ROOF FRAME
 CLR OPENING DIM'S & LOCATIONS



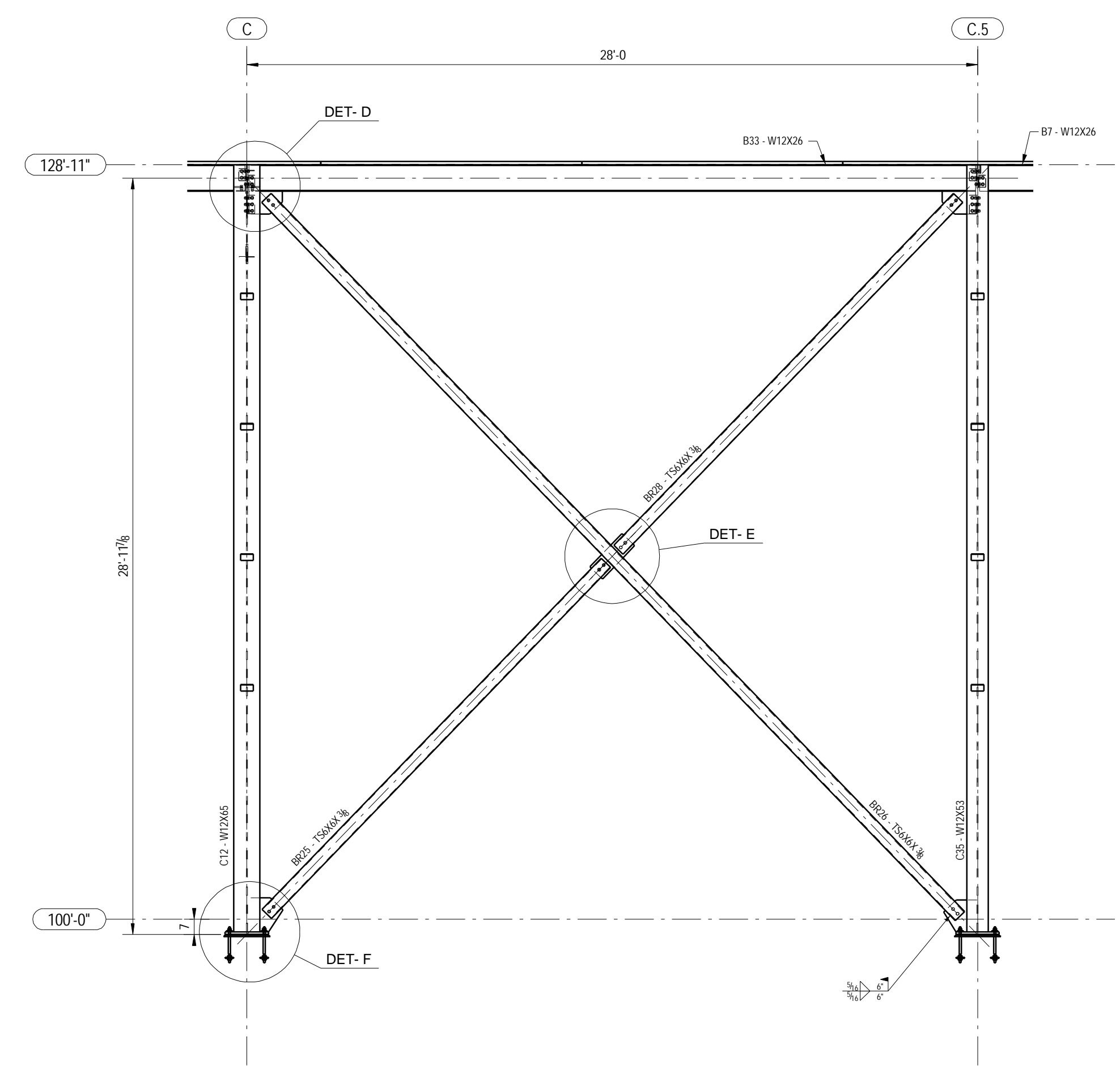
B - B



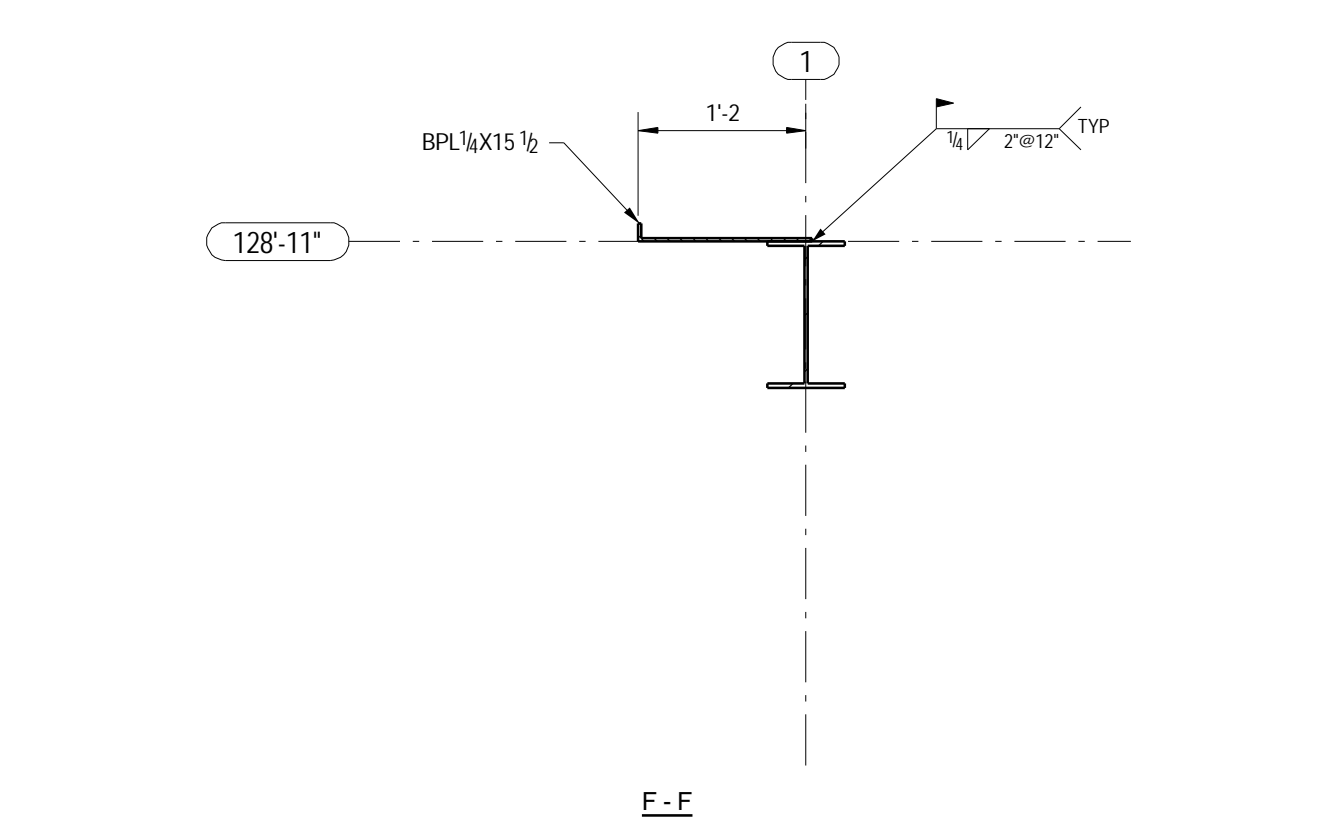
C - C



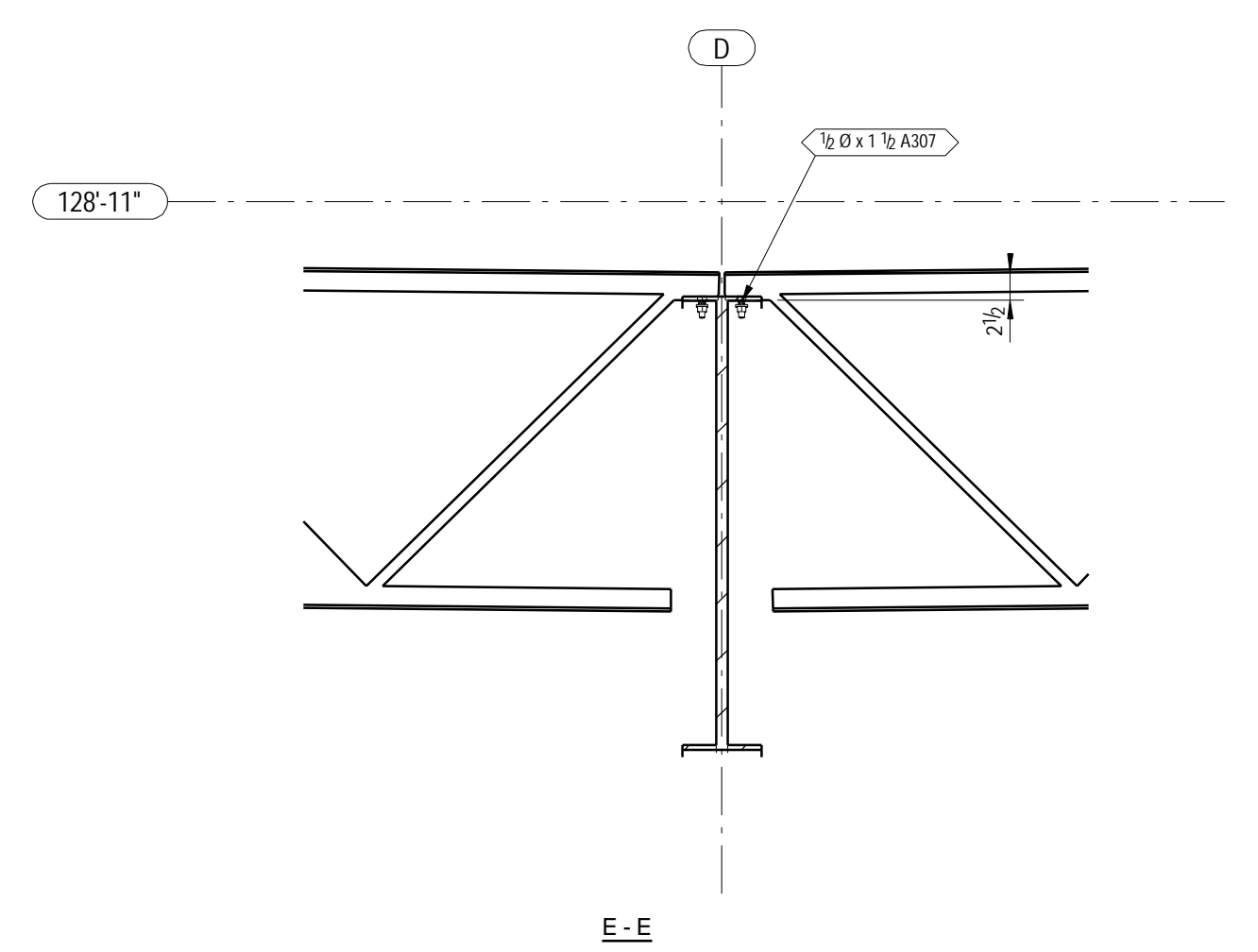
D - D



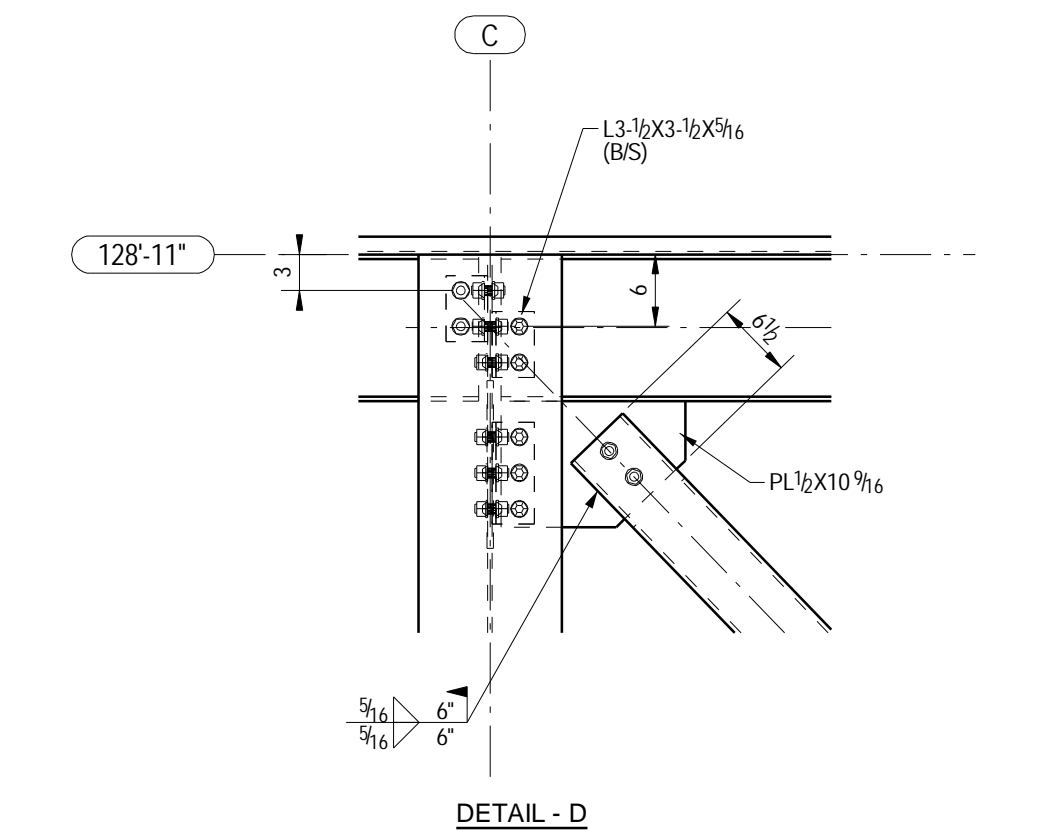
A - A



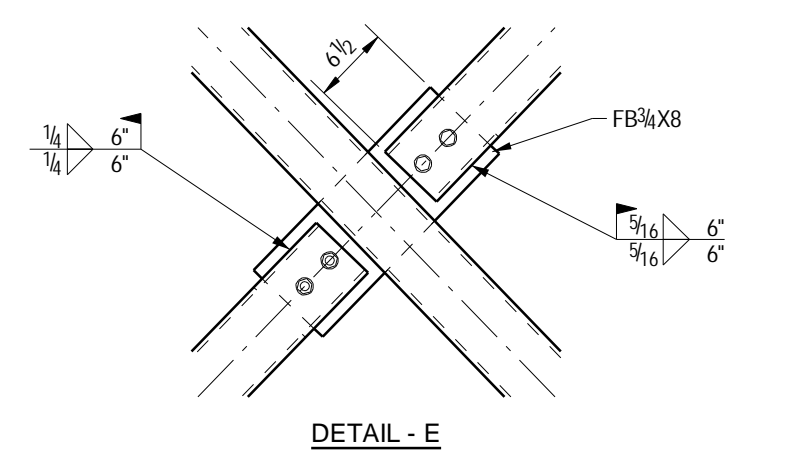
F - F



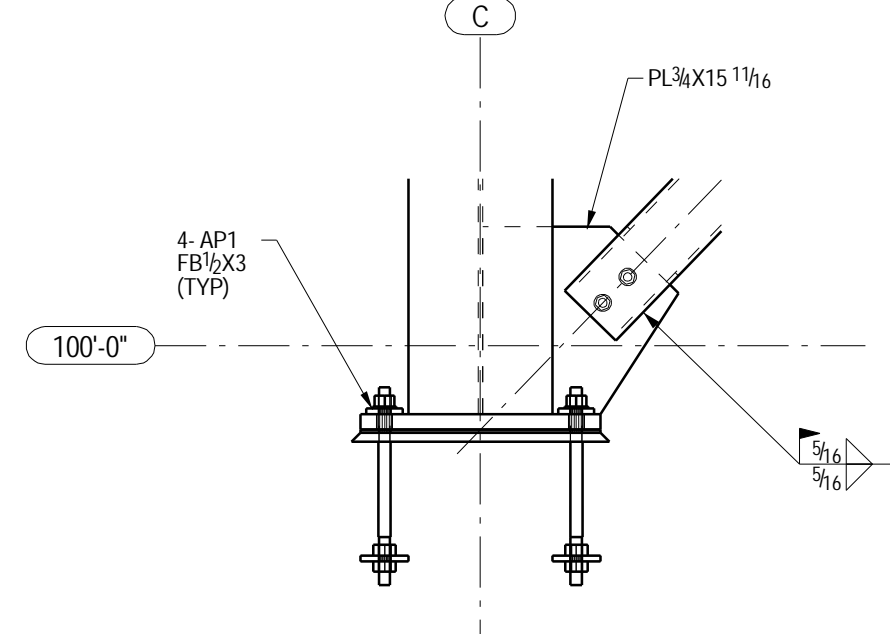
E - E



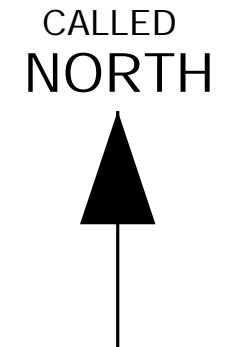
DETAIL - D



DETAIL - E

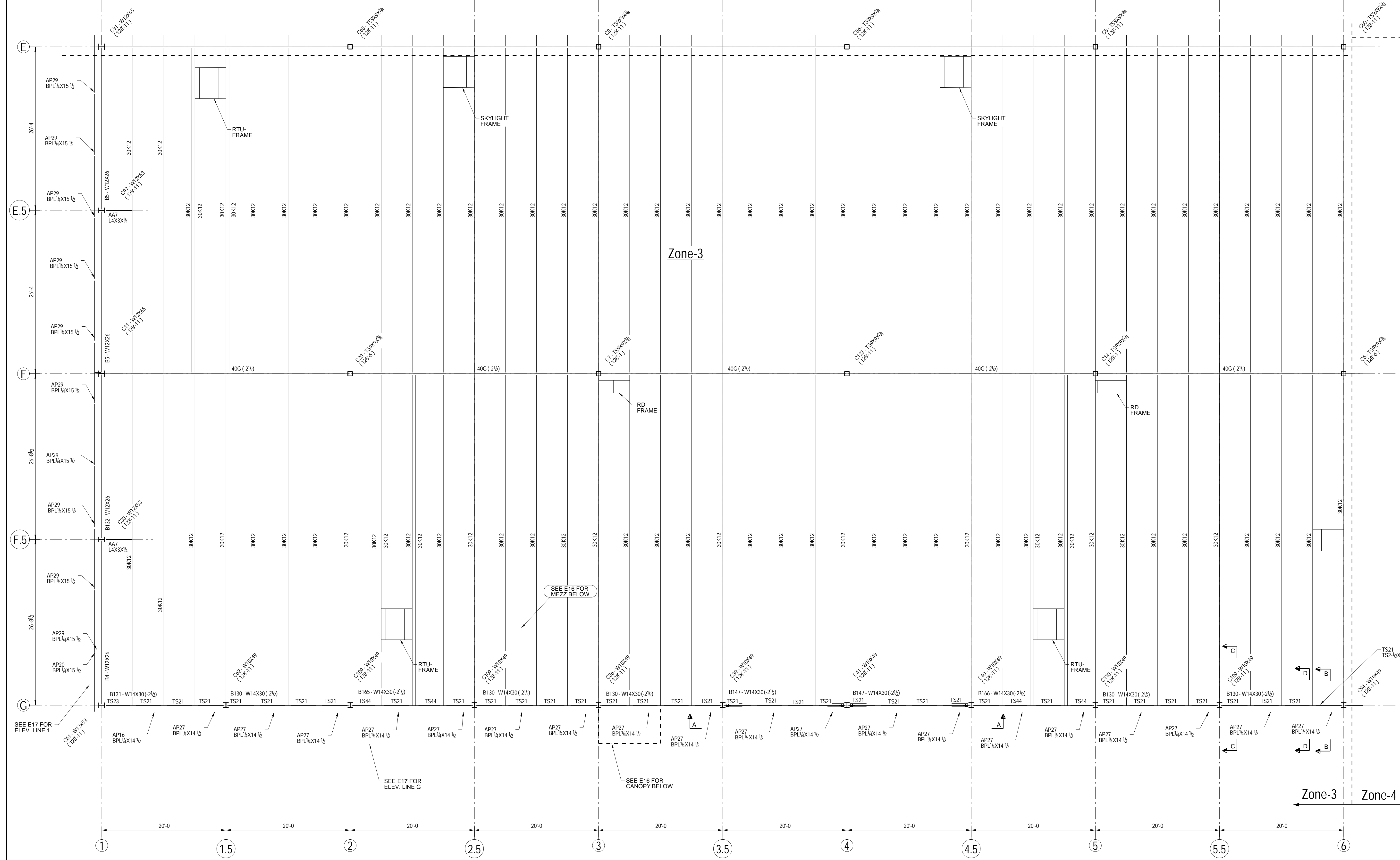


DETAIL - F



NO.	DATE	REMARKS
1		STEEL GRADE: A36 (UN)
2		STD HOLES: 1 1/2" DIA (UN)
3		FIELD BOLTS: 3/4" A325X TC (UN)
4		WELDS: E70XX (UN)
5		SURF. PREP: SSPC-SP2 (UN)
6		PAINT: GRAY (UN)

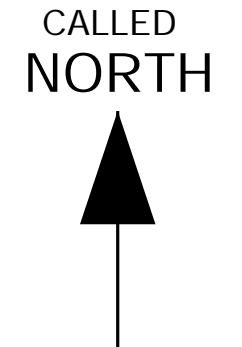
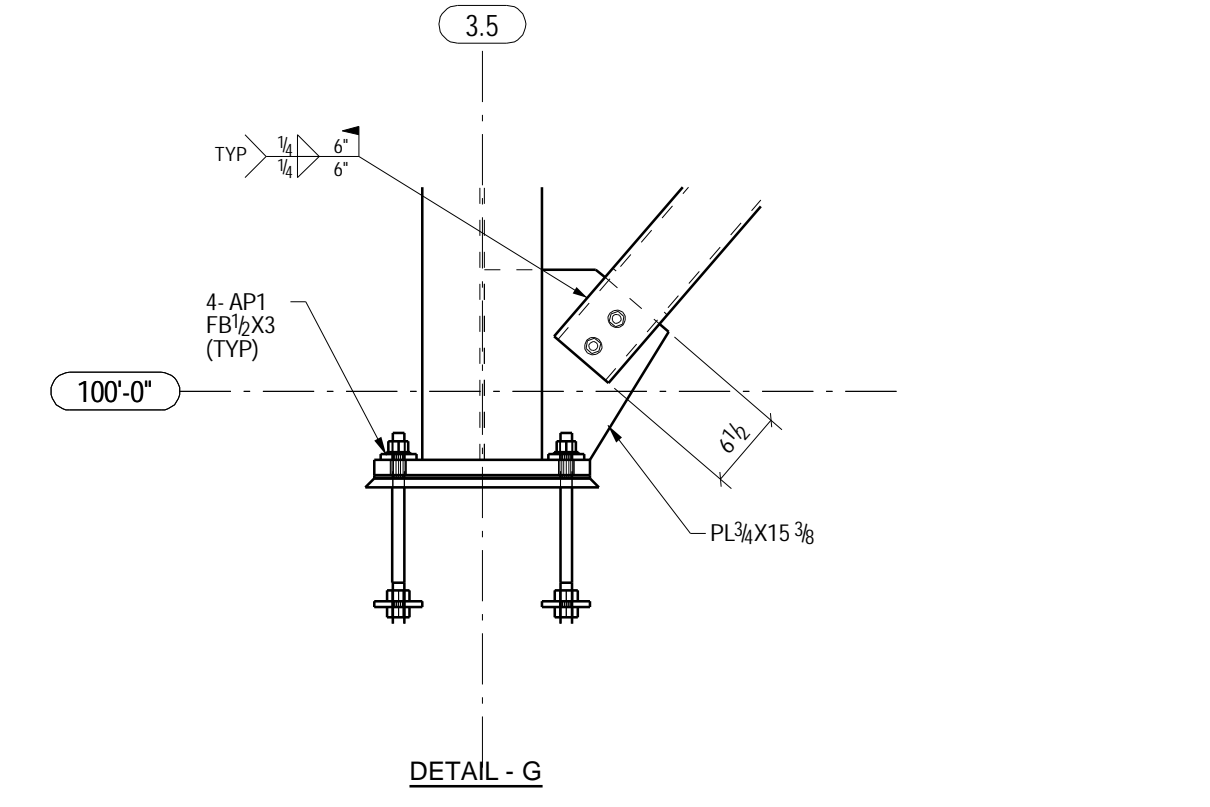
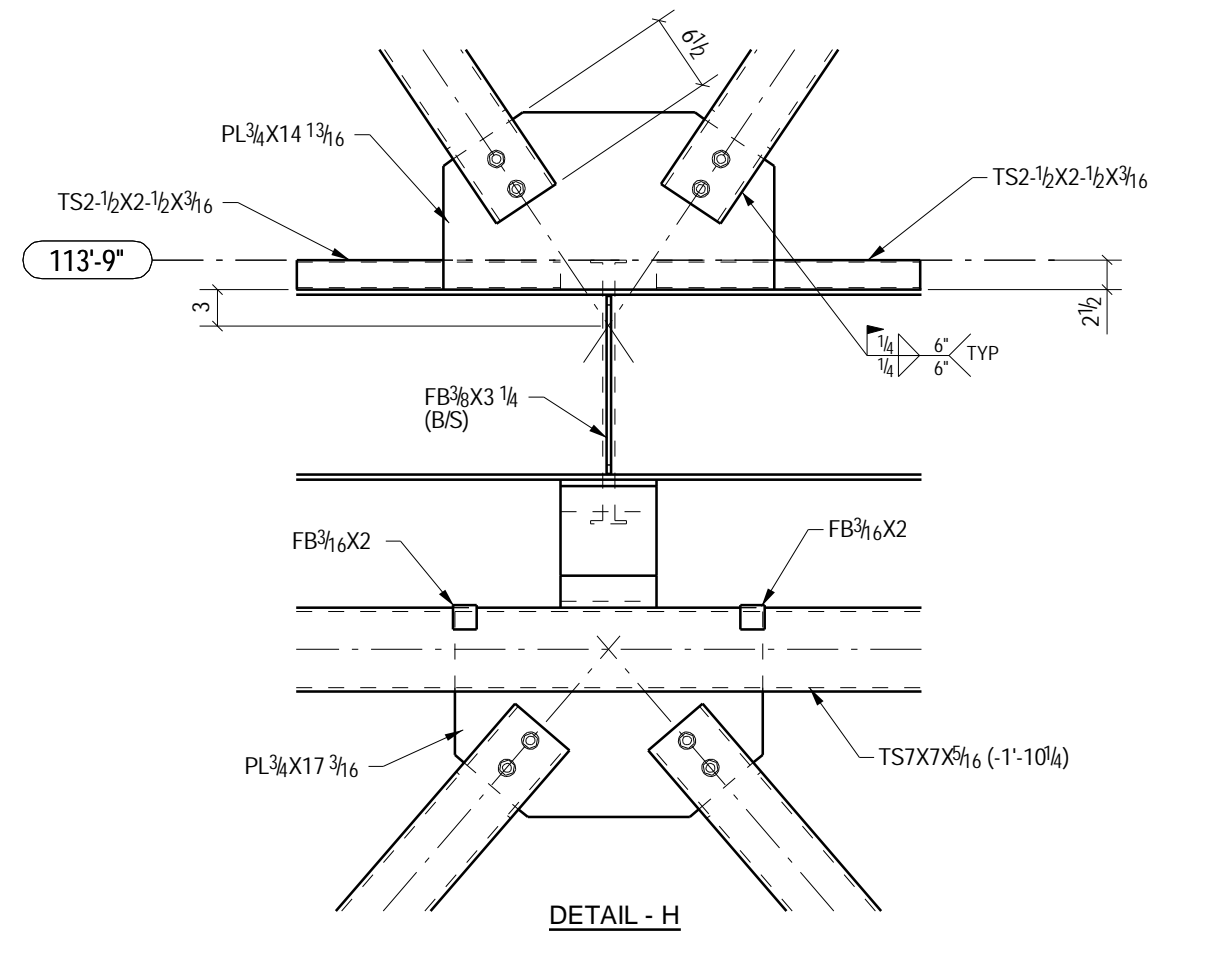
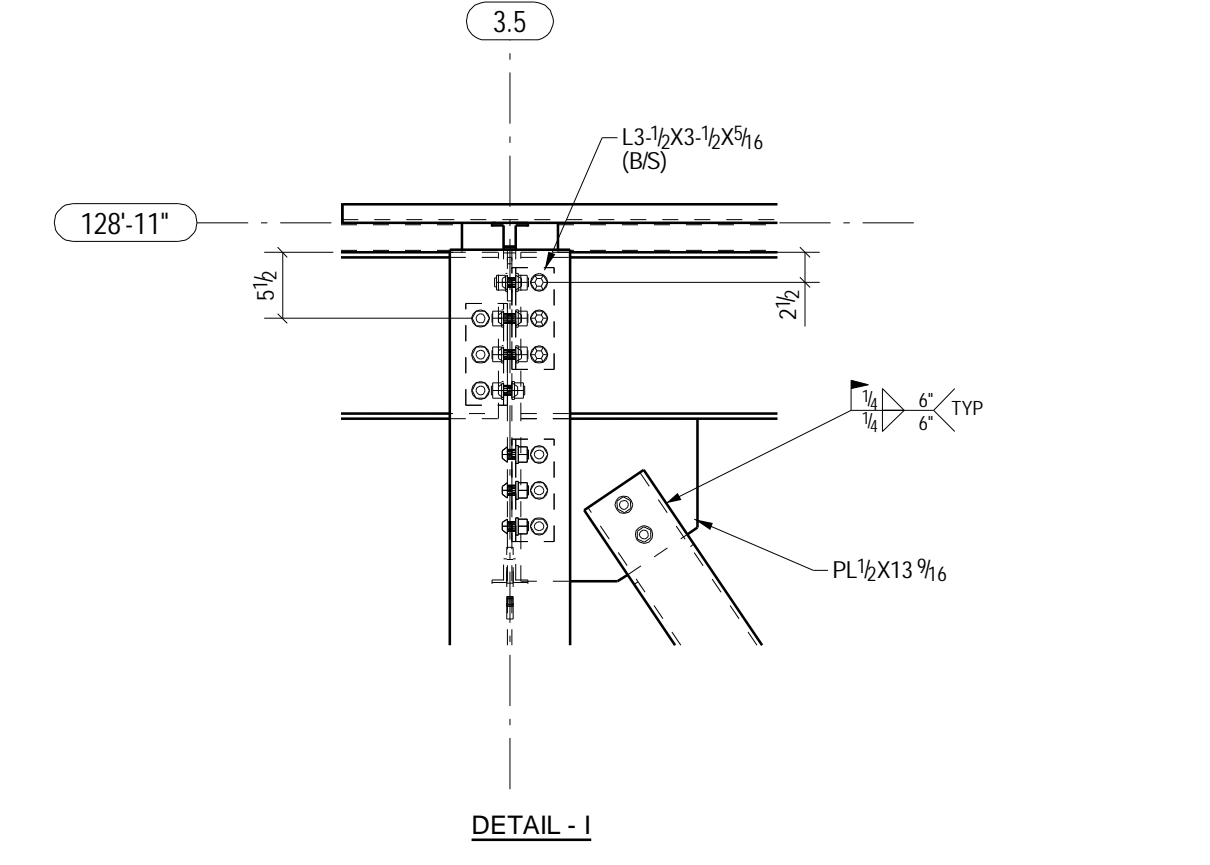
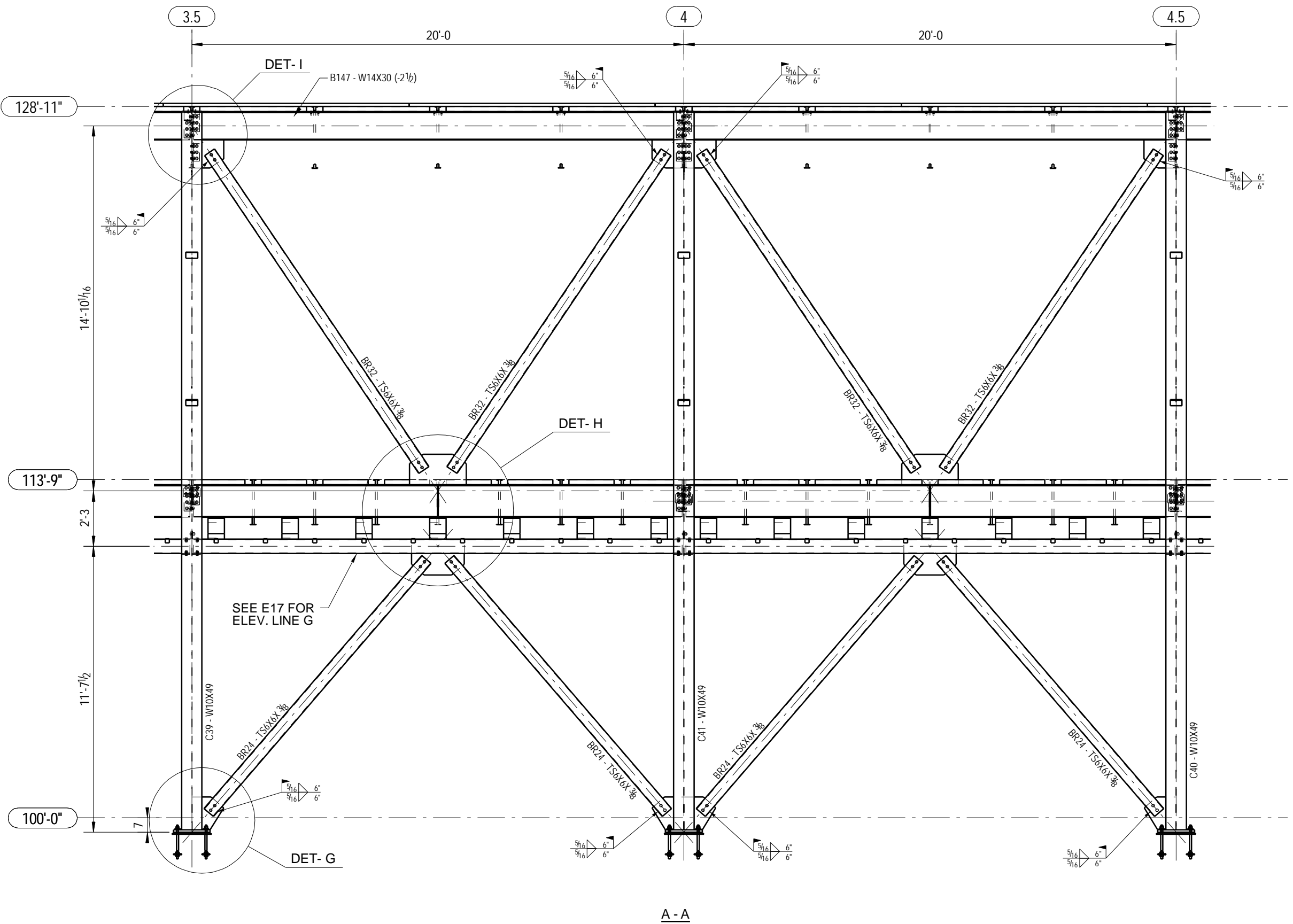
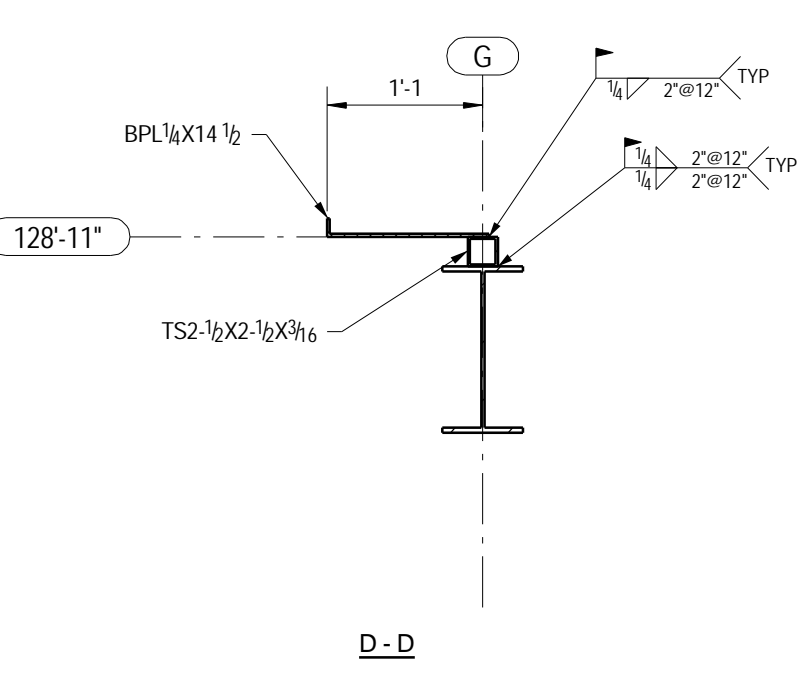
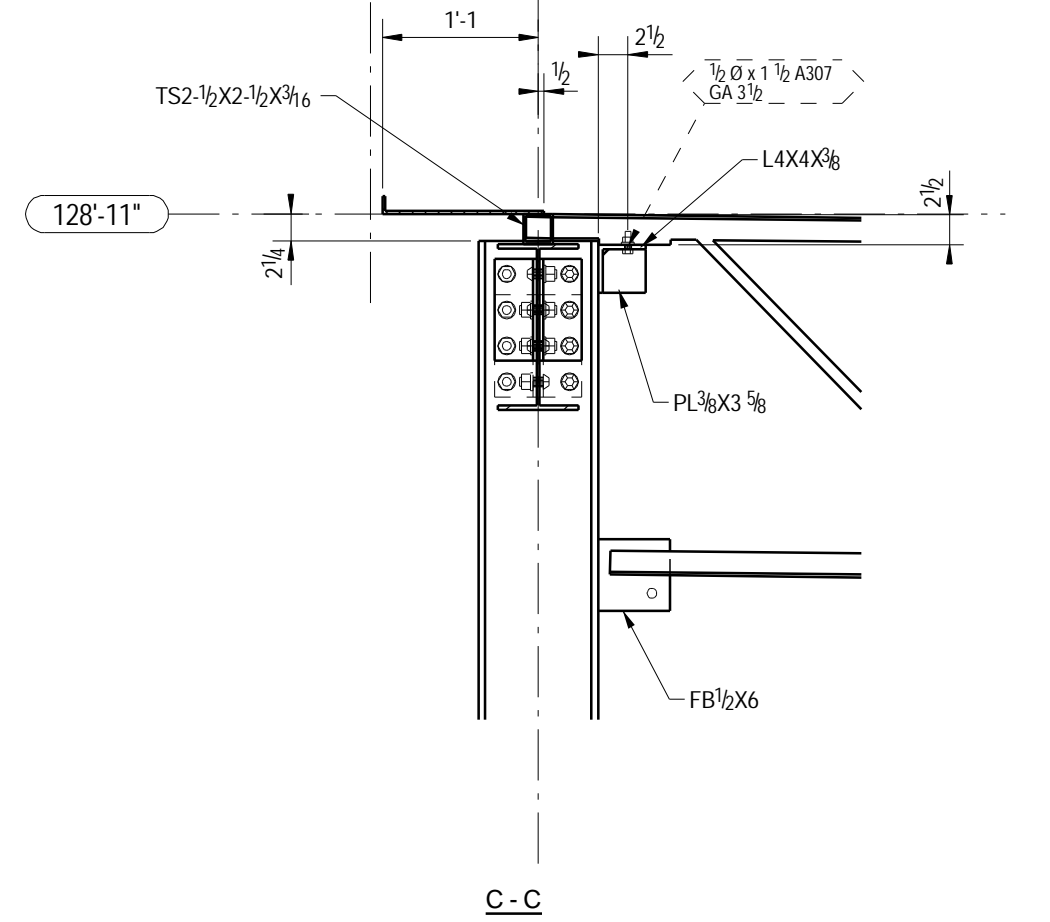
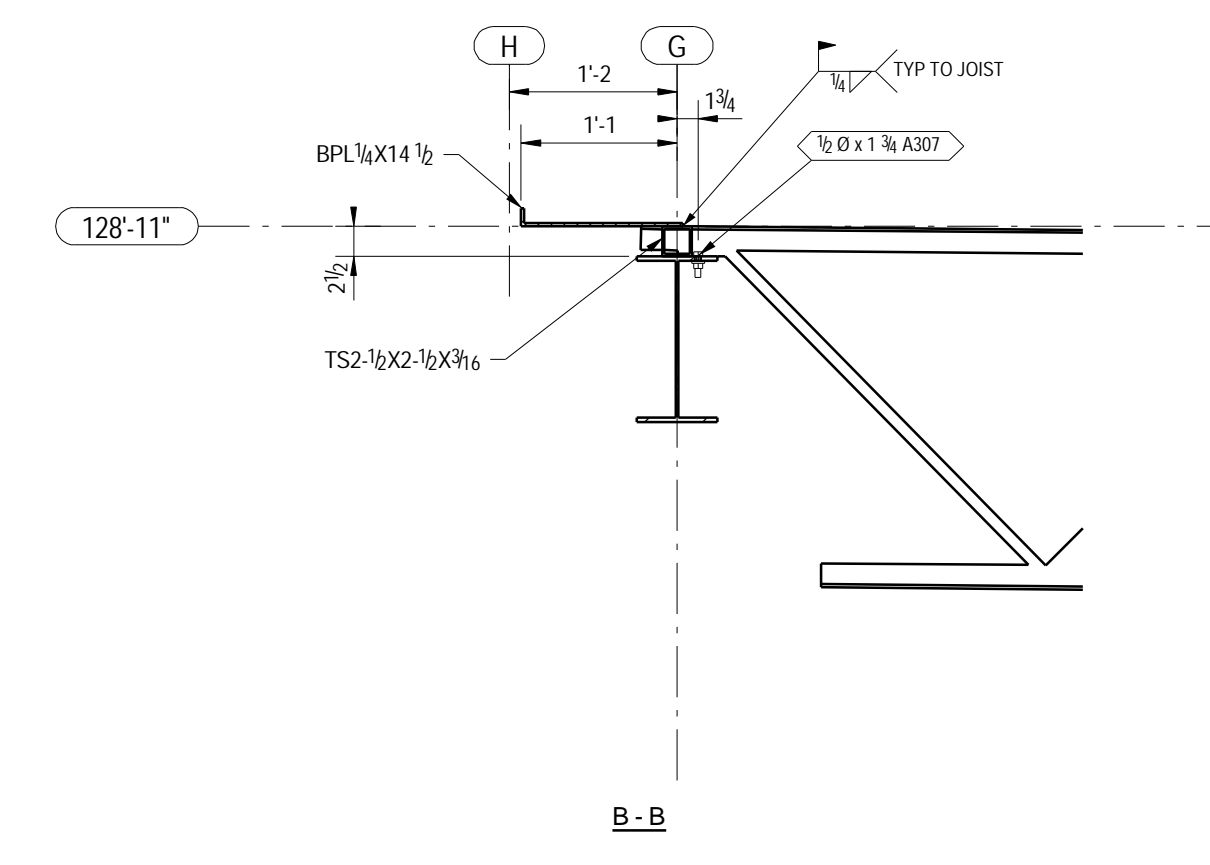
JOB NAME: Atlas Box & Crating Company	JOB LOCATION: Sutton, MA	CONTRACTOR:
DWG. TITLE: Zone-2 Framing Plan	DATE: 01/26/2009	CHECKED BY: CM
DATE: 01/26/2009	DATE: 01/26/2009	JOB NUMBER: 502-08



ROOF FRAMING PLAN

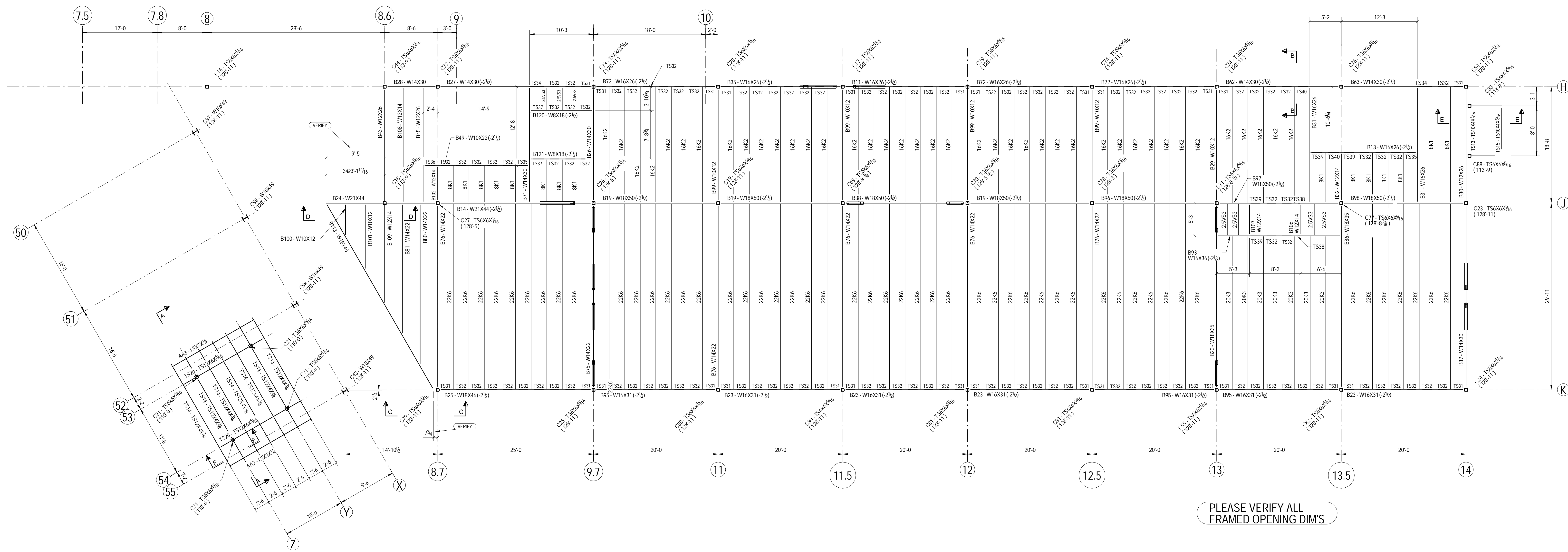
- TOJ = 128'-11" (UNO)
 - ALL JOIST OVER MAIN ROOF TO BE BOLTED

PLEASE PROVIDE ALL ROOF FRAME CLR OPENING DIM'S & LOCATIONS



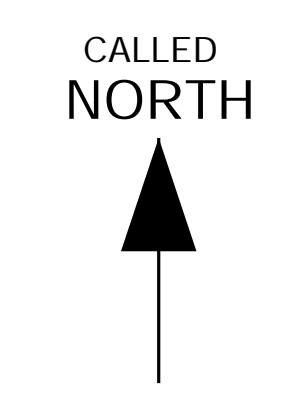
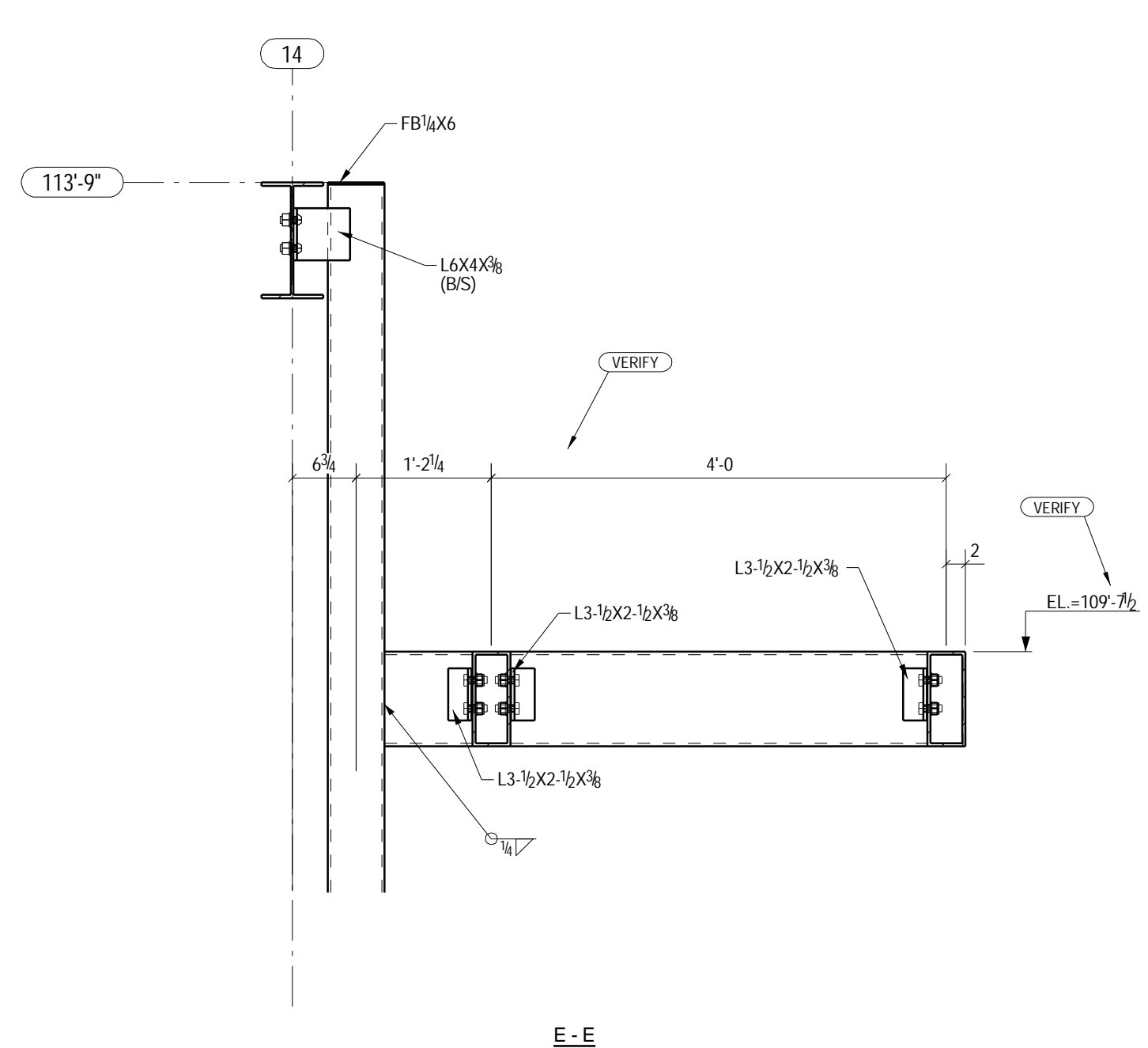
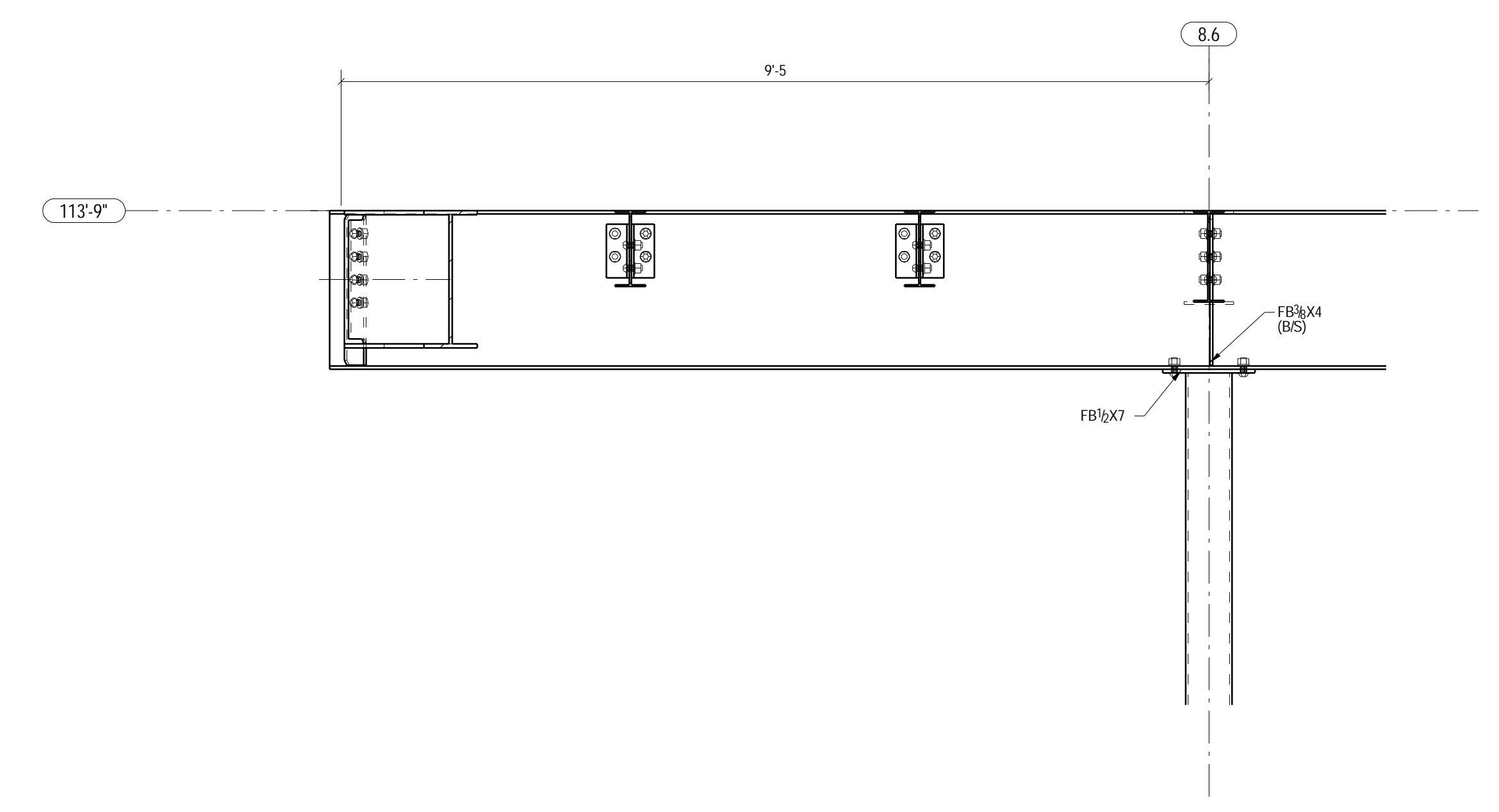
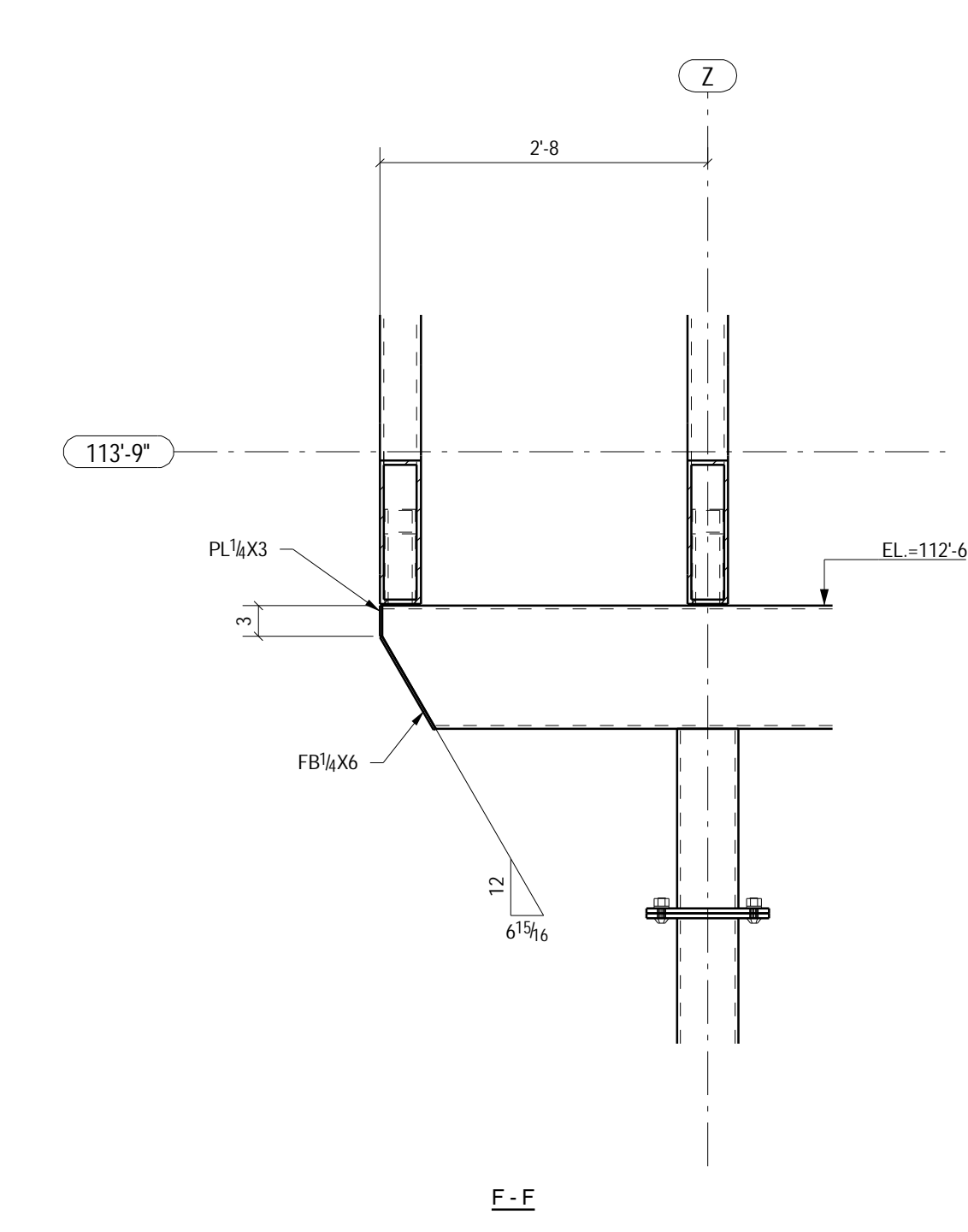
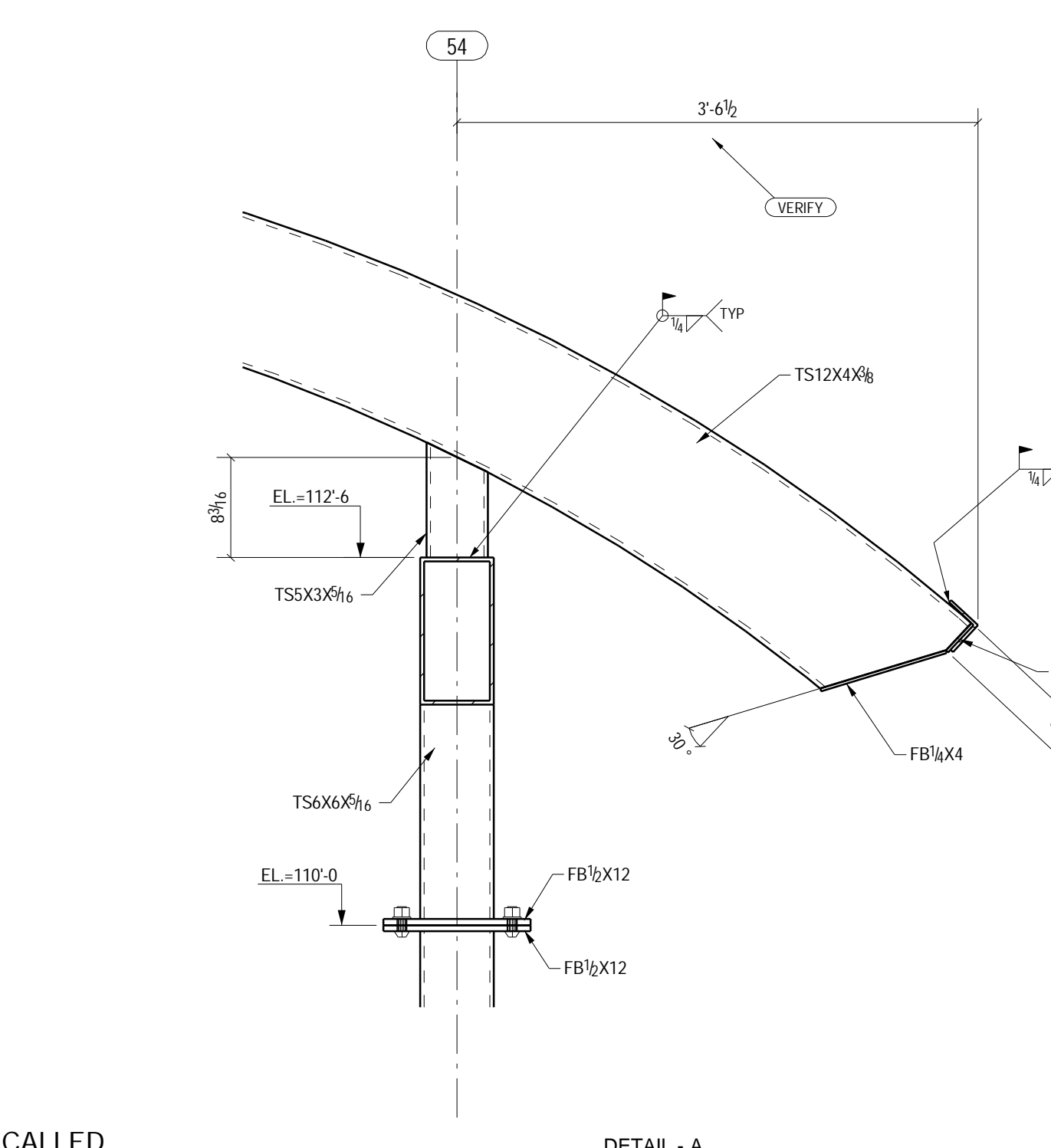
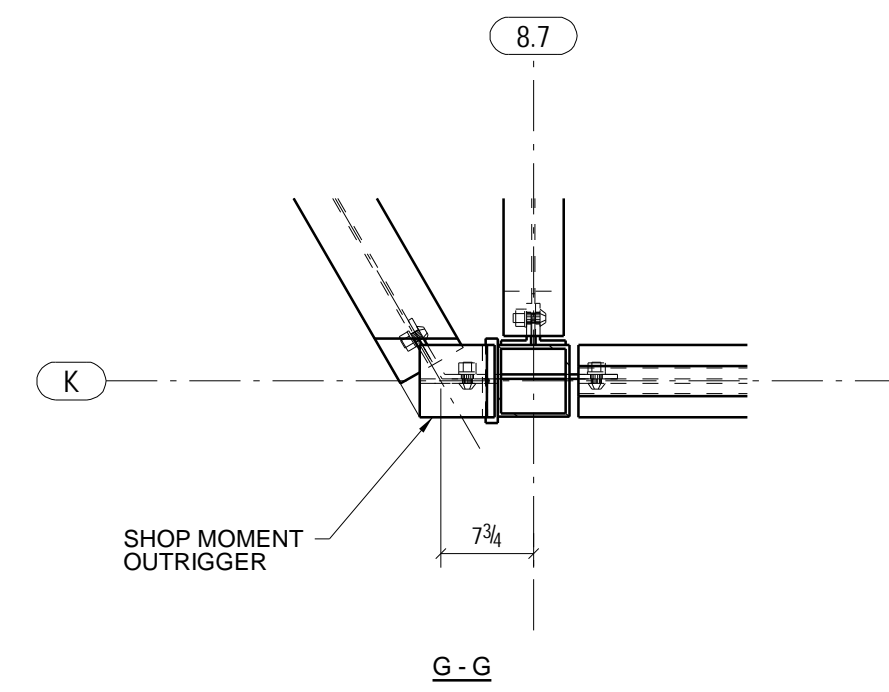
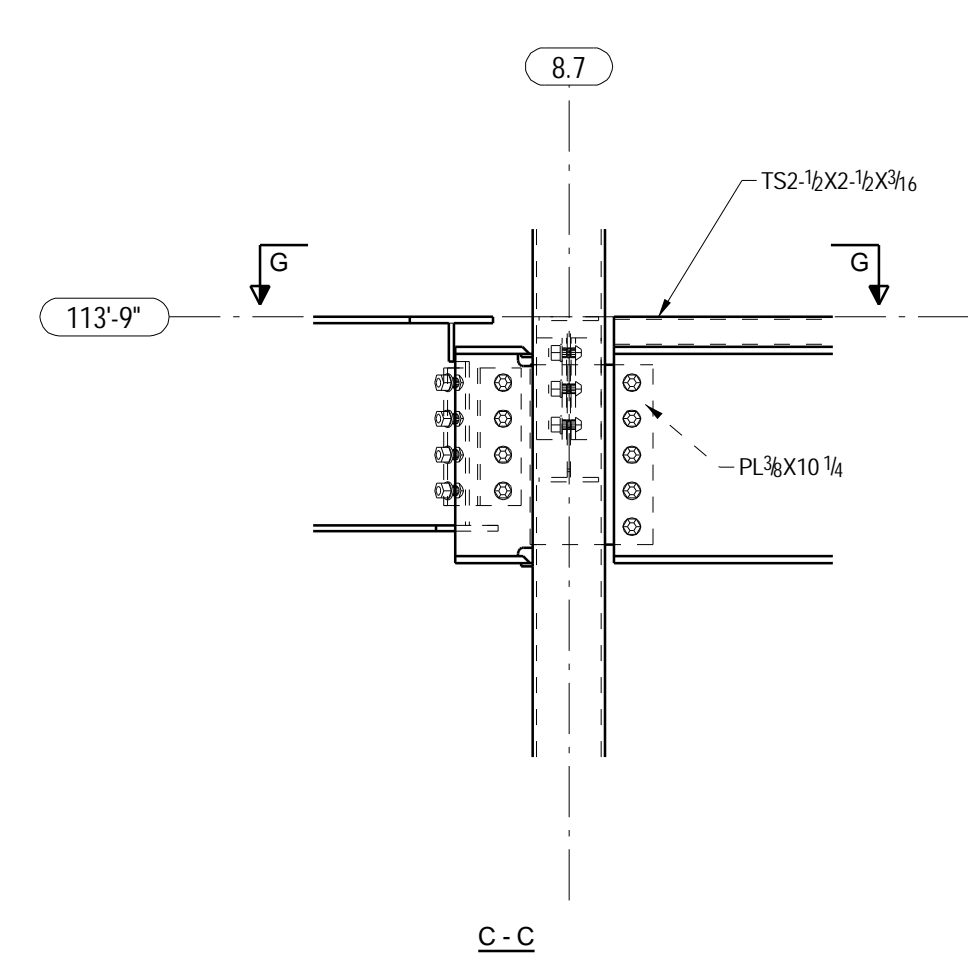
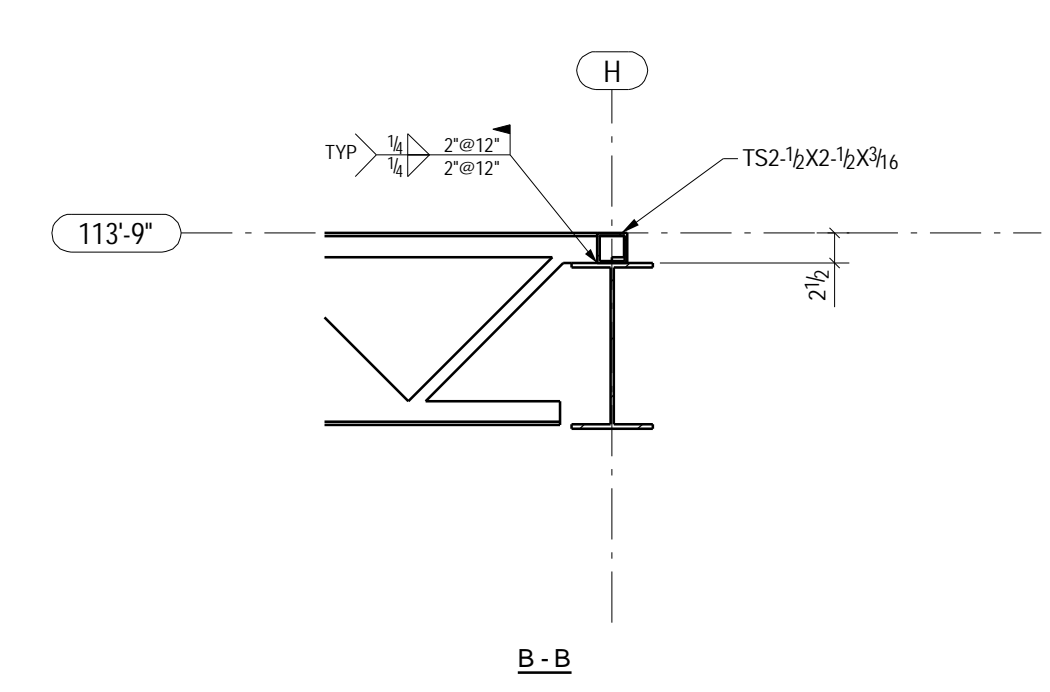
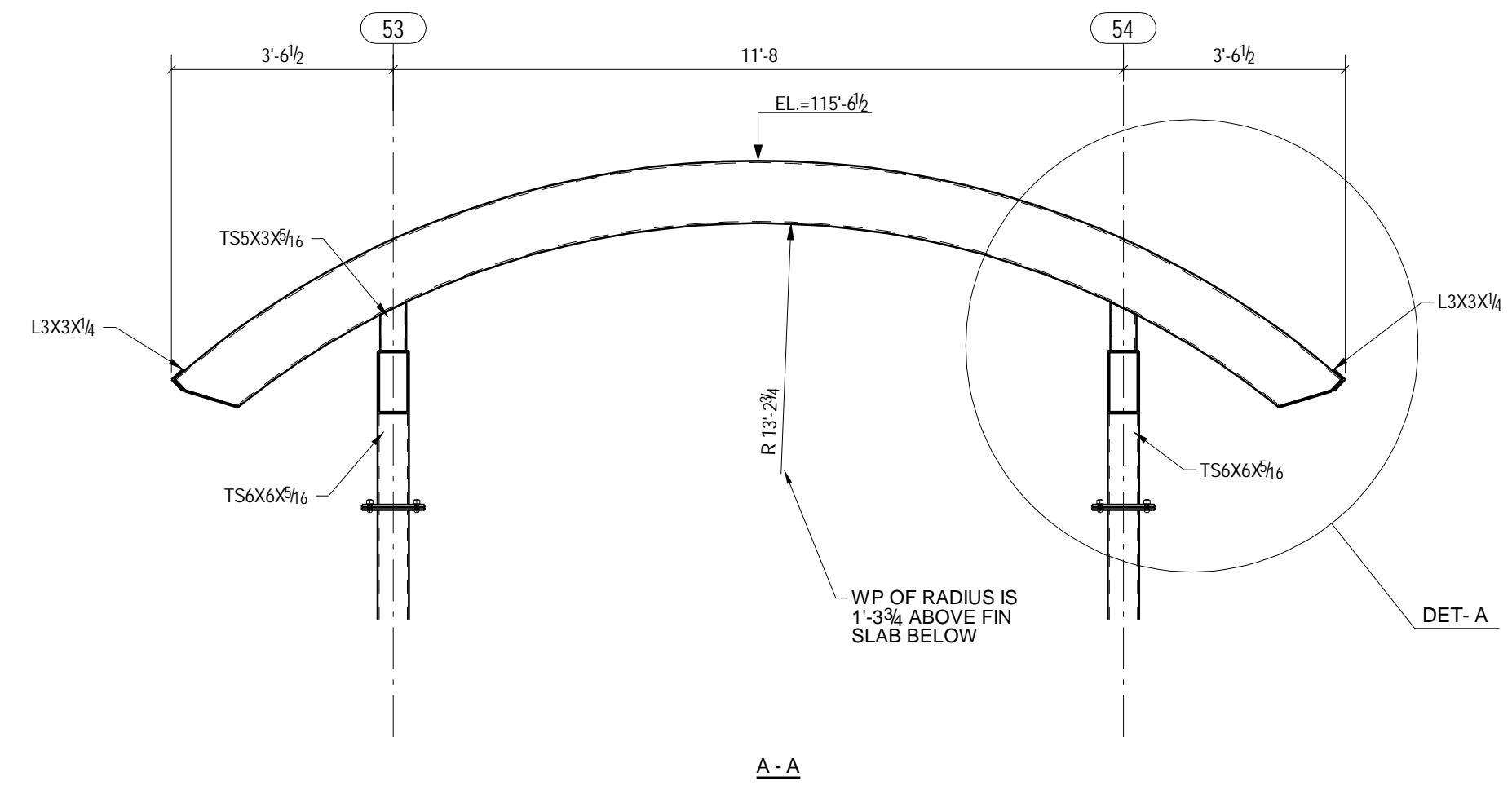
DATE	REMARKS
01/26/2009	A36 (UN)
01/26/2009	1 1/2" x 1/2" (UN)
01/26/2009	3/4" A325X_TC (UN)
01/26/2009	E70XX (UN)
01/26/2009	SSPC-SP2 (UN)
01/26/2009	GRAY (UN)

730 Madison Street Wrentham, Mass. 02593 Phone: (508) 364-5000	JOB NAME: Atlas Box & Crating Company
JOB LOCATION: Sutton, MA	CONTRACTOR:
DWG. TITLE: Zone-3 Framing Plan	DATE: 01/26/2009
DATE: 01/26/2009	DATE: 01/26/2009



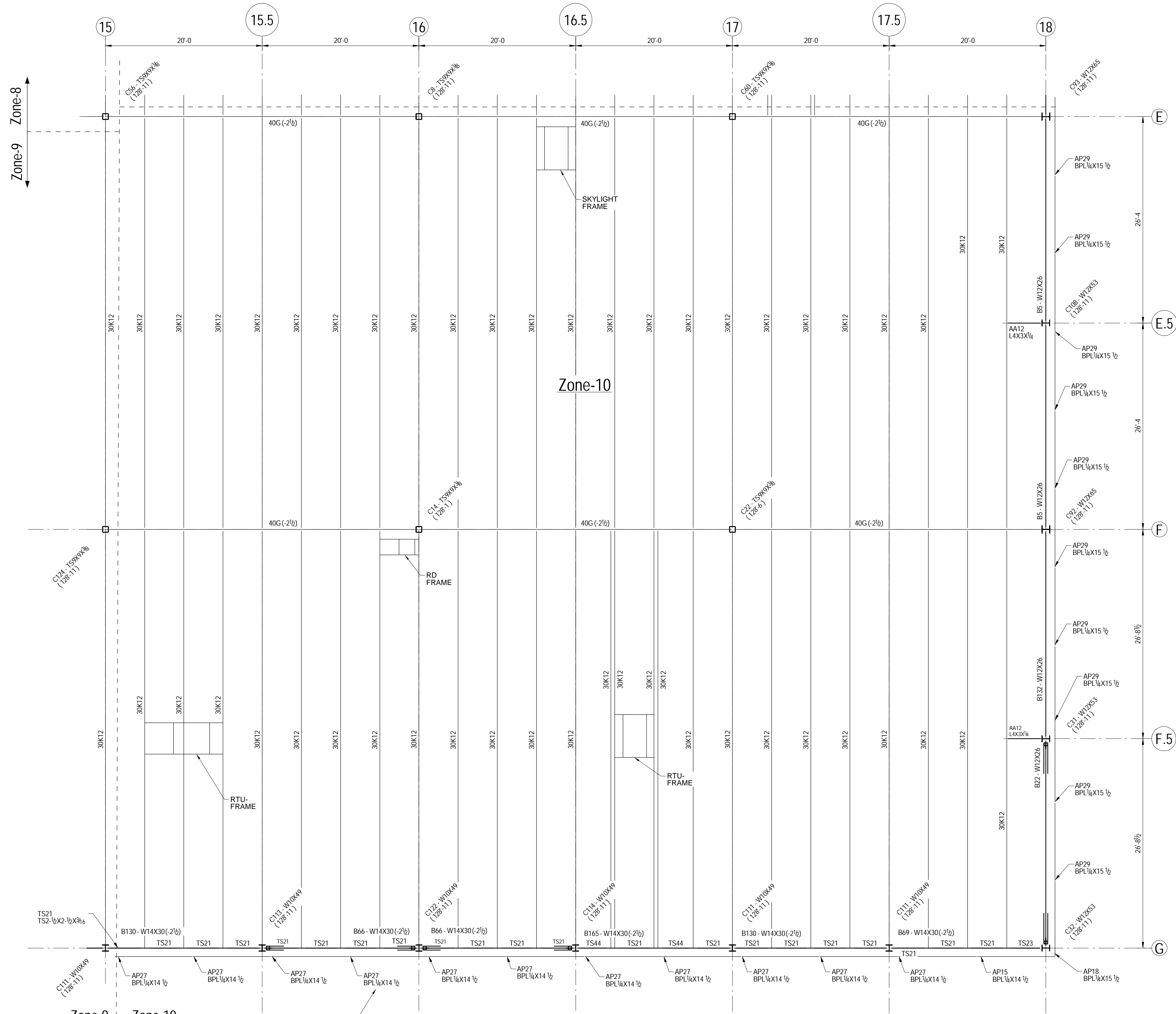
MEZZ. FRAMING PLAN

- TOJ = 113'-9"
 - SEE E15 FOR BRACING ELEV.



DATE	REMARKS
A36 (UN)	
1 1/2\"/>	
3/4\"/>	
E70XX (UN)	
SSPC-SP2 (UN)	
GRAY (UN)	

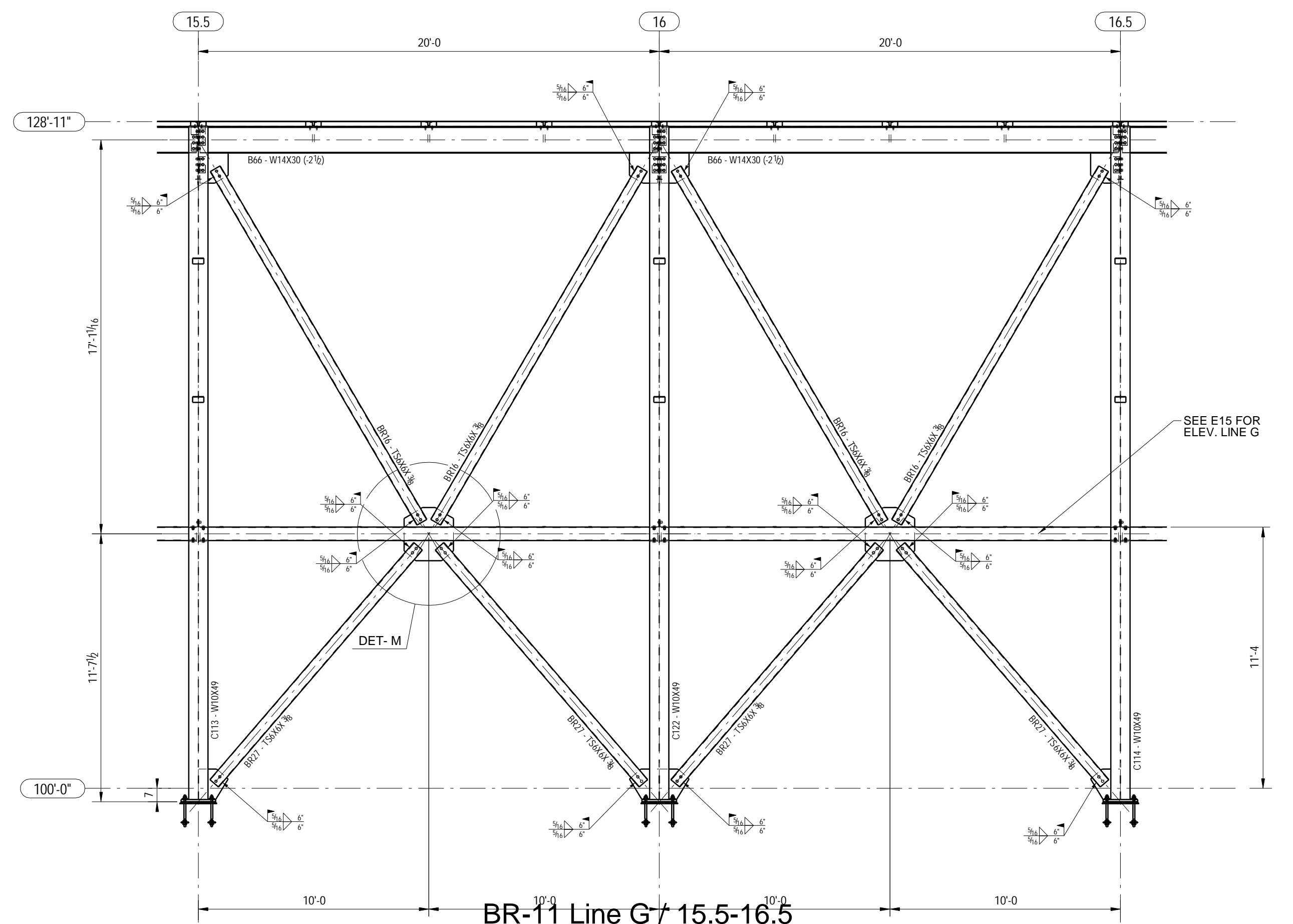
730 Madison Street Wrentham, Mass. 02593 Phone: (508) 354-5000	
JOB NAME: Atlas Box & Crating Company JOB LOCATION: Sutton, MA CONTRACTOR: DWG. TITLE: ZONE-13 Mezz Framing Plan DRAWN BY: KB CHECKED BY: CM DATE: 01/27/2009 DATE: 01/26/2009	
SHEET: E13	



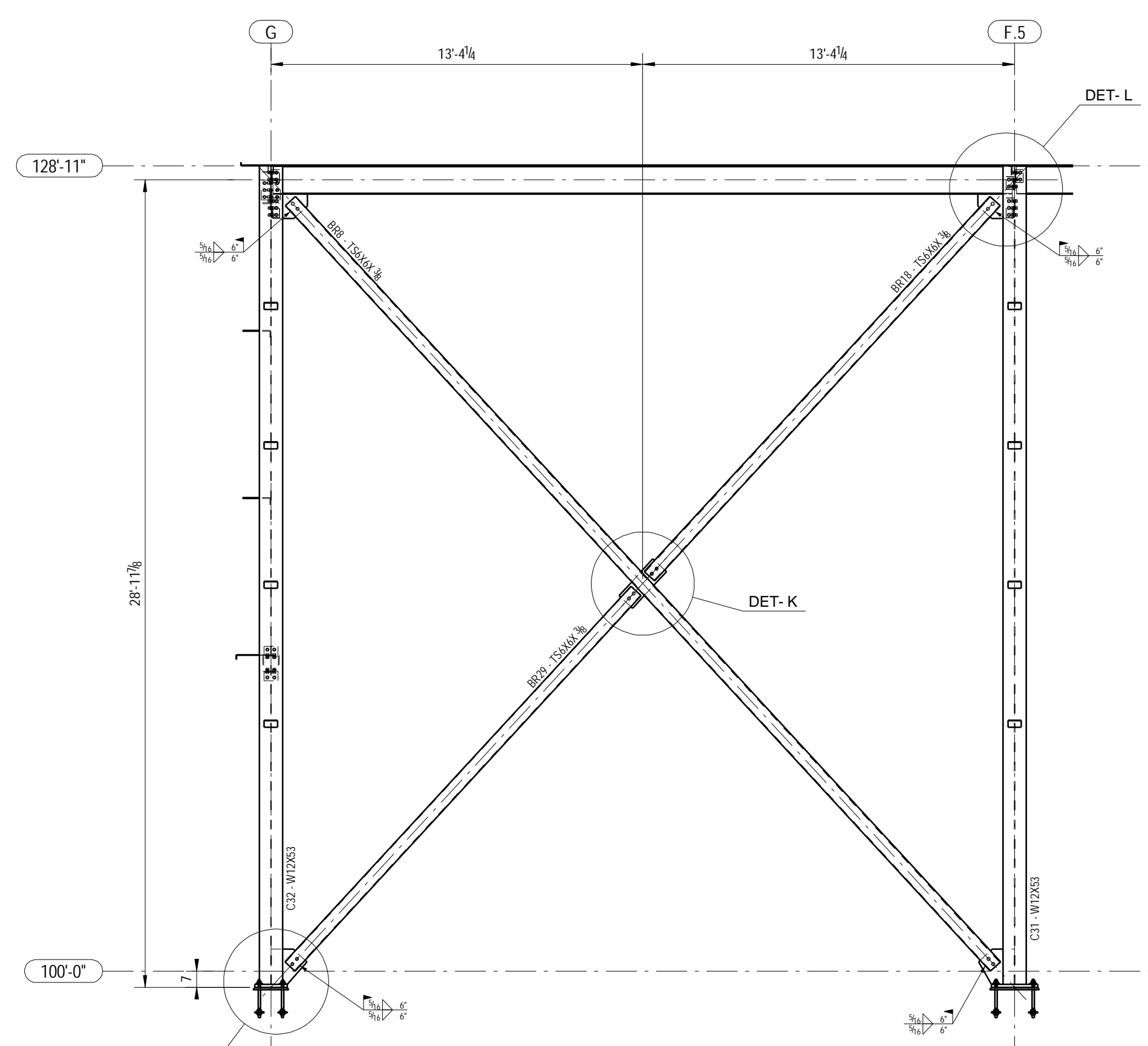
ROOF FRAMING PLAN

- TOJ = 128'-11" (UNO)
 - ALL JOIST OVER MAIN
 ROOF TO BE BOLTED

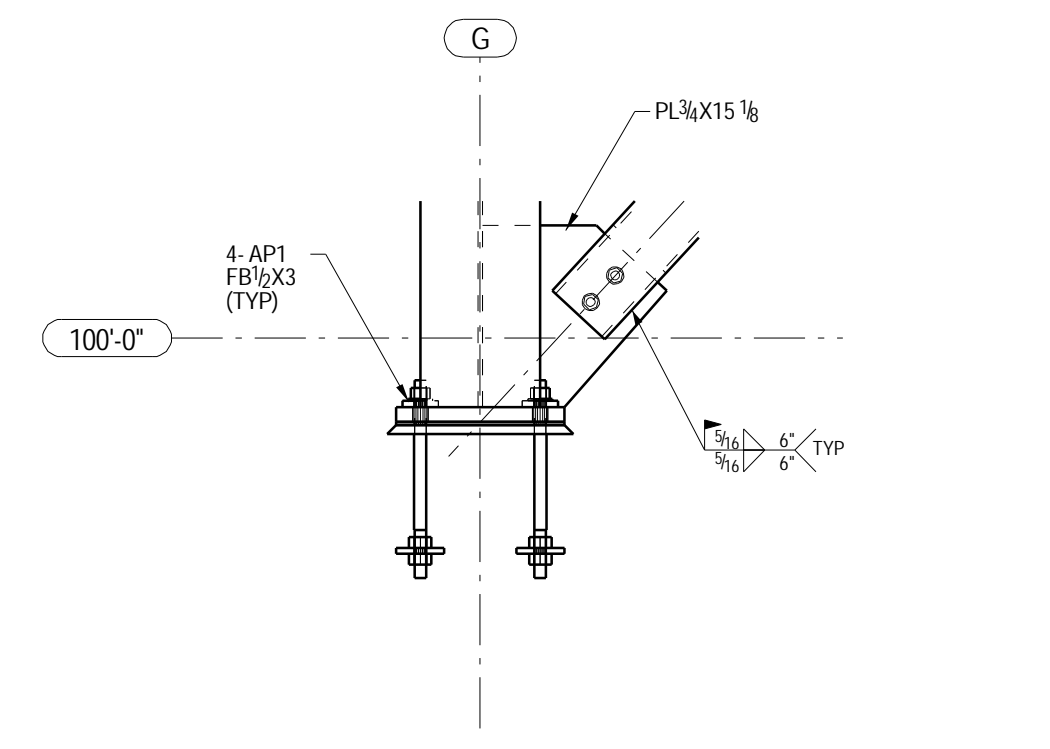
PLEASE PROVIDE ALL ROOF FRAME
 CLR OPENING DIM'S & LOCATIONS



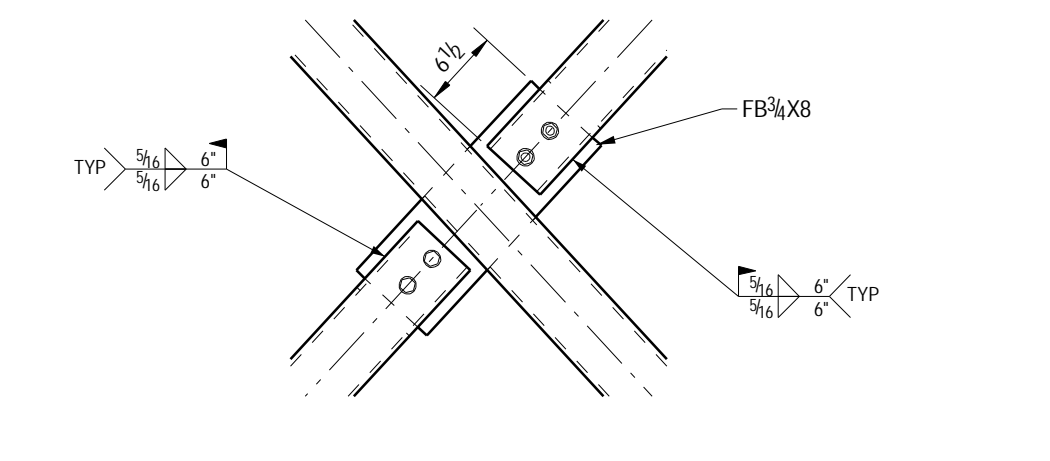
BR-11 Line G / 15.5-16.5



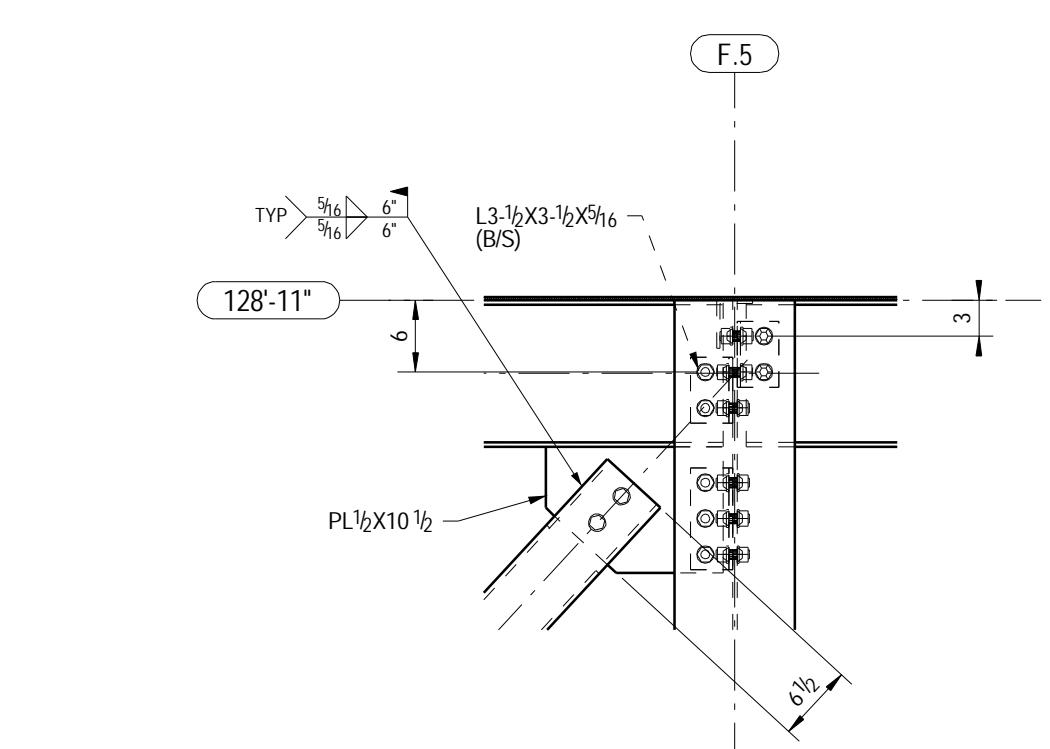
BR-14 Line 18 / G-F.5



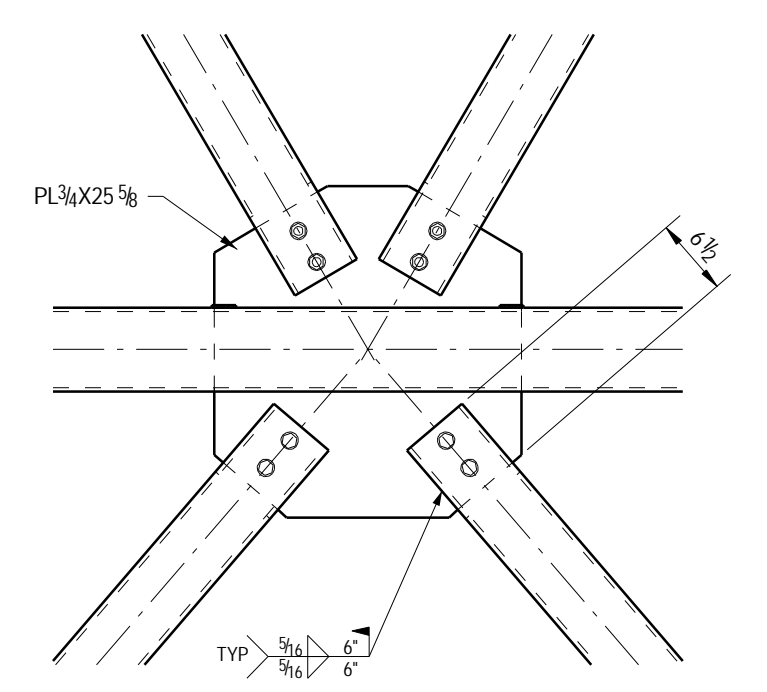
DETAIL - J



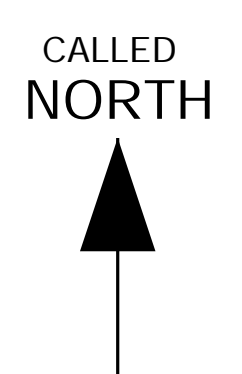
DETAIL - K



DETAIL - L

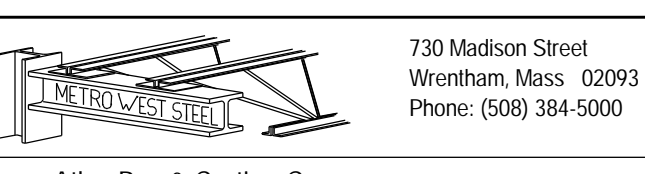


DETAIL - M

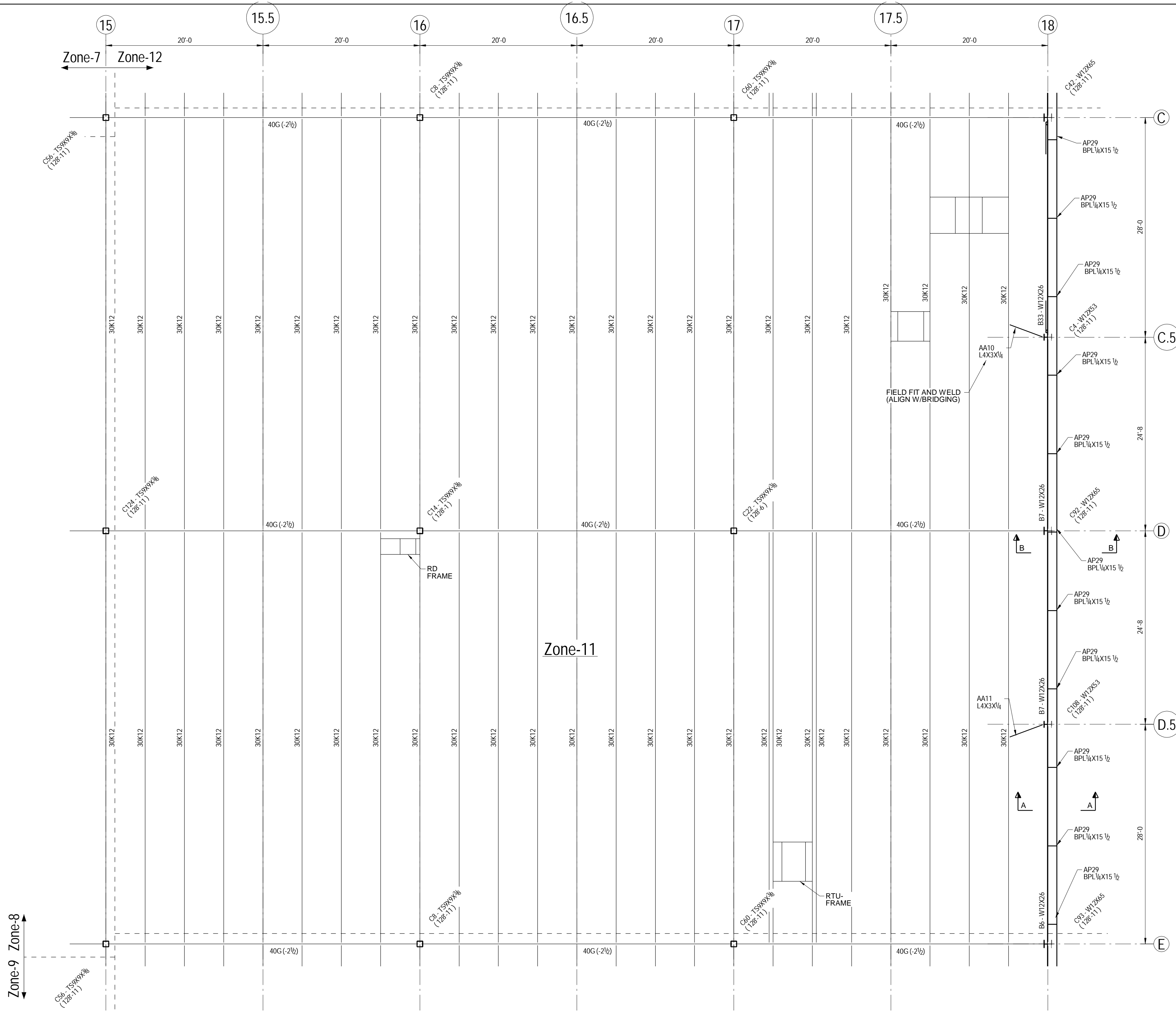


DATE	REMARKS
01/27/2009	A36 (UN)
	1 1/2x160 (UN)
	3/40 A325X_TC (UN)
	E70XX (UN)
	SSPC-SP2 (UN)
	GRAY (UN)

STEEL GRADE:	A36 (UN)	CONTRACTOR:	Atlas Box & Crating Company
STD HOLES:	1 1/2x160 (UN)	JOB LOCATION:	Sutton, MA
FIELD BOLTS:	3/40 A325X_TC (UN)	DWG. TITLE:	Zone-10 Framing Plan
WELDS:	E70XX (UN)	DATE:	01/27/2009
SURF. PREP:	SSPC-SP2 (UN)	CHECK BY:	CM
PAINT:	GRAY (UN)	DATE:	01/28/2009



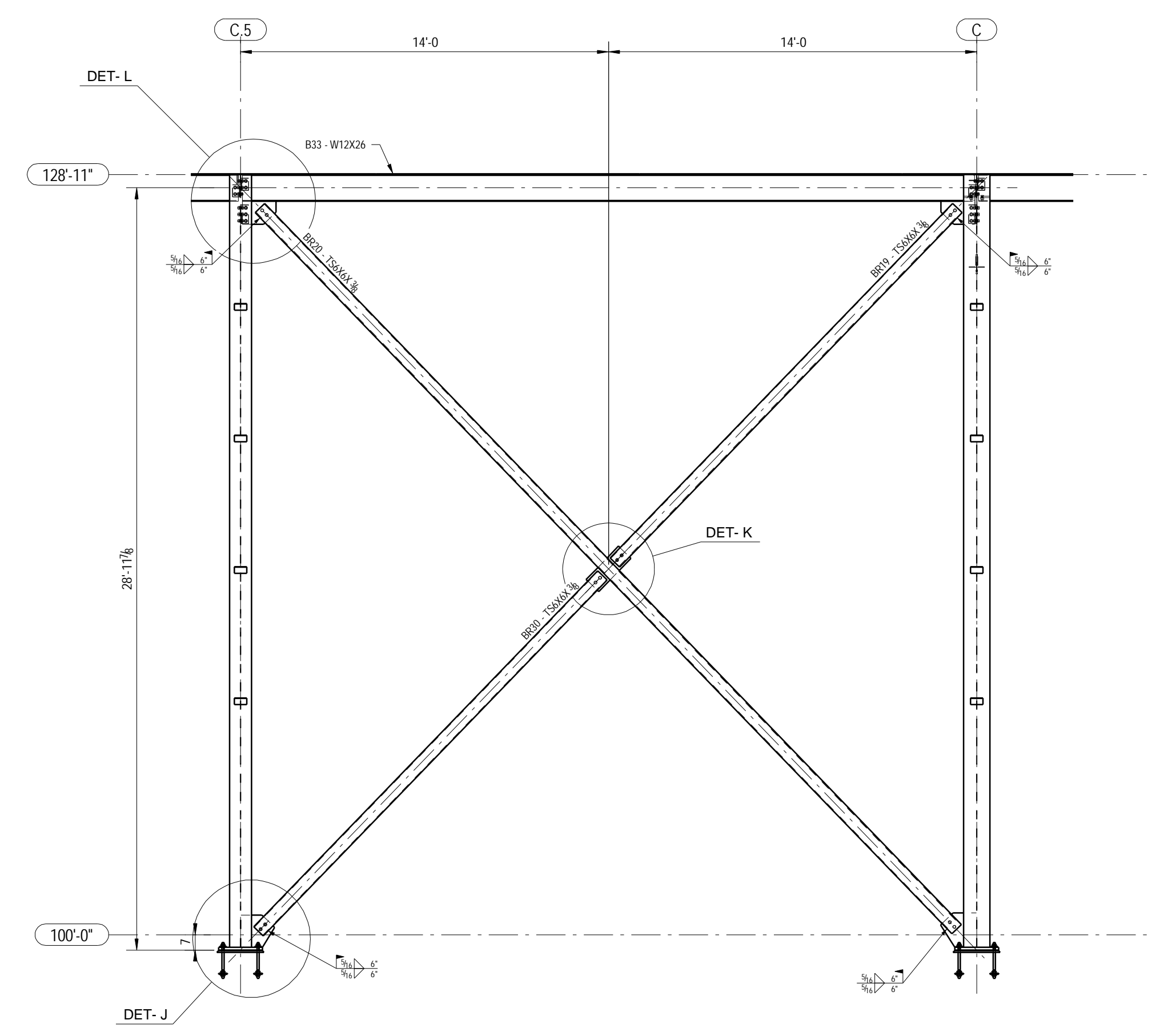
730 Madison Street
 Wrentham, Mass. 02593
 Phone: (508) 354-5000



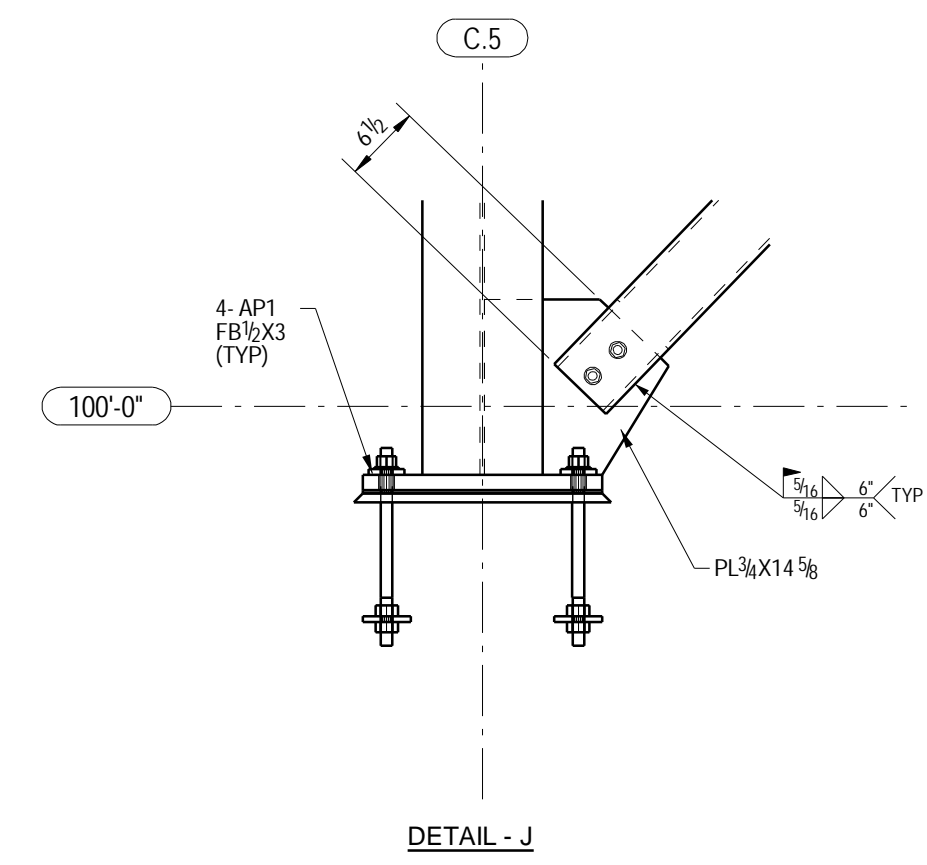
ROOF FRAMING PLAN

- TOJ = 128'-11" (UNO)
 - ALL JOIST OVER MAIN ROOF TO BE BOLTED

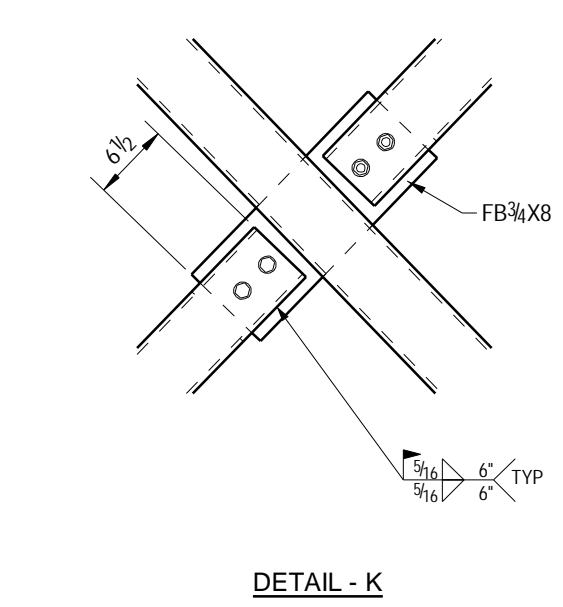
PLEASE PROVIDE ALL ROOF FRAME CLR OPENING DIM'S & LOCATIONS



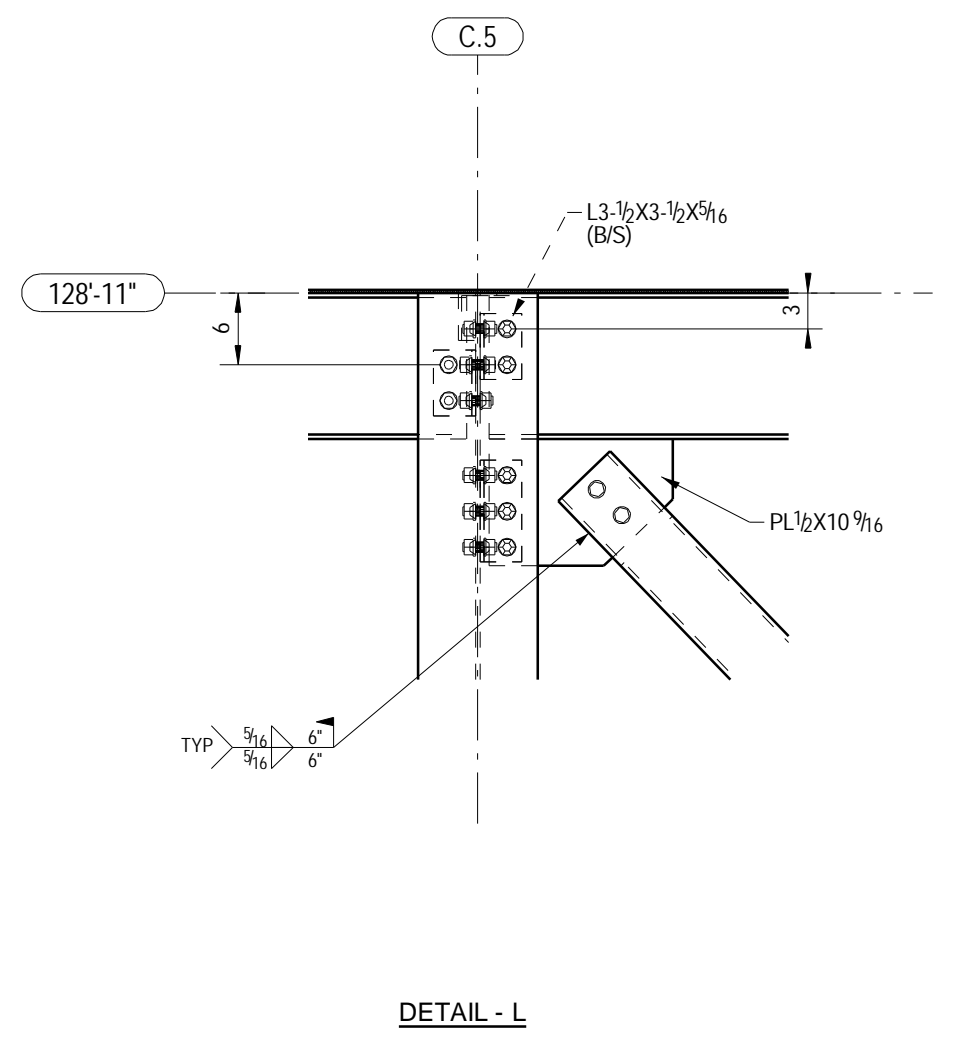
BR-15 Line 18 / C.5-C



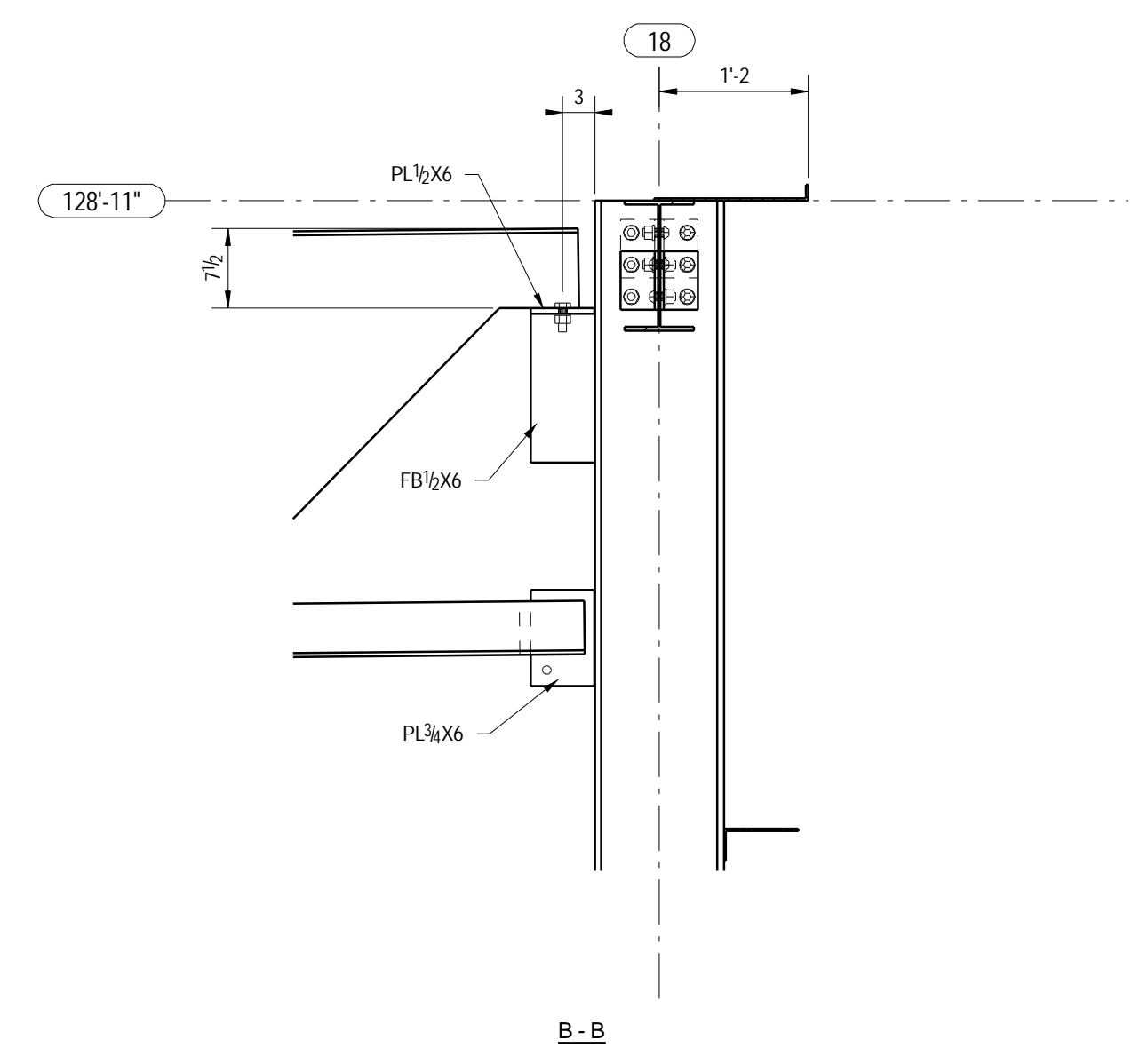
DETAIL - J



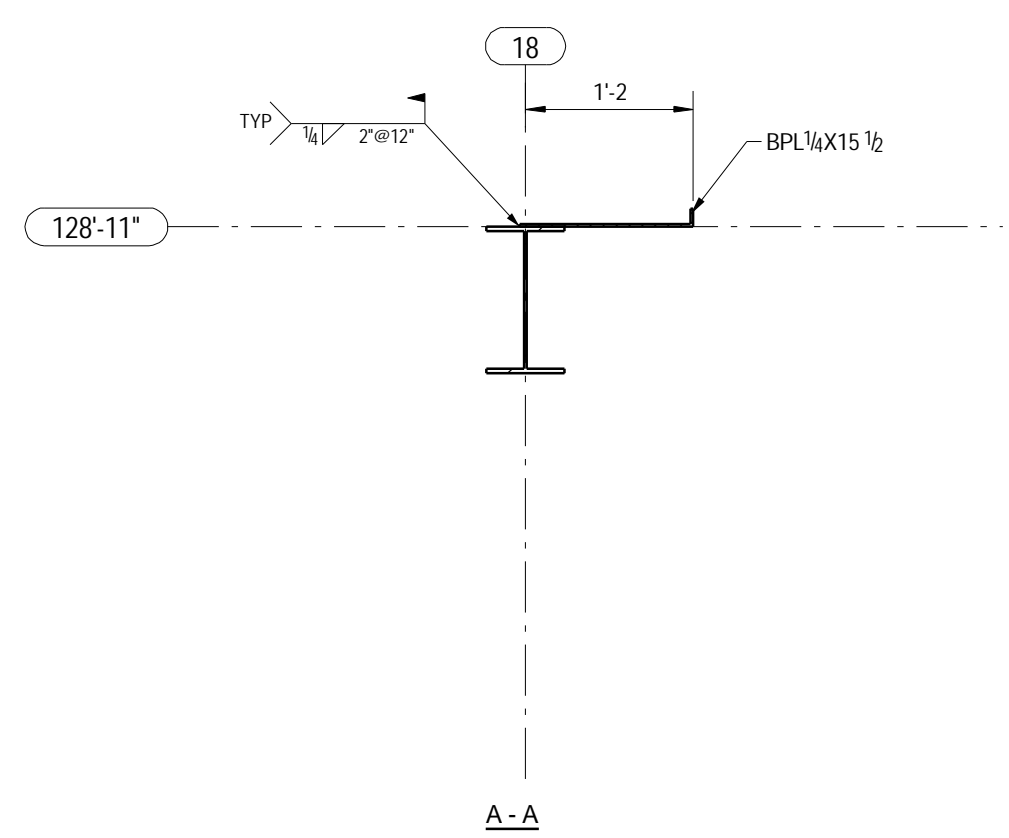
DETAIL - K



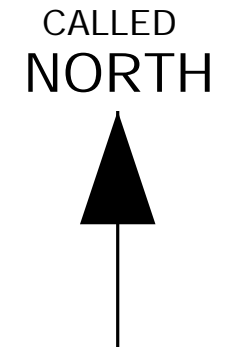
DETAIL - L



B-B



A-A

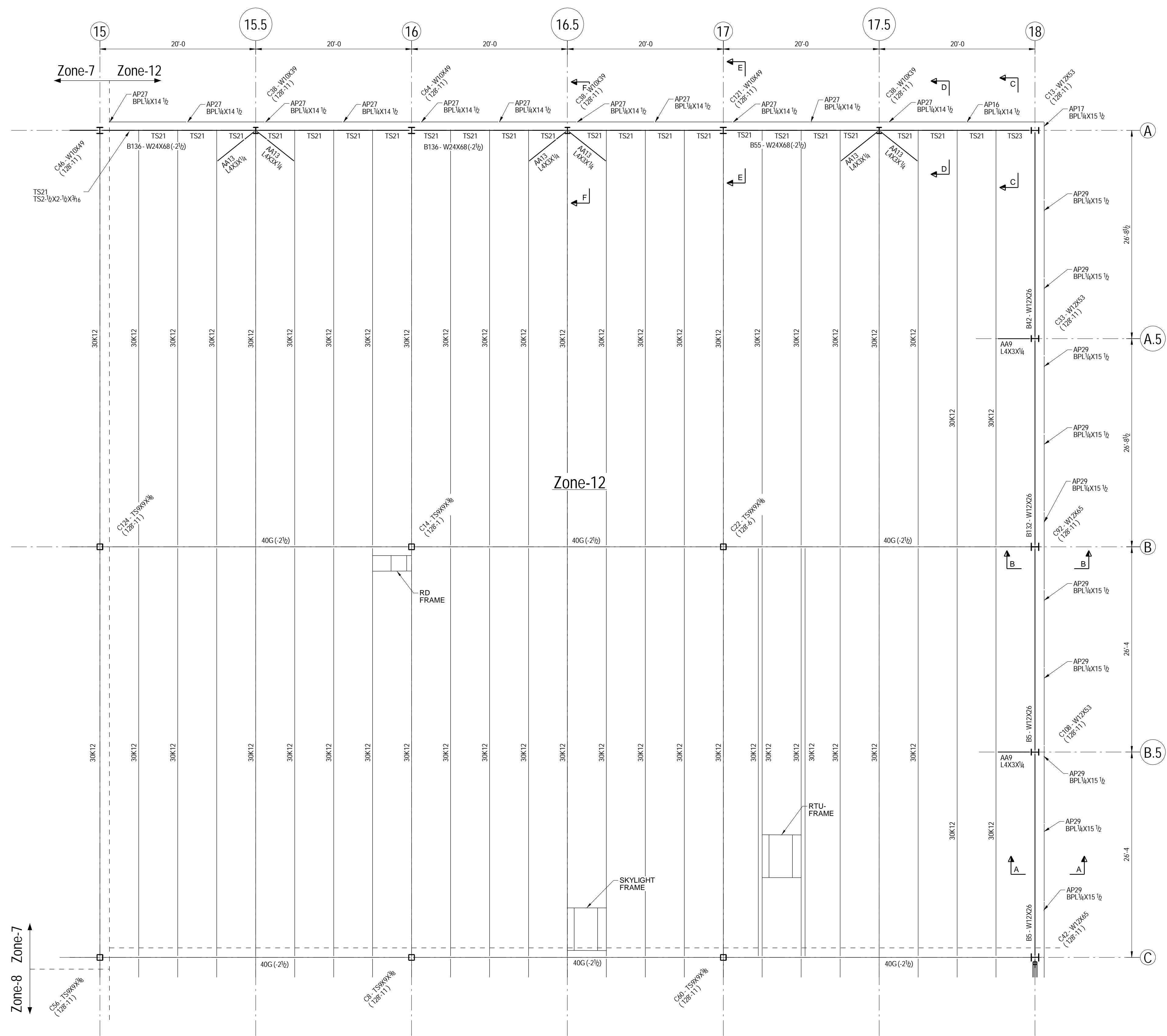


DATE	REMARKS
	A36 (UN)
	1 1/2" (UN)
	3/4" A325X_TC (UN)
	E70XX (UN)
	SSPC-SP2 (UN)
	GRAY (UN)

STEEL GRADE:	A36 (UN)	REMARKS:	
STD HOLES:	1 1/2" (UN)	JOB NAME:	Atlas Box & Crating Company
FIELD BOLTS:	3/4" A325X_TC (UN)	JOB LOCATION:	Sutton, MA
WELDS:	E70XX (UN)	CONTRACTOR:	
SURF. PREP:	SSPC-SP2 (UN)	DWG. TITLE:	Zone-11 Framing Plan
PAIN:	GRAY (UN)	DRAWN BY:	KB
		CHECKED BY:	CM
		DATE:	01/27/2009
		DATE:	01/28/2009
		JOB NUMBER:	502-08

730 Madison Street
 Wrentham, Mass. 02093
 Phone: (508) 384-5000

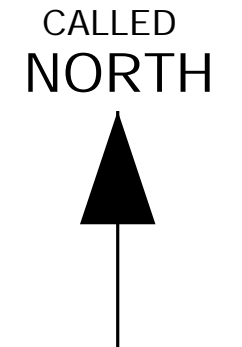
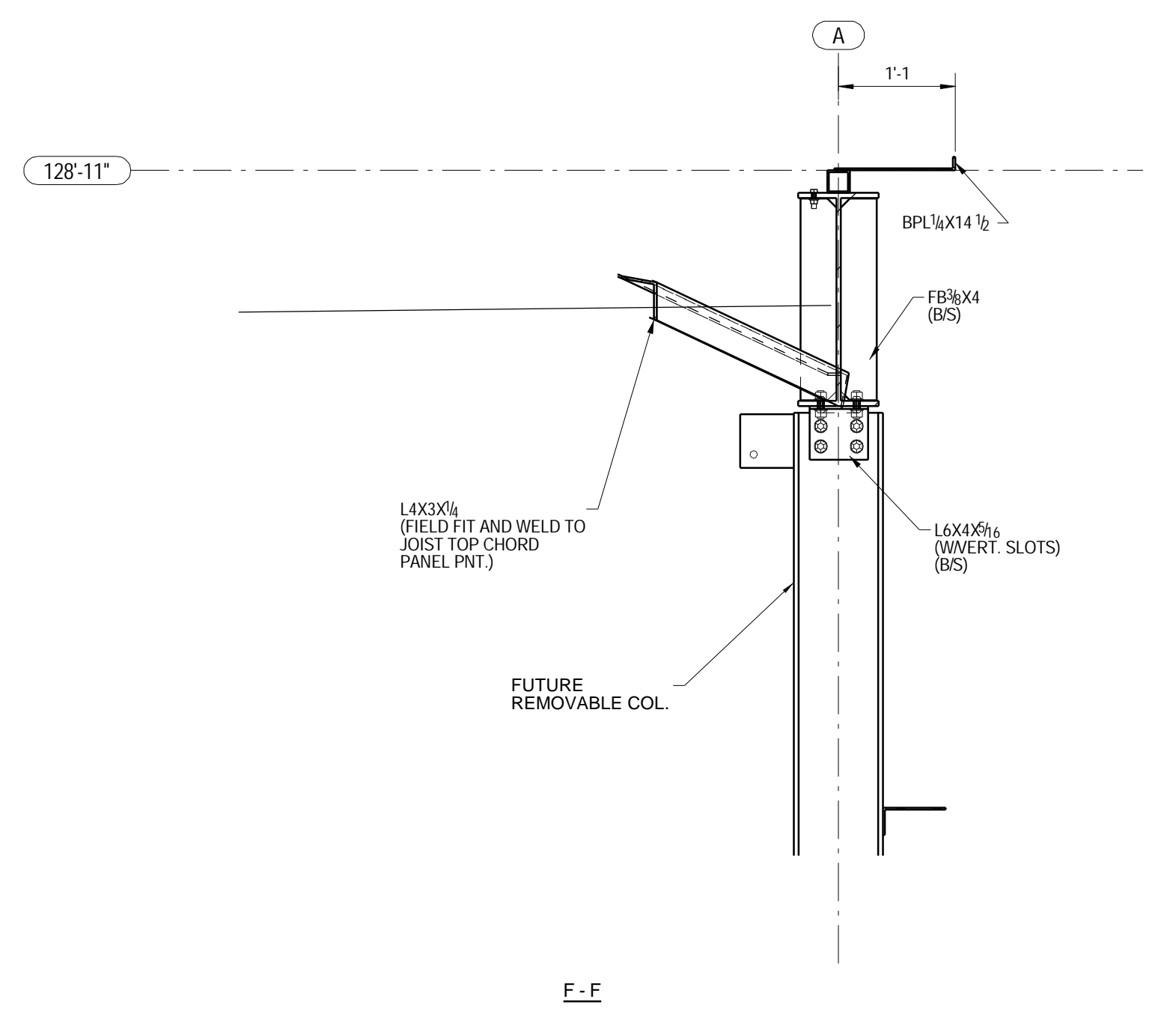
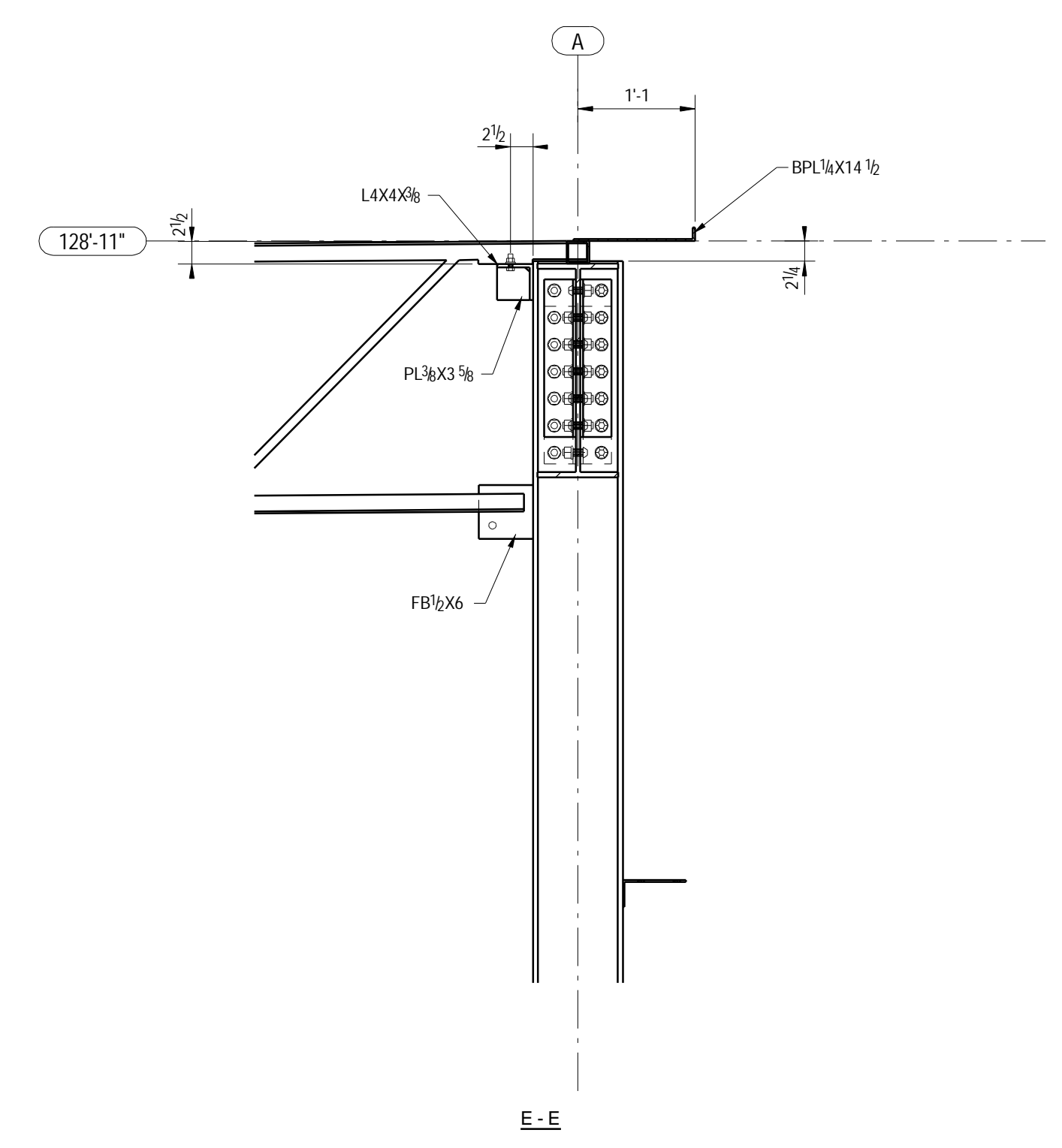
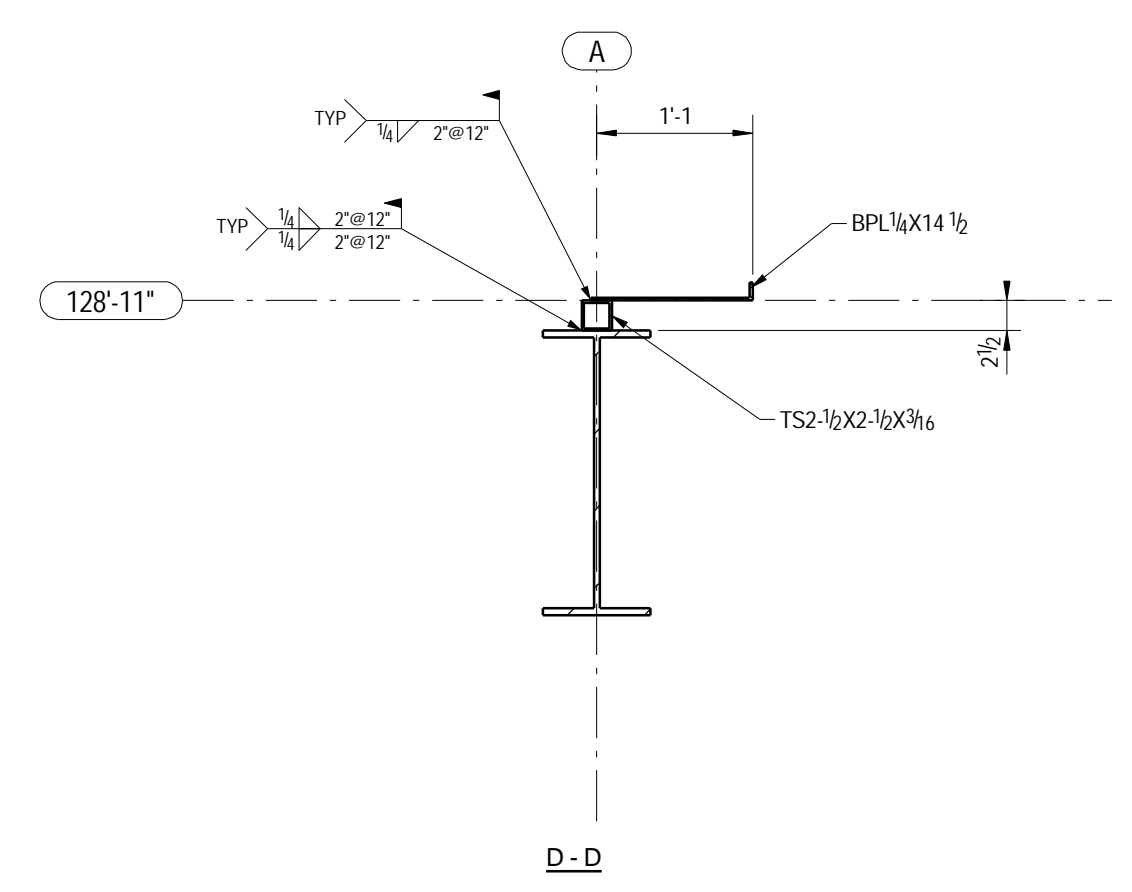
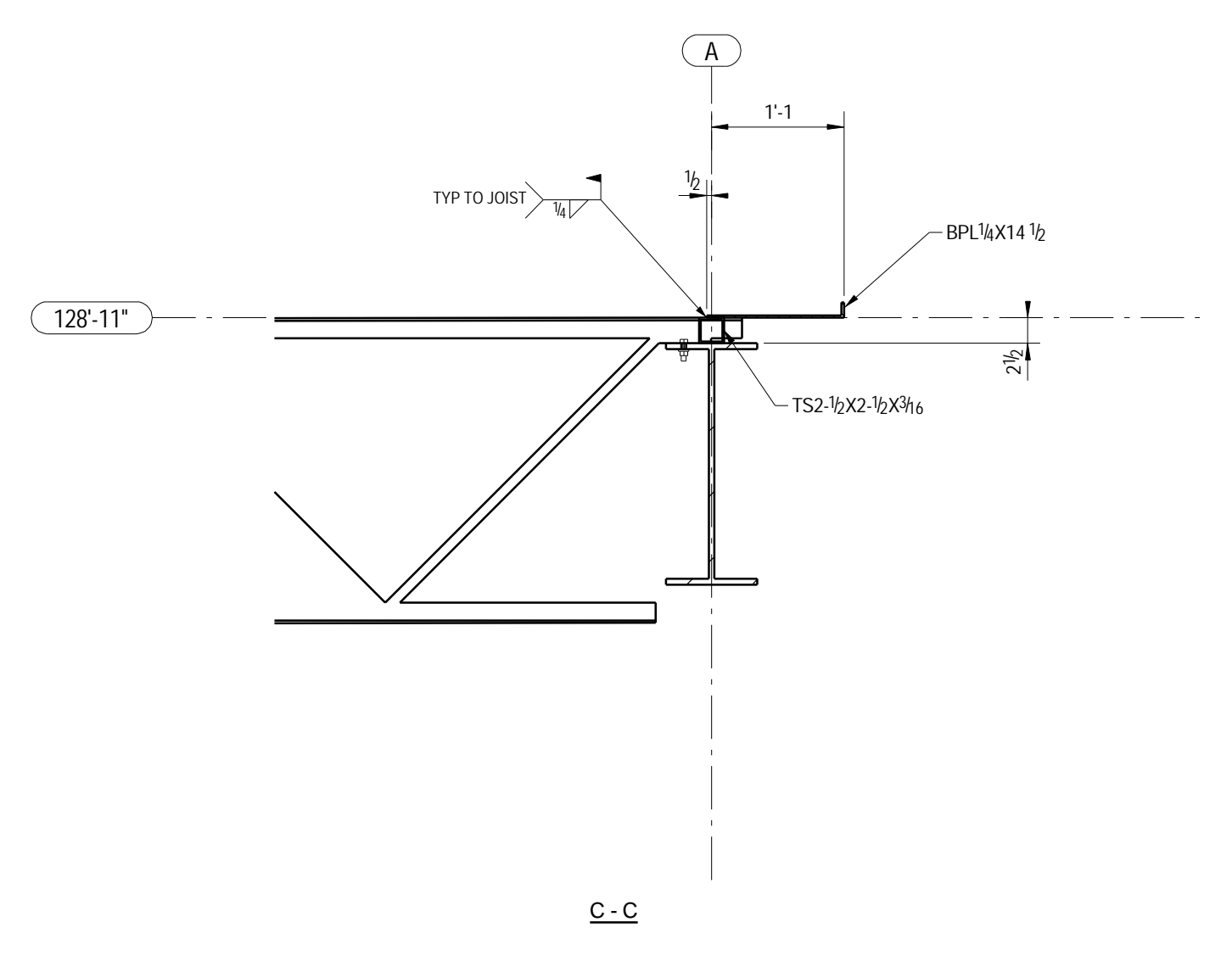
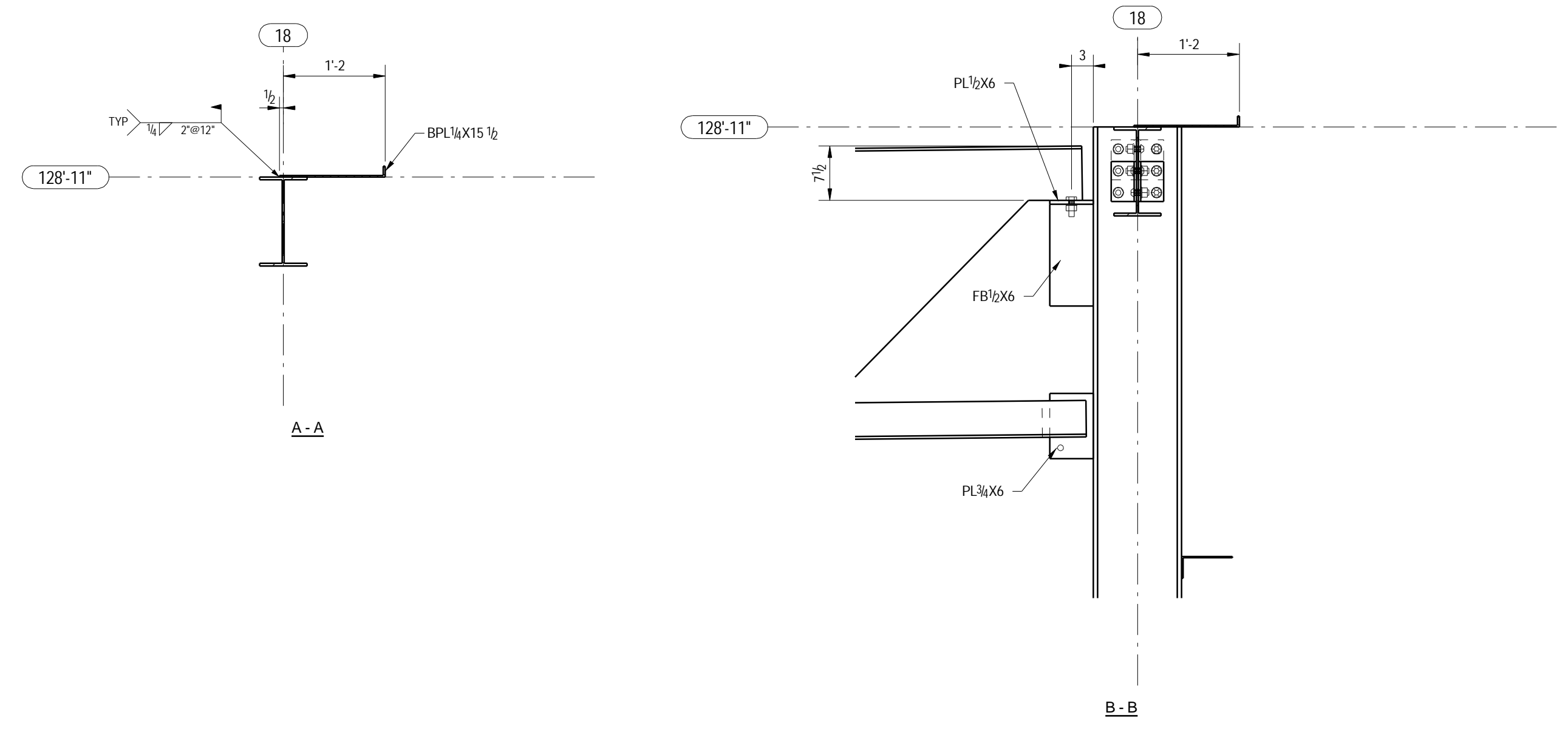
E11



ROOF FRAMING PLAN

- TOJ = 128'-11" (UNO)
 - ALL JOIST OVER MAIN ROOF TO BE BOLTED

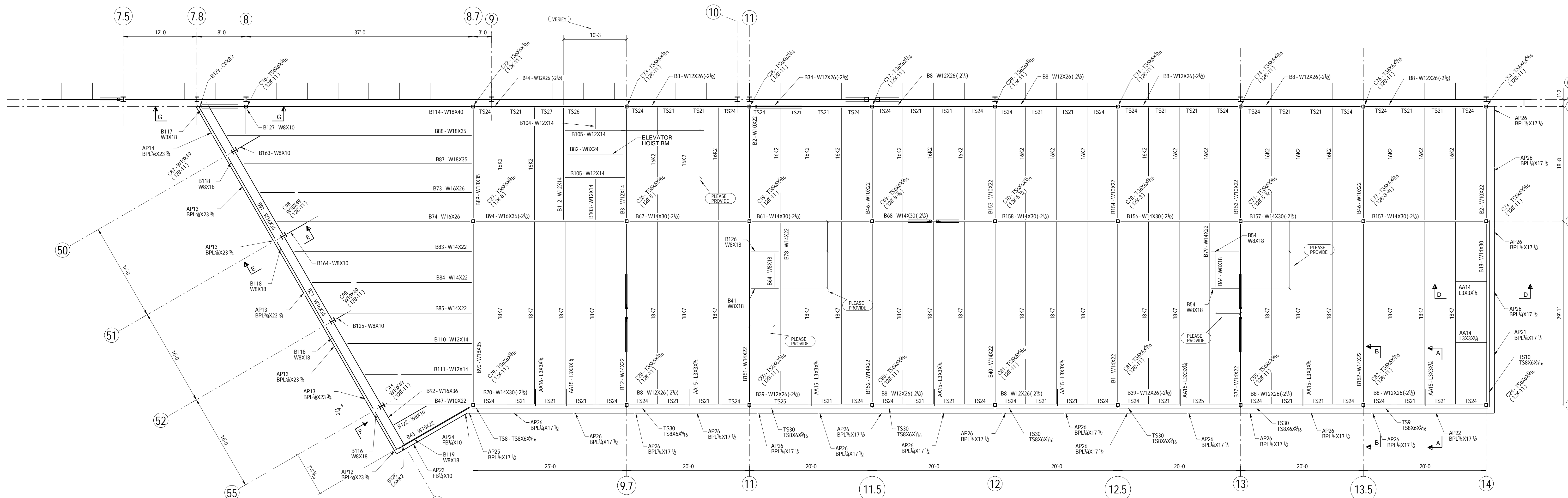
PLEASE PROVIDE ALL ROOF FRAME CLR OPENING DIM'S & LOCATIONS



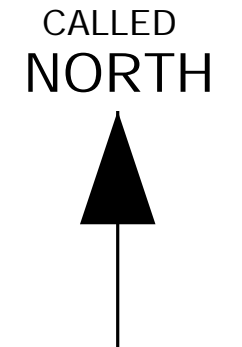
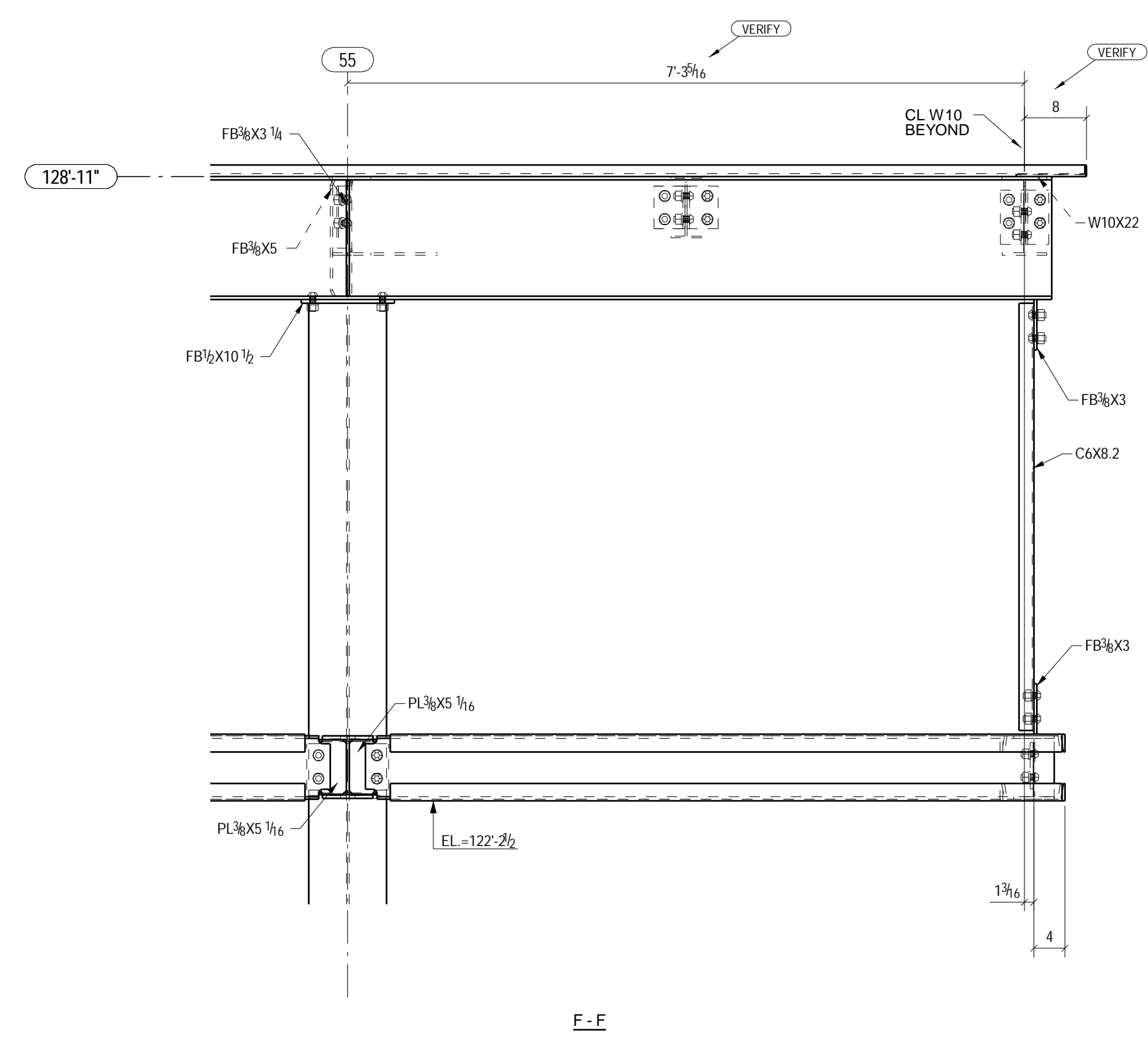
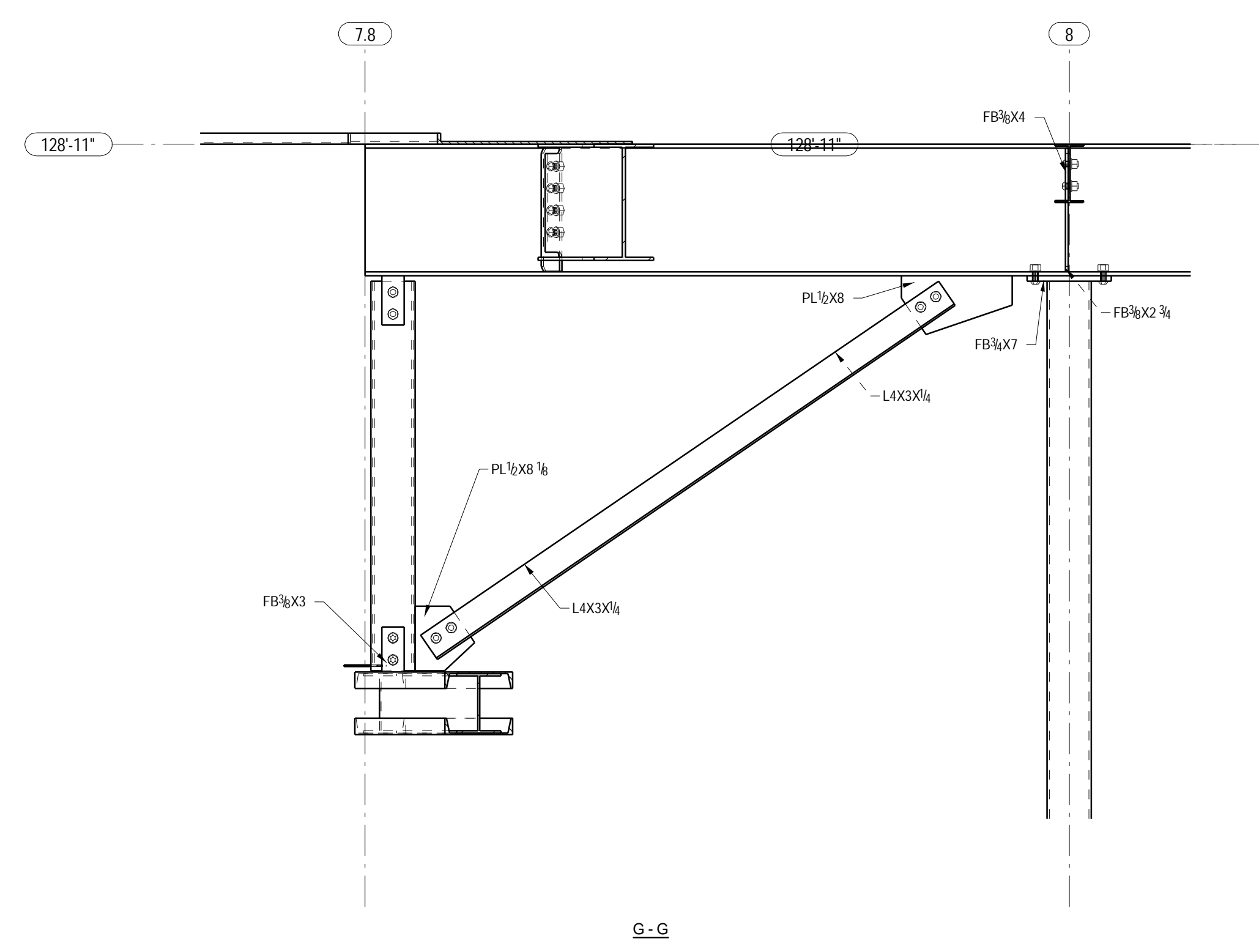
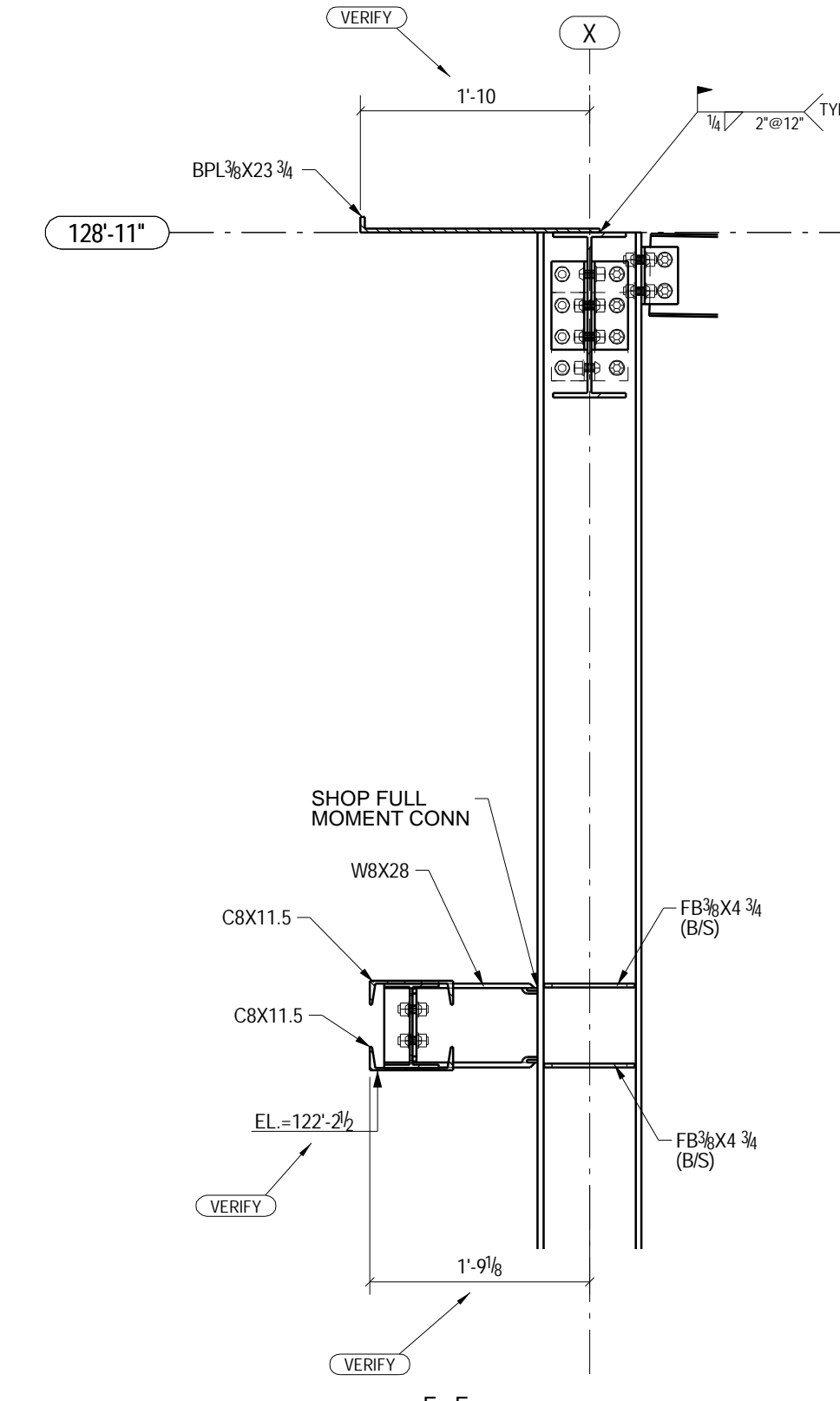
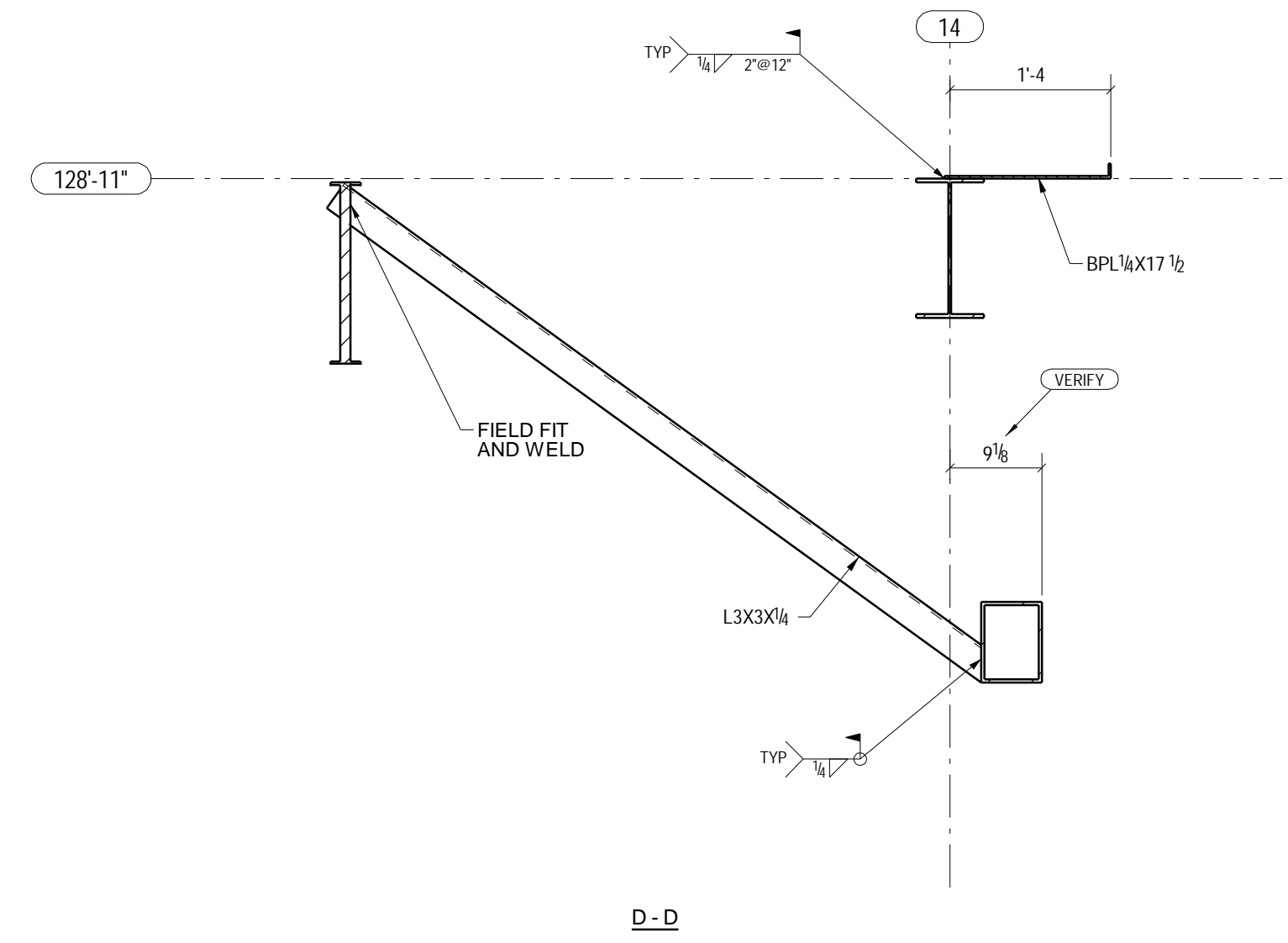
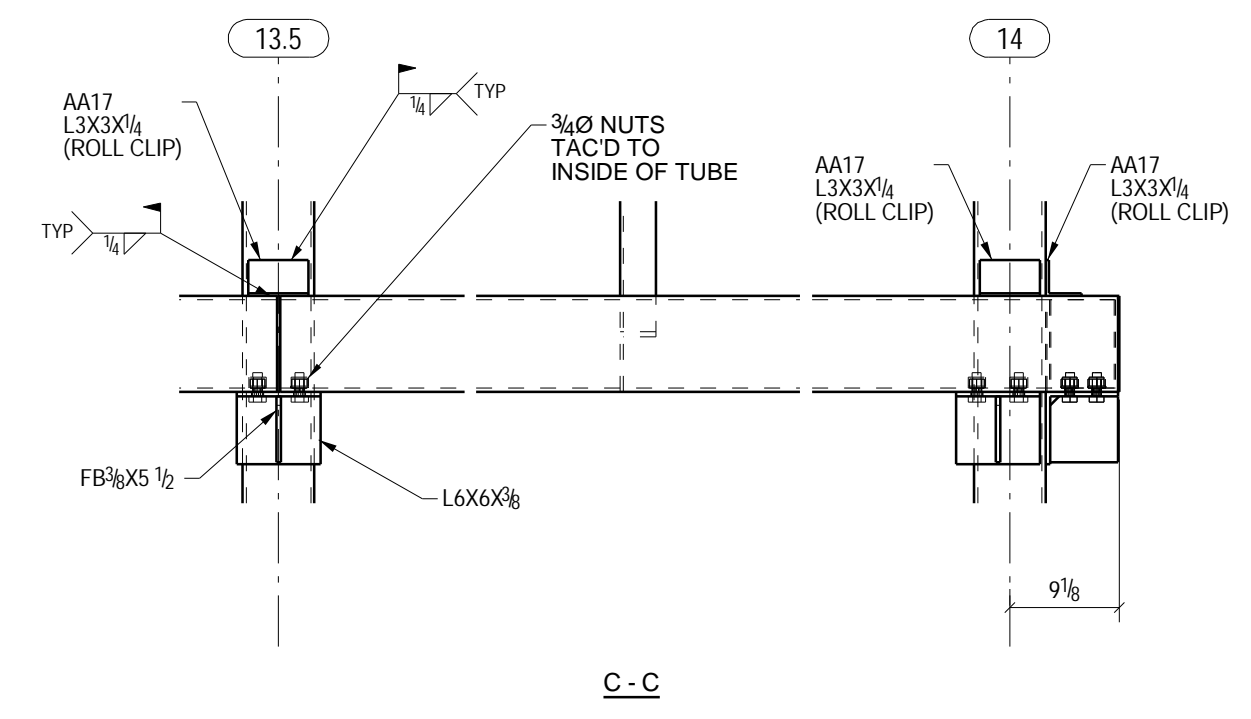
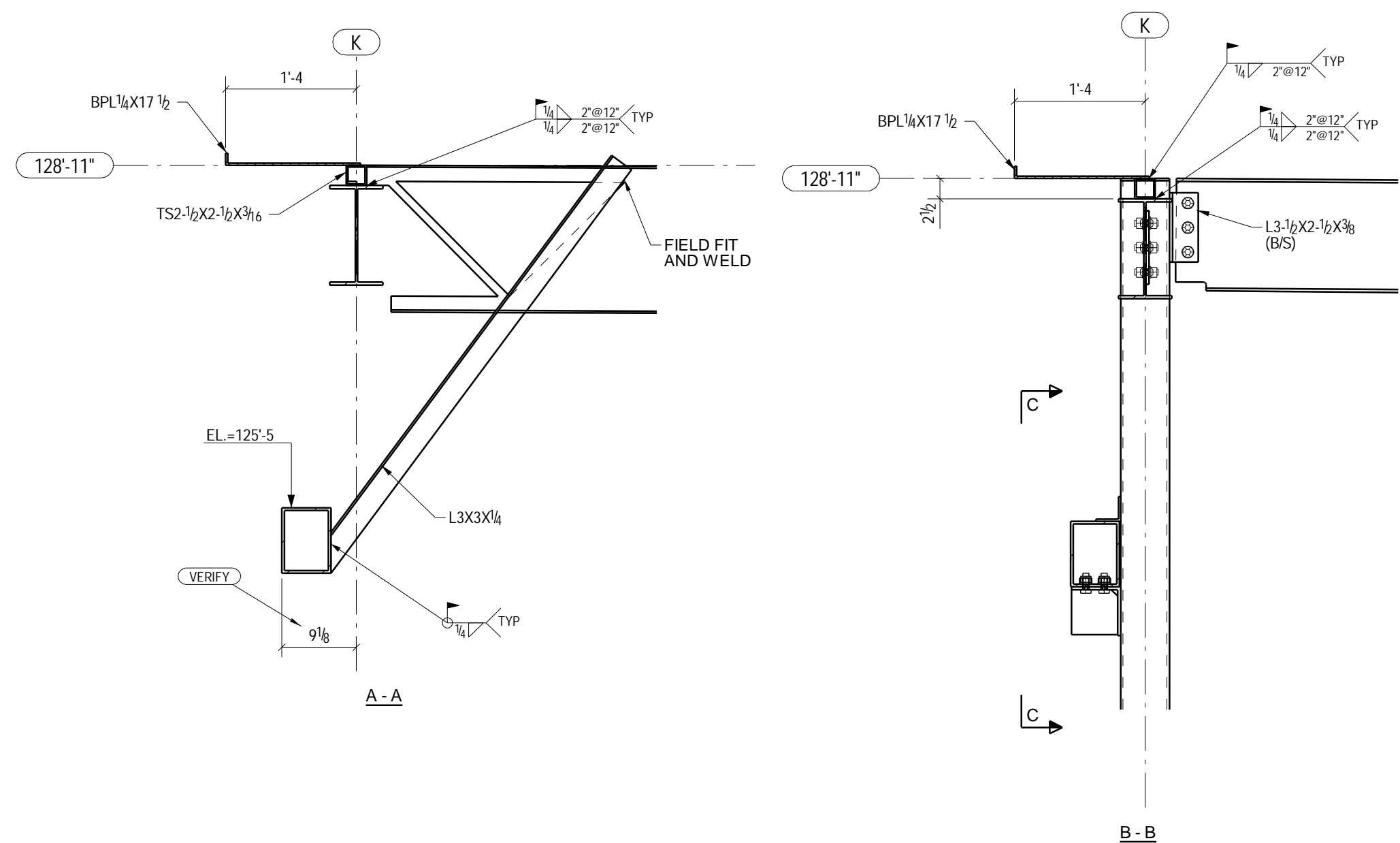
DATE	REMARKS
	A36 (UN)
	1 1/2" DIA (UN)
	3/4" A325X_TC (UN)
	E70XX (UN)
	SSPC-SP2 (UN)
	GRAY (UN)

STEEL GRADE:	A36 (UN)	STANDARD:	AISC 135
STD HOLES:	1 1/2" DIA (UN)	JOB NAME:	Atlas Box & Crating Company
FIELD BOLTS:	3/4" A325X_TC (UN)	JOB LOCATION:	Sutton, MA
WELDS:	E70XX (UN)	CONTRACTOR:	
SURF. PREP:	SSPC-SP2 (UN)	DWG. TITLE:	Zone-12 Framing Plan
PAINT:	GRAY (UN)	DRAWN BY:	KB
		CHECKED BY:	CM
		DATE:	01/27/2009

730 Madison Street Wrentham, Mass. 02593 Phone: (508) 354-5000	
SHEET: E12	

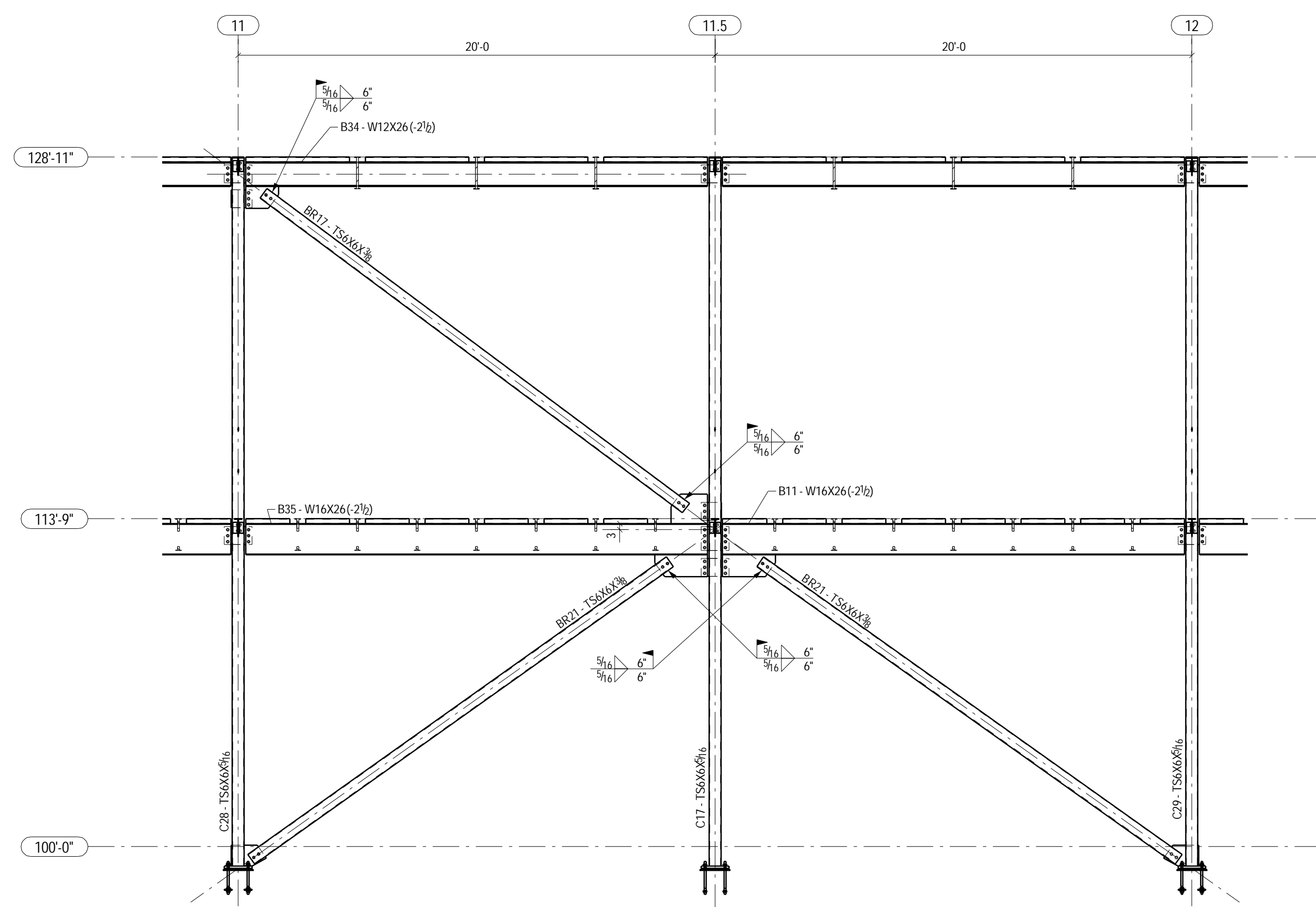


ROOF FRAMING PLAN
 - TO J = 128'-11" (UNO)
 - ALL JOIST OVER MAIN ROOF TO BE BOLTED

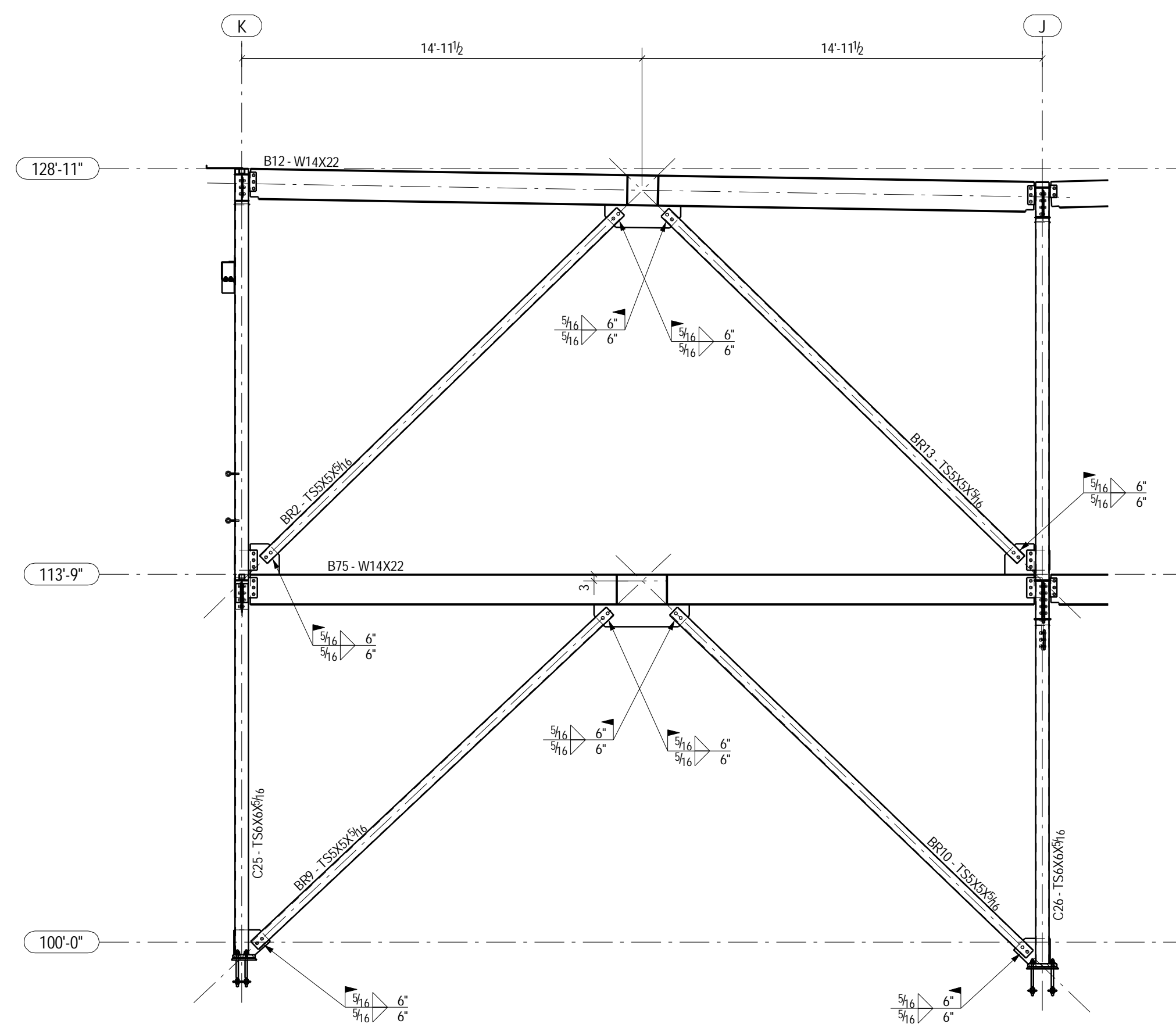


DATE	REMARKS
A36 (UN)	
1 1/2x160 (UN)	
3/40 A325X_TC (UN)	
E70XX (UN)	
SSPC-SP2 (UN)	
GRAY (UN)	

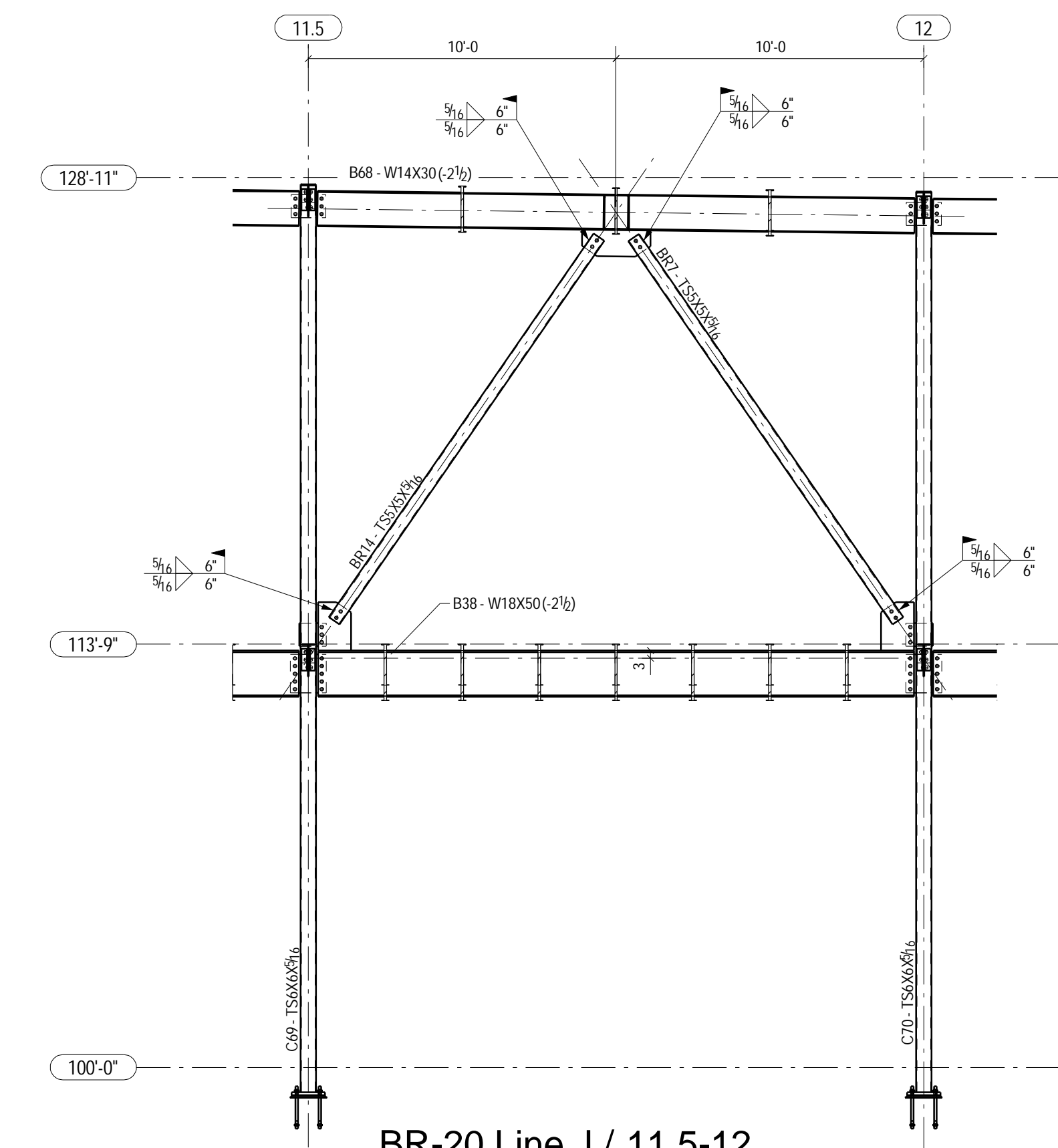
730 Madison Street Wrentham, Mass. 02593 Phone: (508) 384-5000	JOB NAME: Atlas Box & Crating Company JOB LOCATION: Sutton, MA CONTRACTOR: DWG. TITLE: ZONE-14 Roof Framing Plan SHEET: E14
----------------------------------------------------------------------	-----------------------------------------------------------------------------------------------------------------------------------------



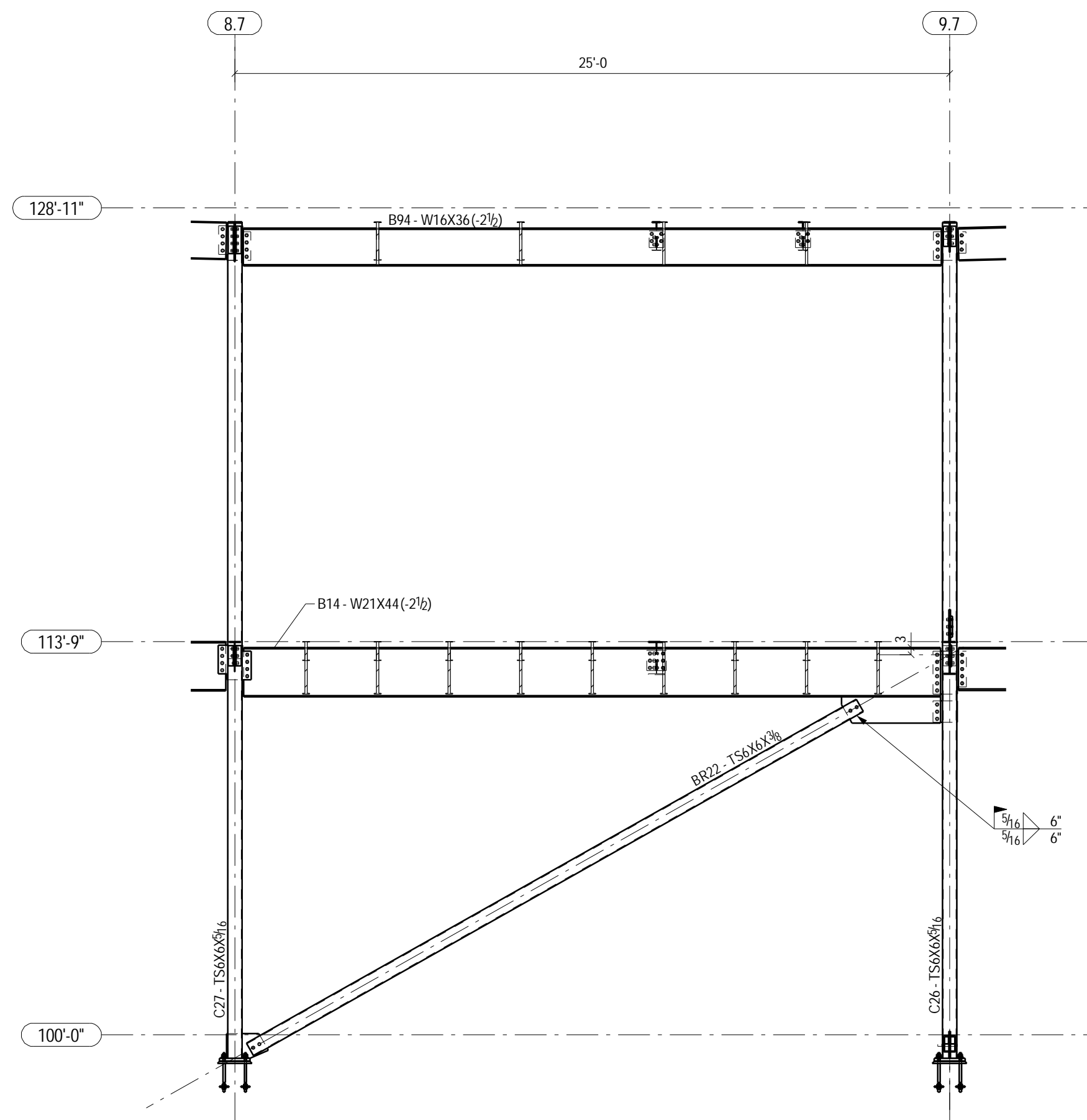
BR-16 Line H / 11-12



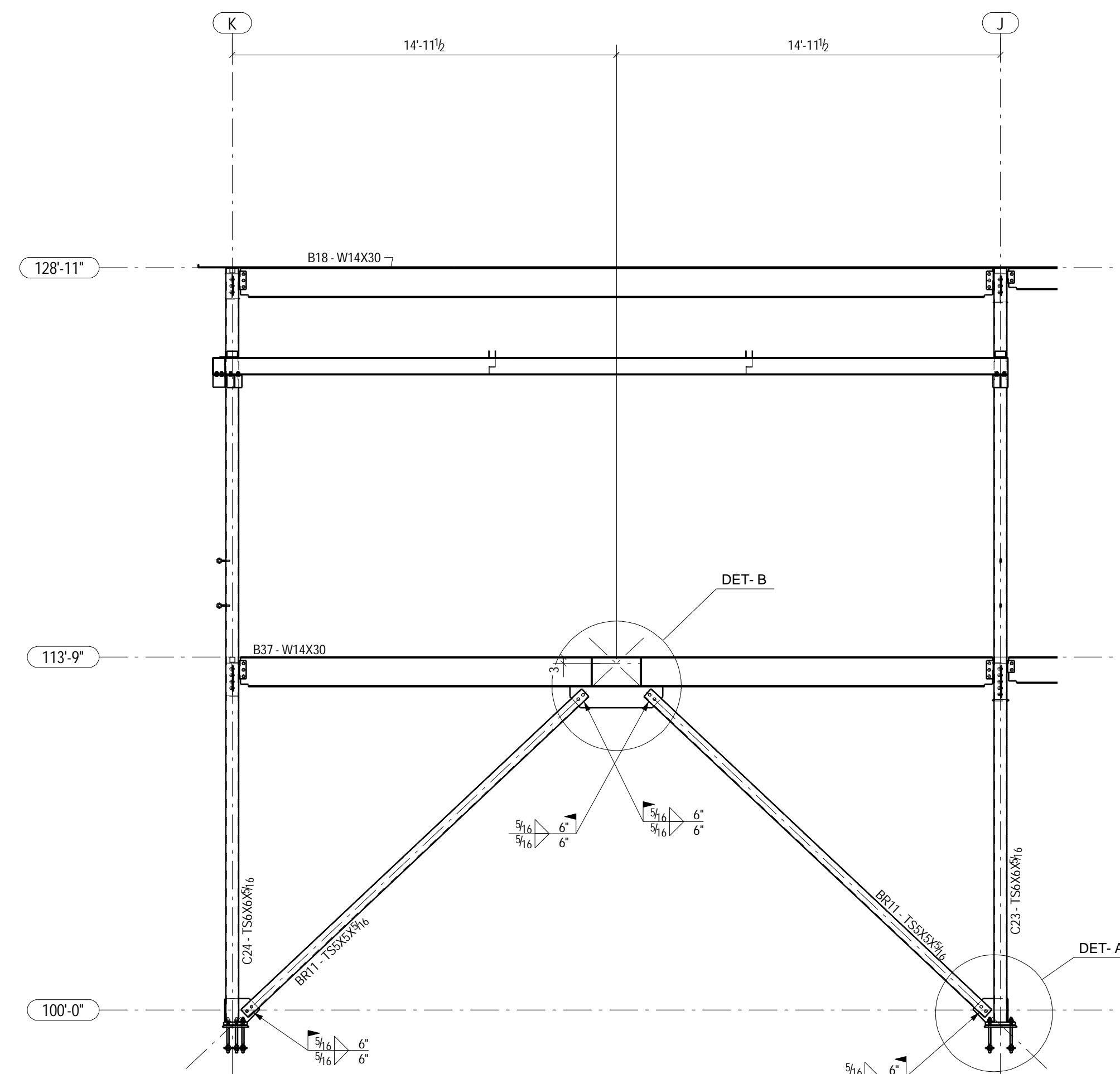
BR-18 Line 9.7 / K-J



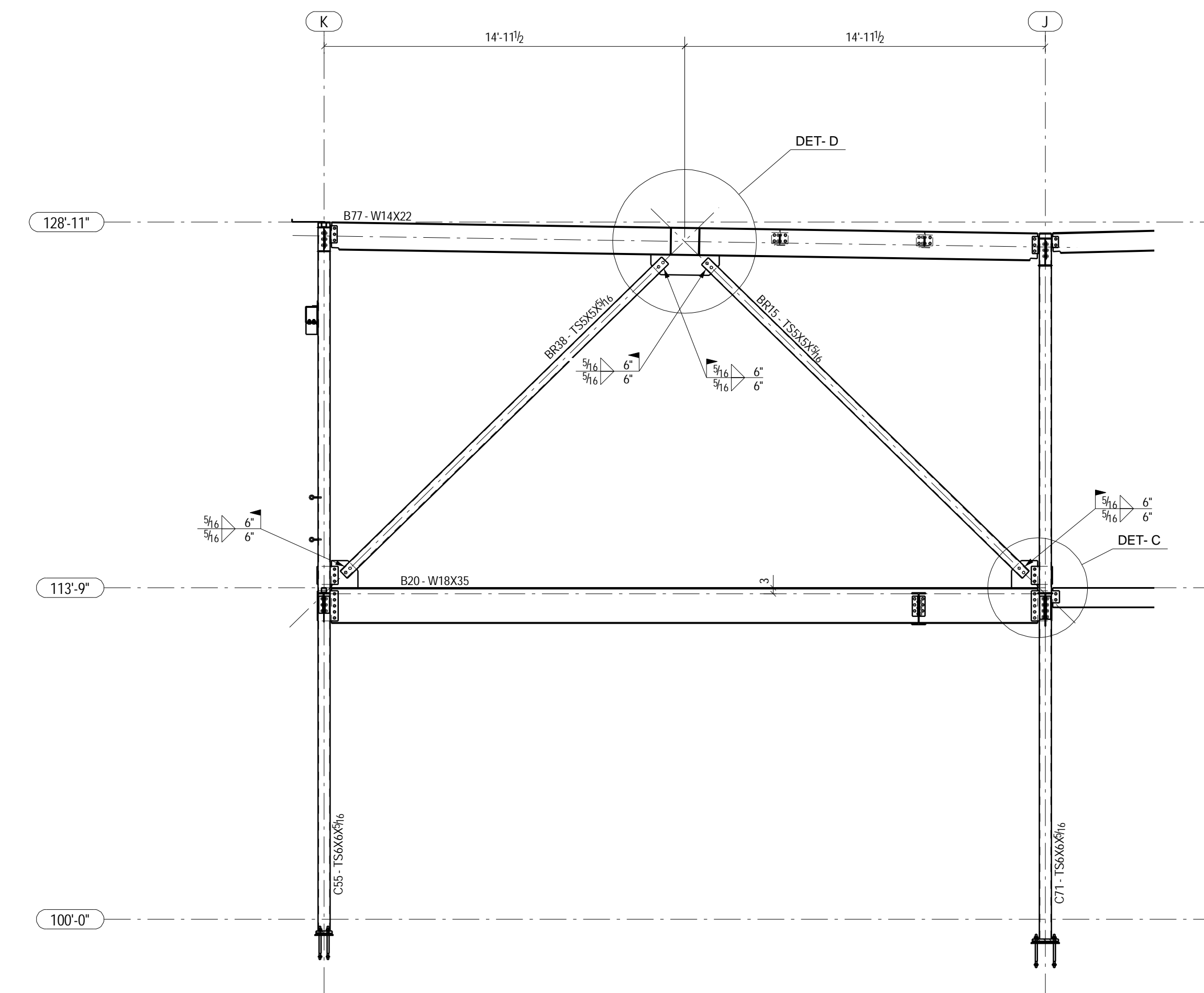
BR-20 Line J / 11.5-12



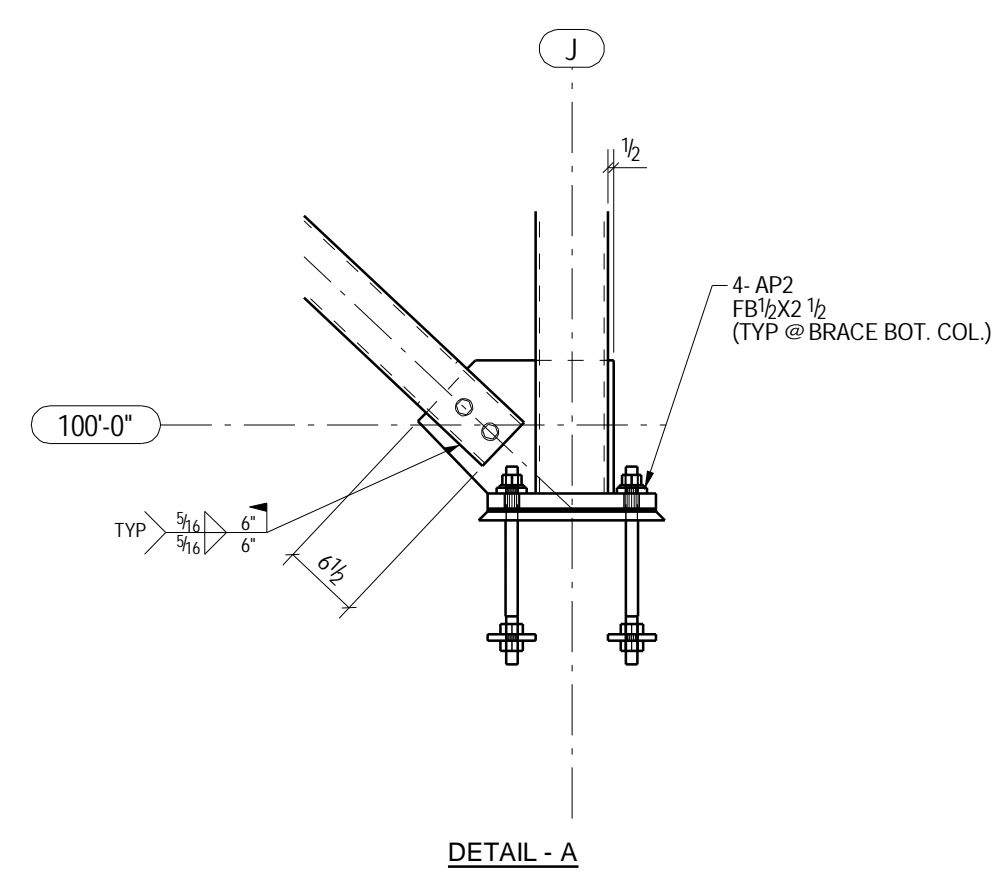
BR-17 Line J / 8.7-9.7



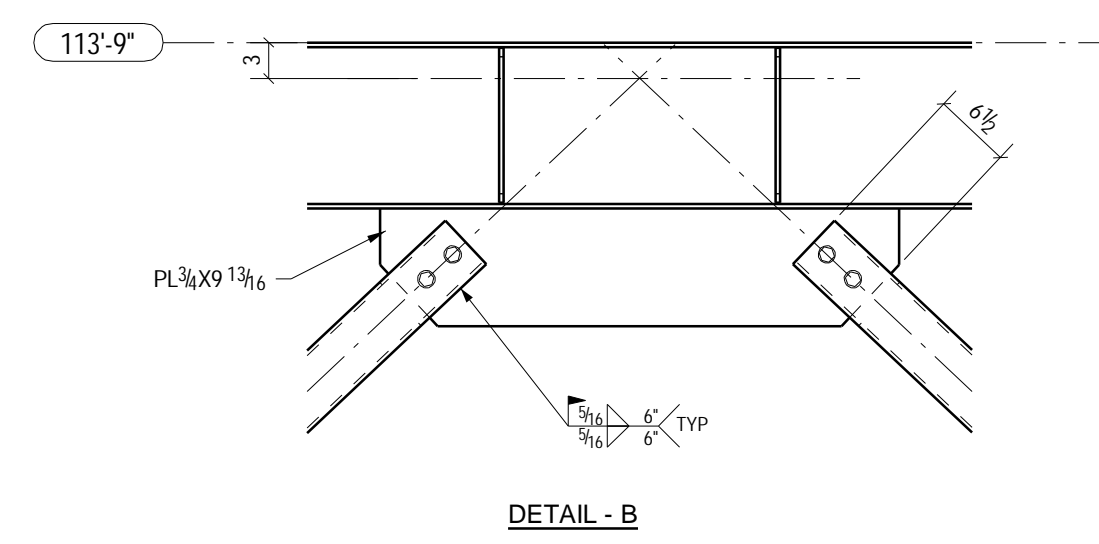
BR-19 Line 14 / K-J



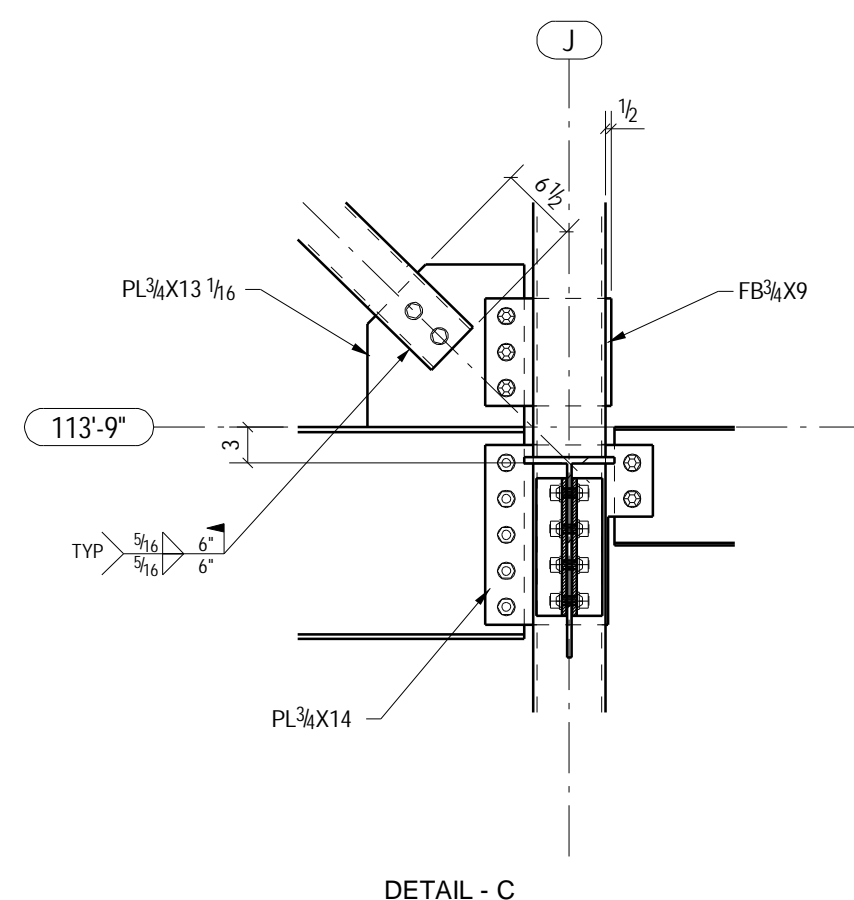
BR-21 Line 13 / K-J



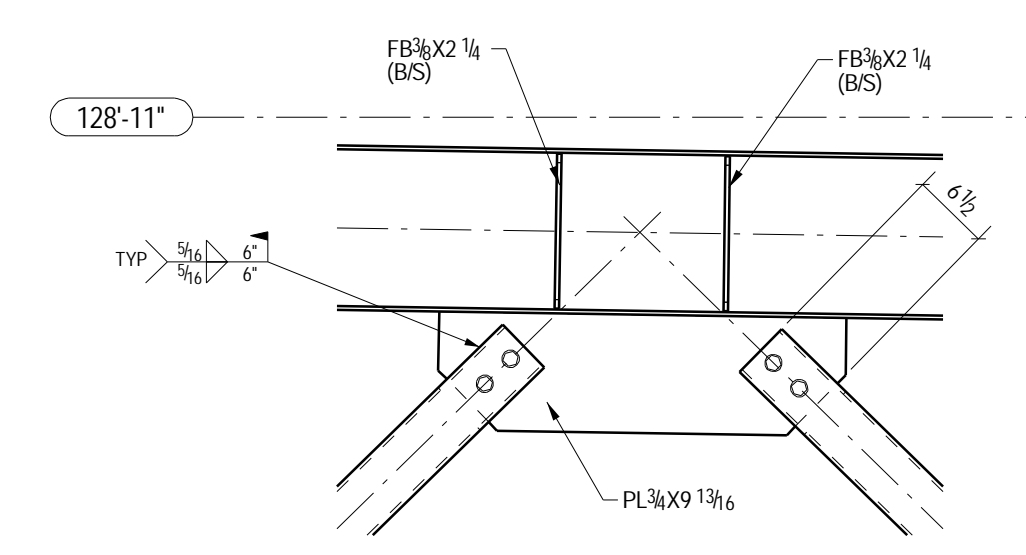
DETAIL - A



DETAIL - B



DETAIL - C



DETAIL - D

DATE	REMARKS
	STEEL GRADE: A36 (UN)
	STD HOLES: 1 1/16 (UN)
	FIELD BOLTS: 3/4 A325X_TC (UN)
	WELDS: E70XX (UN)
	SURF. PREP: SSPC-SP2 (UN)
	PAIN: GRAY (UN)

JOB NAME: Atlas Box & Crating Company		JOB LOCATION: Sutton, MA	
CONTRACTOR:		DWG. TITLE: ZONE- 13 & 14 Bracing Elev.	
DRAWN BY: KB	CHECKED BY: CM	JOB NUMBER:	SHT.:
DATE: 01/28/2009	DATE: 01/28/2009	502-08	E15

