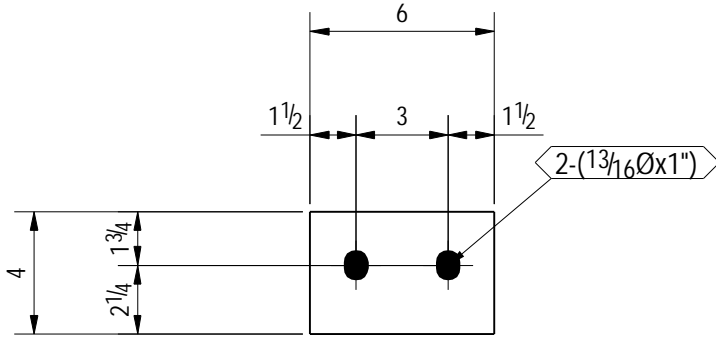


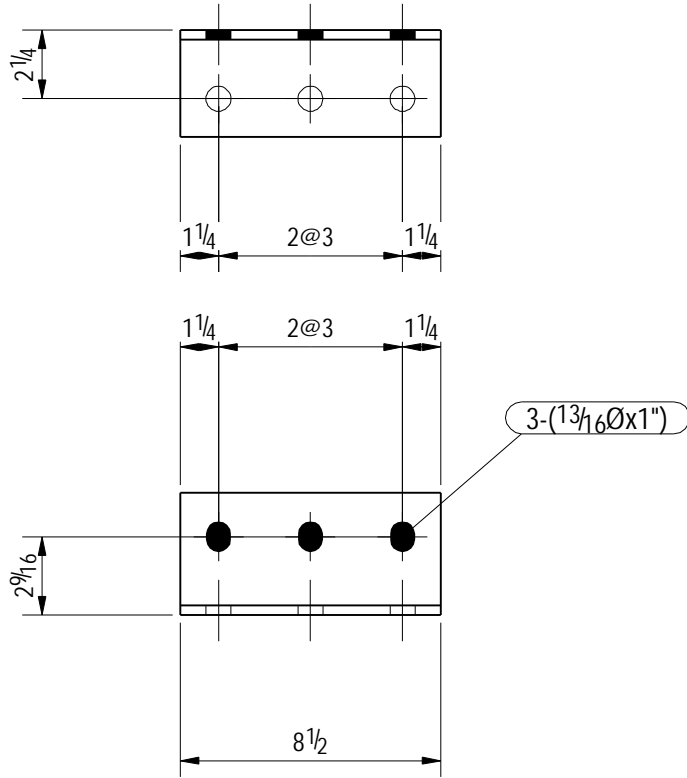
REV	DATE	REMARKS



QTY	ZONE	ASSEMBLY MARK
1	13	B116

43TP24	1	FB3/8X4	0'-6"	2.6	A36
PART MARK	QTY	SIZE	LENGTH	UNIT WEIGHT	REMARKS
DWN BY: KB	JOB: Atlas Box & Crating Company				JOB NO: 502-08
DATE: 01/22/2009	JOB LOCATION: Sutton, MA				
CHK BY: CM	DWG TITLE: Single Part PL Detail		HOLES: 13/16Ø (UN)		REV. 0
DATE: 00/00/0000	CONTRACTOR:		GRADE: A36 (UN)		PART MARK 43TP24

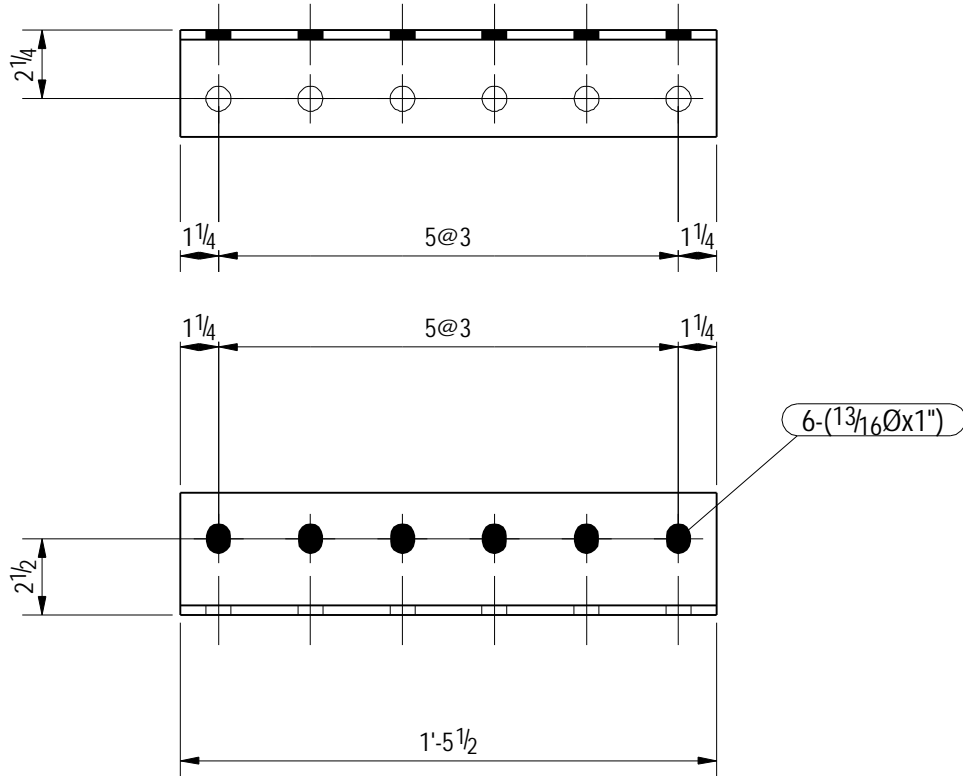
REV	DATE	REMARKS



QTY	ZONE	ASSEMBLY MARK
2	3	B150
2	TOTAL for ZONE	

D39	2	L4X3-1/2X5/16	0'-8 1/2"	5.4	A36
PART MARK	QTY	SIZE	LENGTH	UNIT WEIGHT	REMARKS
DWN BY: KB	JOB: Atlas Box & Crating Company				JOB NO: 502-08
DATE: 01/22/2009	JOB LOCATION: Sutton, MA				
CHK BY: CM	DWG TITLE: Single Part Angle Detail		HOLES: 13/16Ø (UN)		REV. 0
DATE: 00/00/0000	CONTRACTOR:		GRADE: A36 (UN)		PART MARK D39

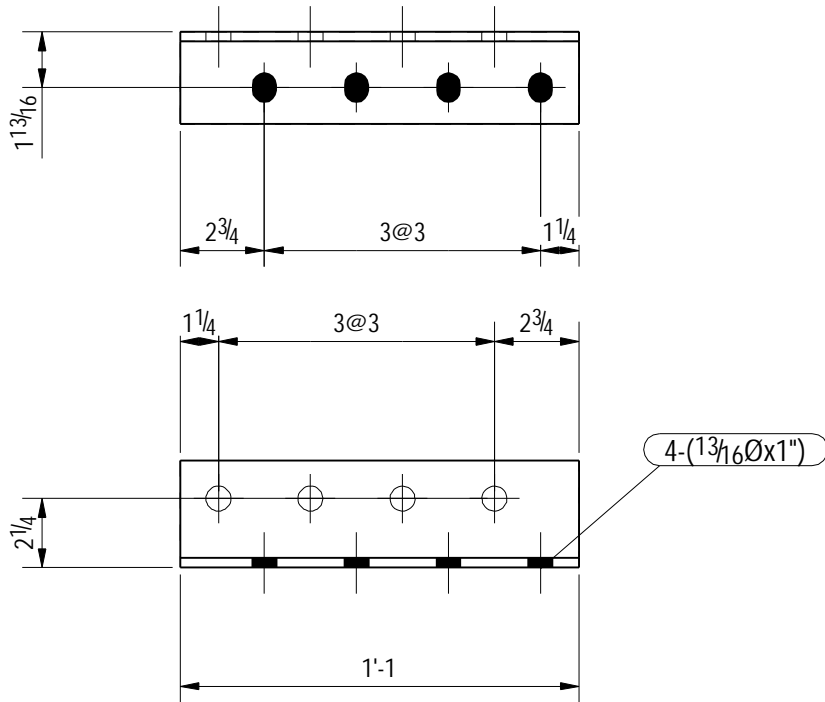
REV	DATE	REMARKS



QTY	ZONE	ASSEMBLY MARK
2	12	B55
2	TOTAL for ZONE	

D68	2	L4X3-1/2X5/16	1'-5 1/2"	11.2	A36
PART MARK	QTY	SIZE	LENGTH	UNIT WEIGHT	REMARKS
DWN BY: KB	JOB: Atlas Box & Crating Company				JOB NO: 502-08
DATE: 01/22/2009	JOB LOCATION: Sutton, MA				
CHK BY: CM	DWG TITLE: Single Part Angle Detail		HOLES: 13/16Ø (UN)		REV. 0
DATE: 00/00/0000	CONTRACTOR:		GRADE: A36 (UN)		PART MARK D68

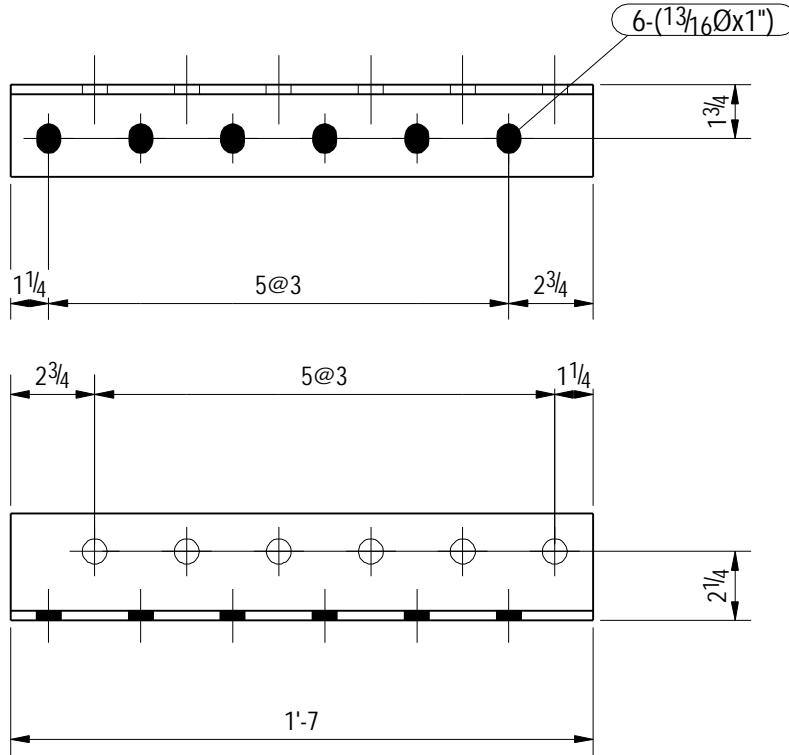
REV	DATE	REMARKS



QTY	ZONE	ASSEMBLY MARK
1	13	B87
1	13	B88

E43L	2	L3-1/2X3X5/16	1'-1 1/16"	7.2	A36
PART MARK	QTY	SIZE	LENGTH	UNIT WEIGHT	REMARKS
DWN BY: KB	JOB: Atlas Box & Crating Company				JOB NO: 502-08
DATE: 01/22/2009	JOB LOCATION: Sutton, MA				
CHK BY: CM	DWG TITLE: Single Part Angle Detail		HOLES: 13/16Ø (UN)		REV. 0
DATE: 00/00/0000	CONTRACTOR:		GRADE: A36 (UN)		
					PART MARK E43L

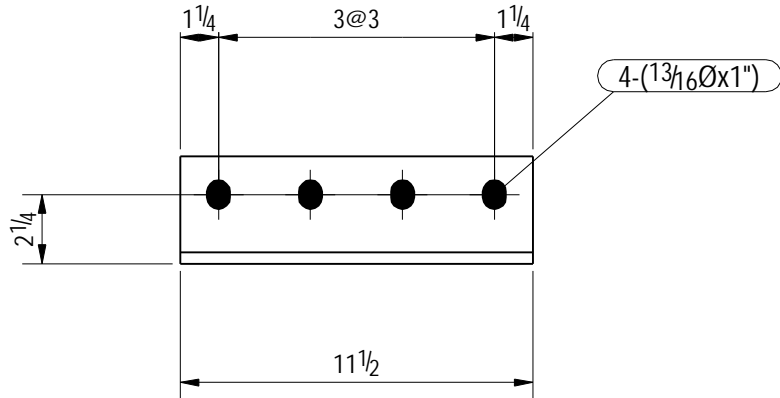
REV	DATE	REMARKS



QTY	ZONE	ASSEMBLY MARK
1	4	B57
1	TOTAL for ZONE	
1	6	B51
1	TOTAL for ZONE	
1	7	B52
1	TOTAL for ZONE	
1	9	B9

E62R	4	L3-1/2X3X5/16	1'-7"	10.4	A36
PART MARK	QTY	SIZE	LENGTH	UNIT WEIGHT	REMARKS
DWN BY: KB	JOB: Atlas Box & Crating Company				JOB NO: 502-08
DATE: 01/22/2009	JOB LOCATION: Sutton, MA				
CHK BY: CM	DWG TITLE: Single Part Angle Detail		HOLES: 13/16Ø (UN)		REV. 0
DATE: 00/00/0000	CONTRACTOR:		GRADE: A36 (UN)		PART MARK E62R

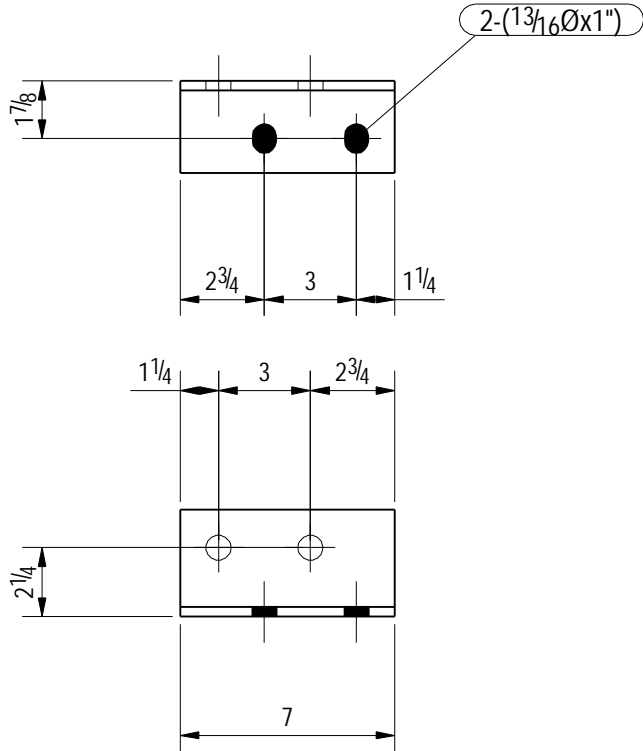
REV	DATE	REMARKS



QTY	ZONE	ASSEMBLY MARK
2	4	C105
2	TOTAL for ZONE	
2	13	C25
4	13	C27
2	13	C72
2	13	C79
10	TOTAL for ZONE	
4	14	C71
2	14	C77
2	14	C82
8	TOTAL for ZONE	

M44	20	L3-1/2X2-1/2X3/8	0'-11 1/2"	6.9	A36
PART MARK	QTY	SIZE	LENGTH	UNIT WEIGHT	REMARKS
DWN BY: KB	JOB: Atlas Box & Crating Company				JOB NO: 502-08
DATE: 01/22/2009	JOB LOCATION: Sutton, MA				
CHK BY: CM	DWG TITLE: Single Part Angle Detail		HOLES: 13/16Ø (UN)		REV. 0
DATE: 00/00/0000	CONTRACTOR:		GRADE: A36 (UN)		PART MARK M44

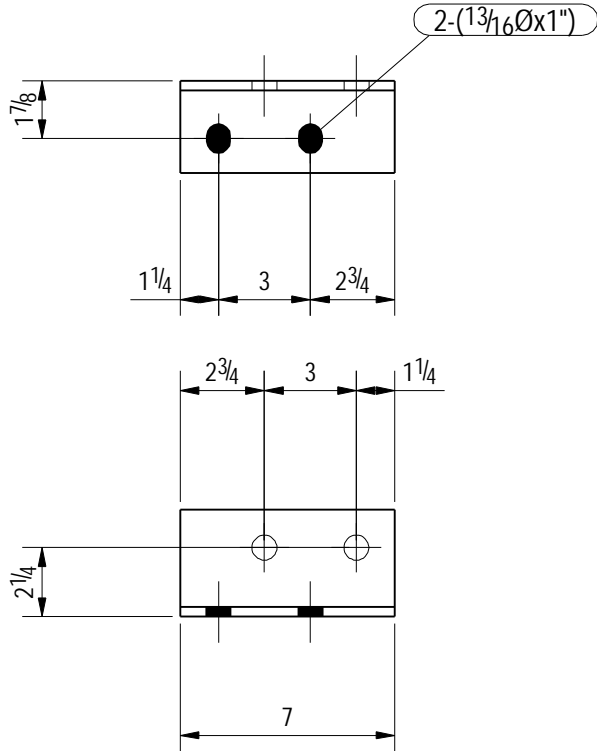
REV	DATE	REMARKS



QTY	ZONE	ASSEMBLY MARK
1	13	B78
1	13	B110
1	13	B111

a29	3	L3-1/2X3X5/16	0'-7"	3.8	A36
PART MARK	QTY	SIZE	LENGTH	UNIT WEIGHT	REMARKS
DWN BY: KB	JOB: Atlas Box & Crating Company				JOB NO: 502-08
DATE: 01/22/2009	JOB LOCATION: Sutton, MA				
CHK BY: CM	DWG TITLE: Single Part Angle Detail		HOLES: 13/16Ø (UN)		REV. PART MARK 0 a29
DATE: 00/00/0000	CONTRACTOR:		GRADE: A36 (UN)		

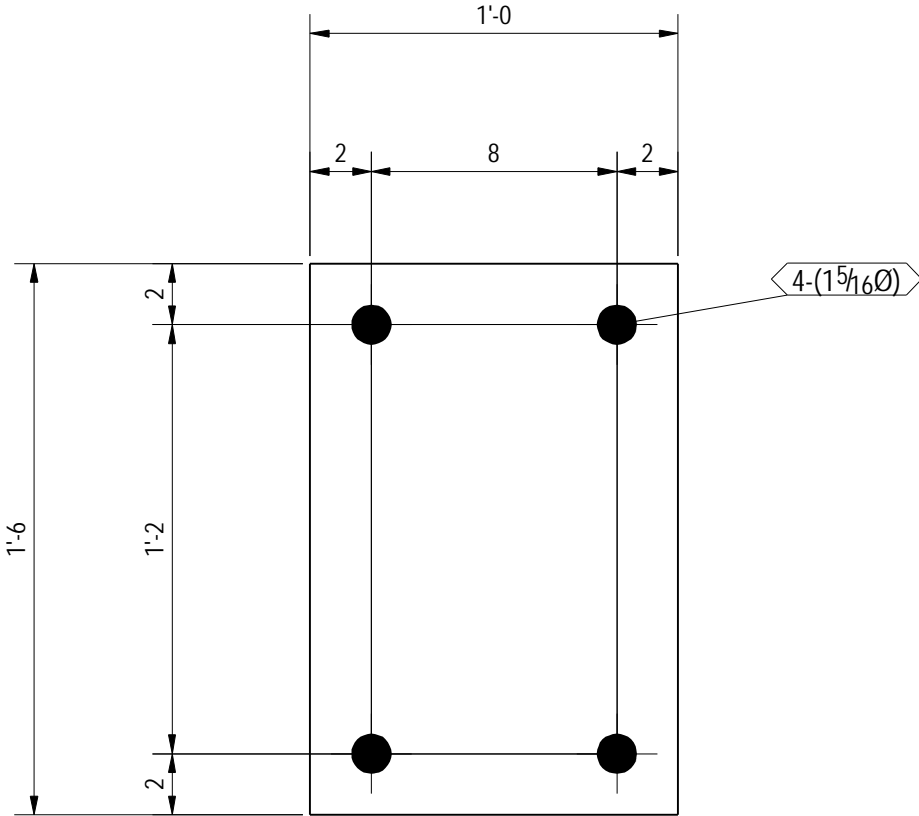
REV	DATE	REMARKS



QTY	ZONE	ASSEMBLY MARK
1	13	B78
1	13	B110
1	13	B111

a30	3	L3-1/2X3X5/16	0'-7"	3.8	A36
PART MARK	QTY	SIZE	LENGTH	UNIT WEIGHT	REMARKS
DWN BY: KB	JOB: Atlas Box & Crating Company				JOB NO: 502-08
DATE: 01/22/2009	JOB LOCATION: Sutton, MA				
CHK BY: CM	DWG TITLE: Single Part Angle Detail		HOLES: 13/16Ø (UN)		REV. 0
DATE: 00/00/0000	CONTRACTOR:		GRADE: A36 (UN)		PART MARK a30

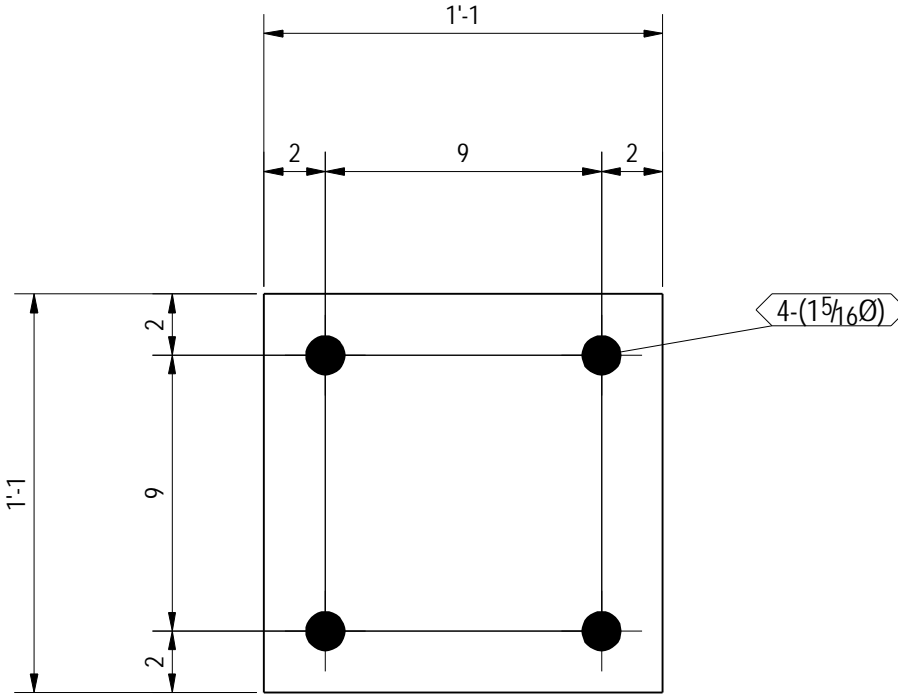
REV	DATE	REMARKS



QTY	ZONE	ASSEMBLY MARK
1	4	C9
1	TOTAL for ZONE	
3	6	C38
3	TOTAL for ZONE	
3	7	C38
1	7	C68
4	TOTAL for ZONE	
3	12	C38
3	TOTAL for ZONE	

bp2	11	PL1 1/4X12	1'-6"	76.6	A36
PART MARK	QTY	SIZE	LENGTH	UNIT WEIGHT	REMARKS
DWN BY: KB	JOB: Atlas Box & Crating Company				JOB NO: 502-08
DATE: 01/22/2009	JOB LOCATION: Sutton, MA				
CHK BY: CM	DWG TITLE: Single Part Base PL Detail		HOLES: 13/16Ø (UN)		REV. PART MARK 0 bp2
DATE: 00/00/0000	CONTRACTOR:		GRADE: A36 (UN)		

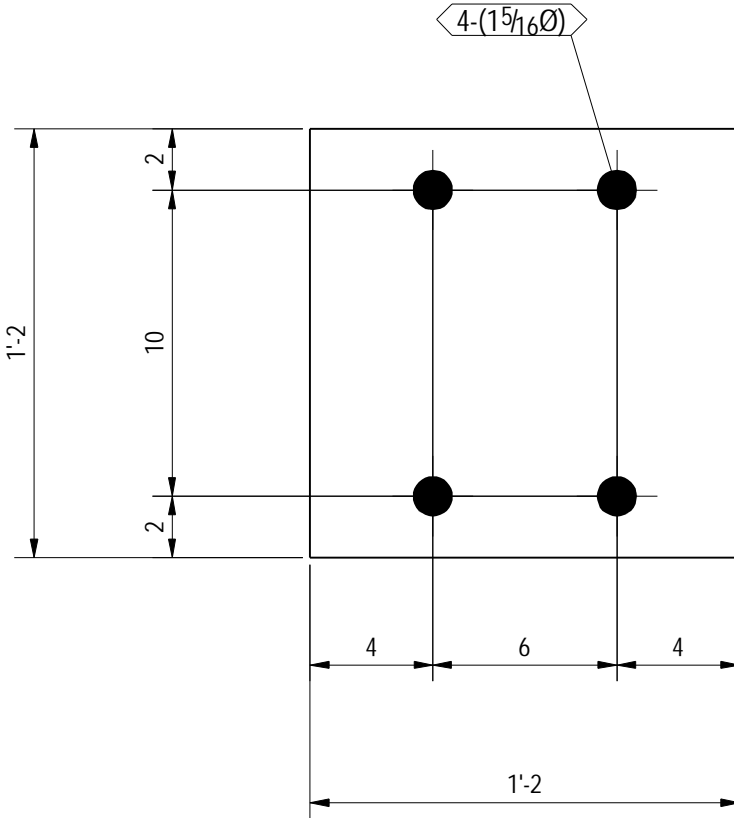
REV	DATE	REMARKS



QTY	ZONE	ASSEMBLY MARK
3	3	C90
1	3	C106
1	3	C107
1	3	C115
1	3	C116
1	3	C120
8	TOTAL for ZONE	
1	4	C117
1	4	C118
1	4	C119
3	TOTAL for ZONE	
1	13	C18
1	13	C19
4	13	C21
1	13	C69
1	13	C70
8	TOTAL for ZONE	
1	14	C71
1	14	C77
1	14	C78
3	TOTAL for ZONE	

bp6	22	PL1 1/4X13	1'-1"	59.9	A36
PART MARK	QTY	SIZE	LENGTH	UNIT WEIGHT	REMARKS
DWN BY: KB	JOB: Atlas Box & Crating Company				JOB NO: 502-08
DATE: 01/22/2009	JOB LOCATION: Sutton, MA				
CHK BY: CM	DWG TITLE: Single Part Base PL Detail		HOLES: 13/16Ø (UN)		REV. 0
DATE: 00/00/0000	CONTRACTOR:		GRADE: A36 (UN)		
					PART MARK bp6

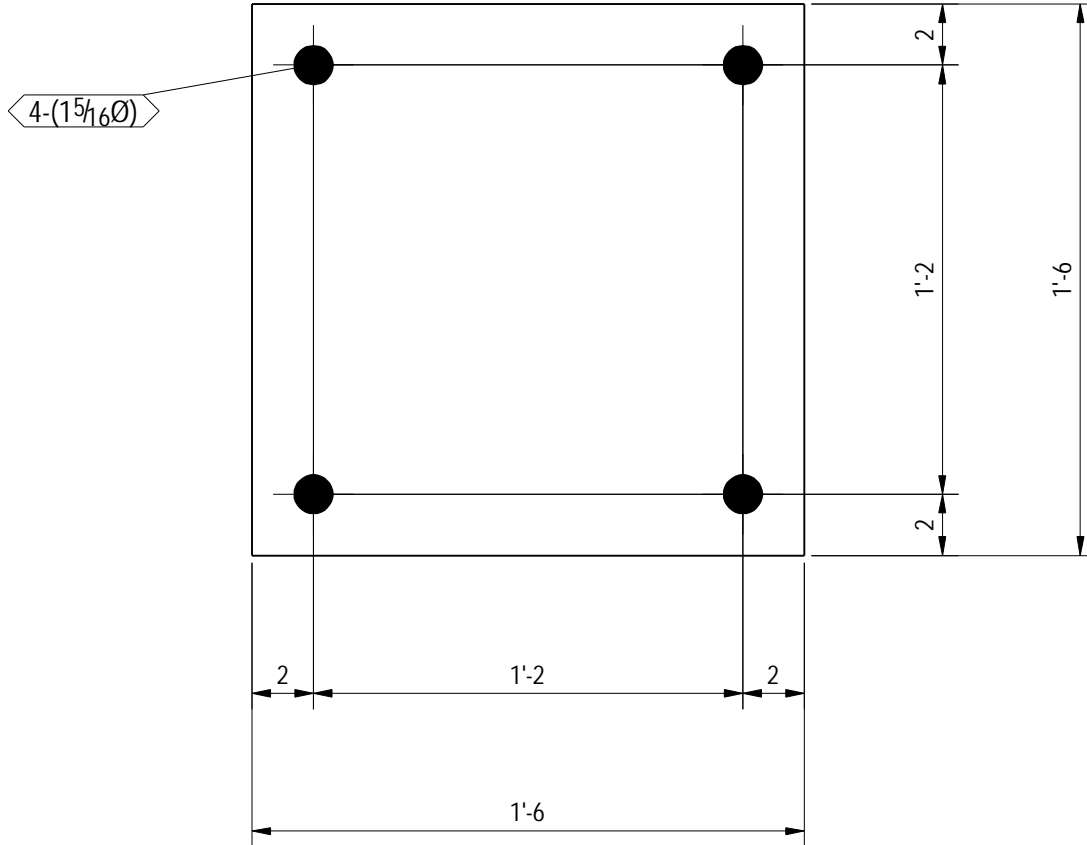
REV	DATE	REMARKS



QTY	ZONE	ASSEMBLY MARK
1	1	C34
1	TOTAL for ZONE	
1	3	C61
1	TOTAL for ZONE	
1	12	C13

bp9	3	PL1 1/4X14	1'-2"	69.5	A36
PART MARK	QTY	SIZE	LENGTH	UNIT WEIGHT	REMARKS
DWN BY: KB	JOB: Atlas Box & Crating Company				JOB NO: 502-08
DATE: 01/22/2009	JOB LOCATION: Sutton, MA				
CHK BY: CM	DWG TITLE: Single Part Base PL Detail		HOLES: 13/16Ø (UN)		REV. 0
DATE: 00/00/0000	CONTRACTOR:		GRADE: A36 (UN)		
					PART MARK bp9

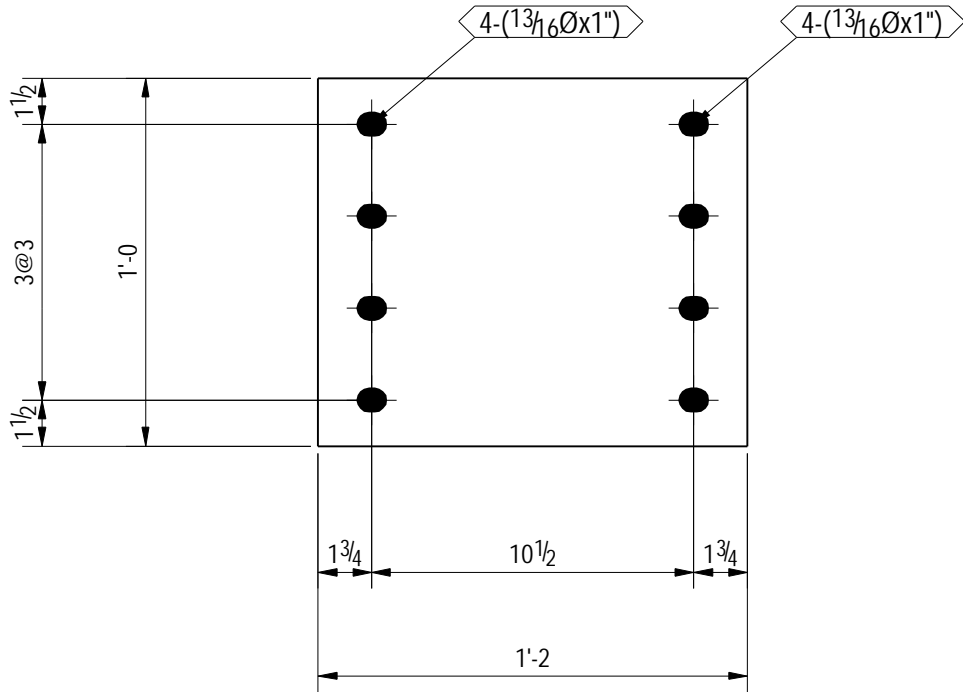
REV	DATE	REMARKS



QTY	ZONE	ASSEMBLY MARK
1	4	C1
1	TOTAL for ZONE	
1	6	C3
1	TOTAL for ZONE	
1	7	C10
1	TOTAL for ZONE	
1	9	C2

bp12	4	PL1 1/4X18	1'-6"	114.9	A36
PART MARK	QTY	SIZE	LENGTH	UNIT WEIGHT	REMARKS
DWN BY: KB	JOB: Atlas Box & Crating Company				JOB NO: 502-08
DATE: 01/22/2009	JOB LOCATION: Sutton, MA				
CHK BY: CM	DWG TITLE: Single Part Base PL Detail		HOLES: 13/16Ø (UN)		REV. 0
DATE: 00/00/0000	CONTRACTOR:		GRADE: A36 (UN)		
					PART MARK bp12

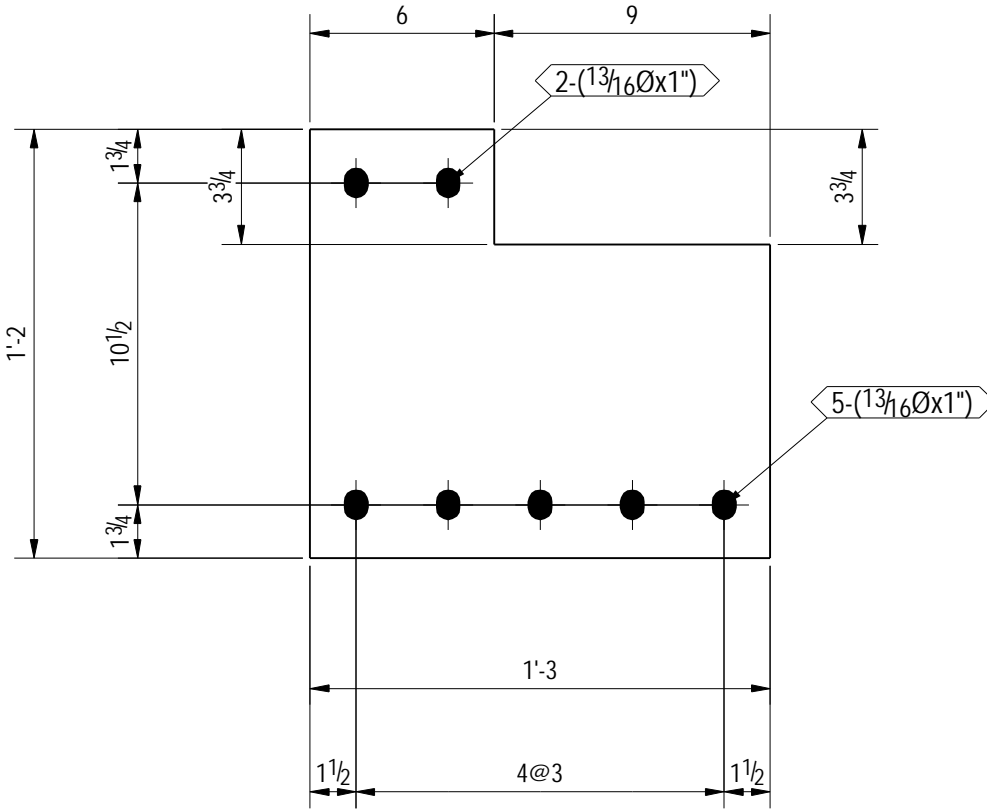
REV	DATE	REMARKS



QTY	ZONE	ASSEMBLY MARK
1	13	C17

p1	1	FB3/4X12	1'-2"	35.7	A36
PART MARK	QTY	SIZE	LENGTH	UNIT WEIGHT	REMARKS
DWN BY: KB	JOB: Atlas Box & Crating Company				JOB NO: 502-08
DATE: 01/22/2009	JOB LOCATION: Sutton, MA				
CHK BY: CM	DWG TITLE: Single Part PL Detail			HOLES: 13/16Ø (UN)	REV. 0
DATE: 00/00/0000	CONTRACTOR:			GRADE: A36 (UN)	PART MARK p1

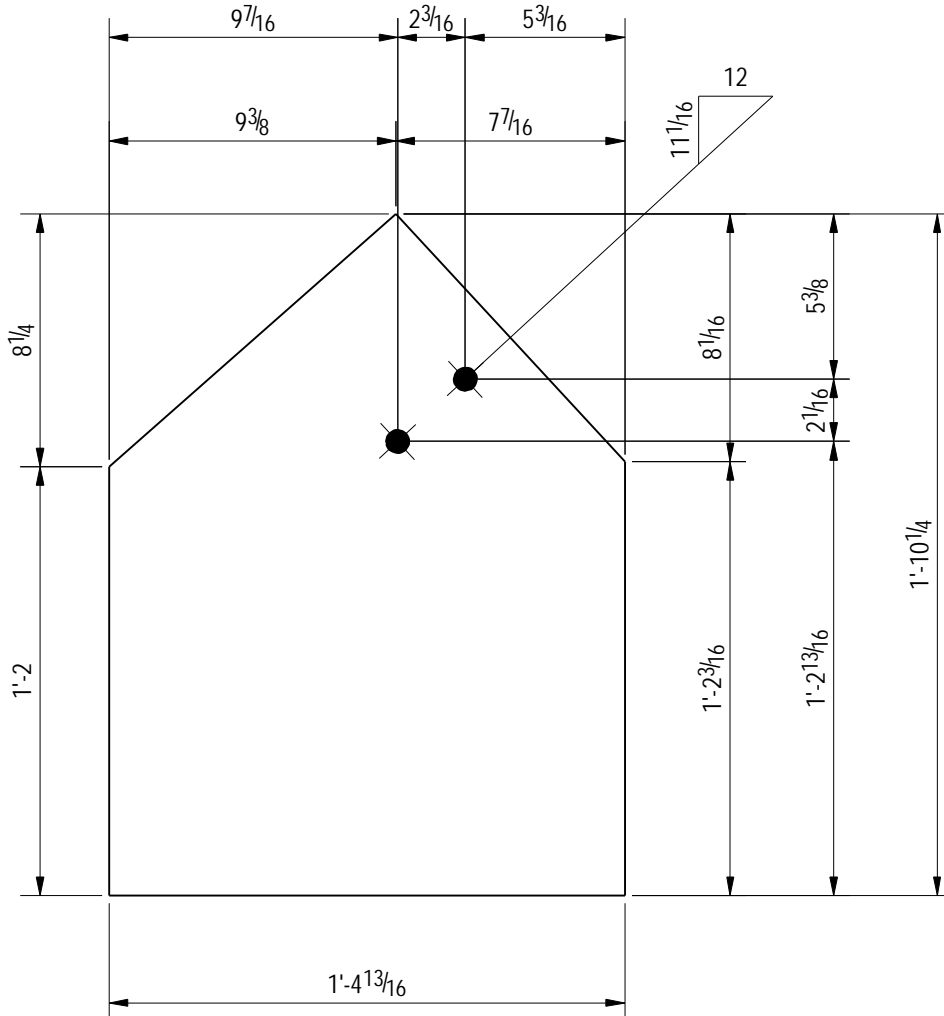
REV	DATE	REMARKS



QTY	ZONE	ASSEMBLY MARK
1	14	C71

p2	1	PL3/4X14	1'-3"	44.7	A36
PART MARK	QTY	SIZE	LENGTH	UNIT WEIGHT	REMARKS
DWN BY: KB	JOB: Atlas Box & Crating Company				JOB NO: 502-08
DATE: 01/22/2009	JOB LOCATION: Sutton, MA				
CHK BY: CM	DWG TITLE: Single Part PL Detail			HOLES: 13/16Ø (UN)	REV. PART MARK 0 p2
DATE: 00/00/0000	CONTRACTOR:			GRADE: A36 (UN)	

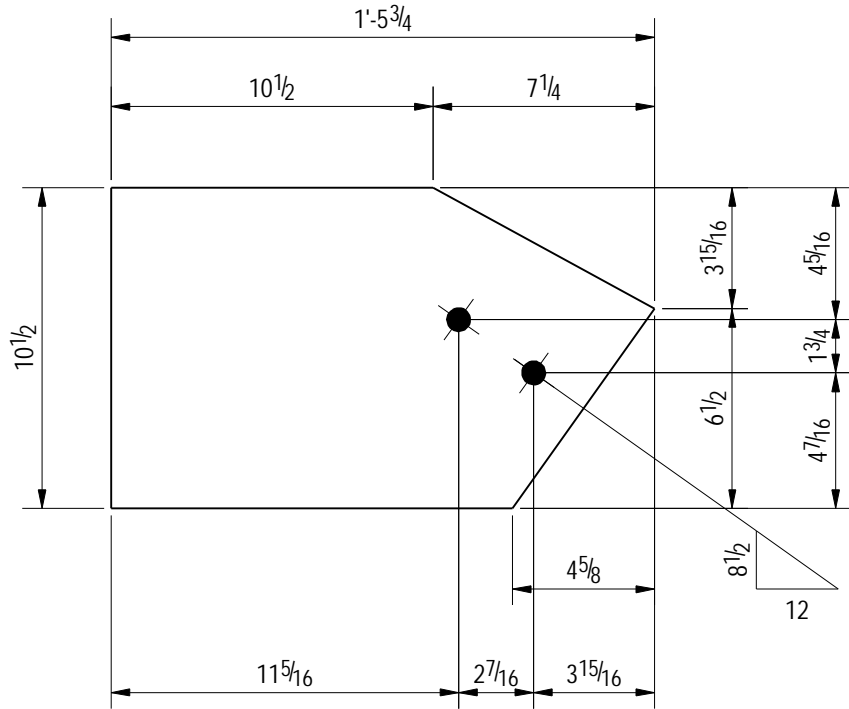
REV	DATE	REMARKS



QTY	ZONE	ASSEMBLY MARK
1	4	C1
1	TOTAL for ZONE	
1	6	C3
1	TOTAL for ZONE	
1	7	C10
1	TOTAL for ZONE	
1	9	C2

PART MARK	QTY	SIZE	LENGTH	UNIT WEIGHT	REMARKS
p3	4	PL3/4X16 13/16	1'-10 1/4"	79.6	A36
DWN BY: KB	JOB: Atlas Box & Crating Company				JOB NO: 502-08
DATE: 01/26/2009	JOB LOCATION: Sutton, MA				
CHK BY: CM	DWG TITLE: Single Part PL Detail			HOLES: 13/16Ø (UN)	REV. PART MARK 0 p3
DATE: 00/00/0000	CONTRACTOR:			GRADE: A36 (UN)	

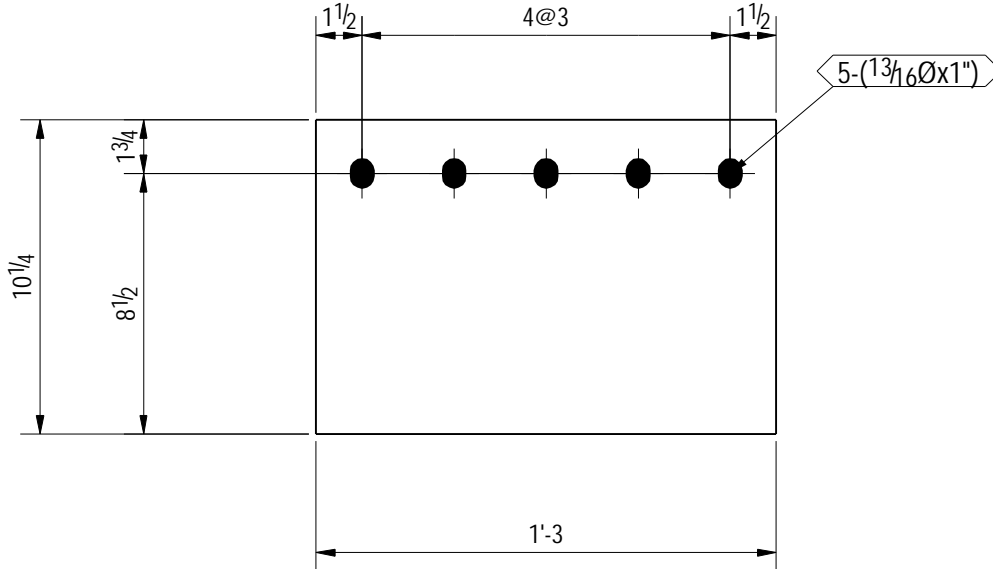
REV	DATE	REMARKS



QTY	ZONE	ASSEMBLY MARK
1	13	C28
1	13	C29

p4	2	PL3/4X10 1/2	1'-5 3/4"	39.5	A36
PART MARK	QTY	SIZE	LENGTH	UNIT WEIGHT	REMARKS
DWN BY: KB	JOB: Atlas Box & Crating Company				JOB NO: 502-08
DATE: 01/26/2009	JOB LOCATION: Sutton, MA				
CHK BY: CM	DWG TITLE: Single Part PL Detail			HOLES: 13/16Ø (UN)	REV. PART MARK 0 p4
DATE: 00/00/0000	CONTRACTOR:			GRADE: A36 (UN)	

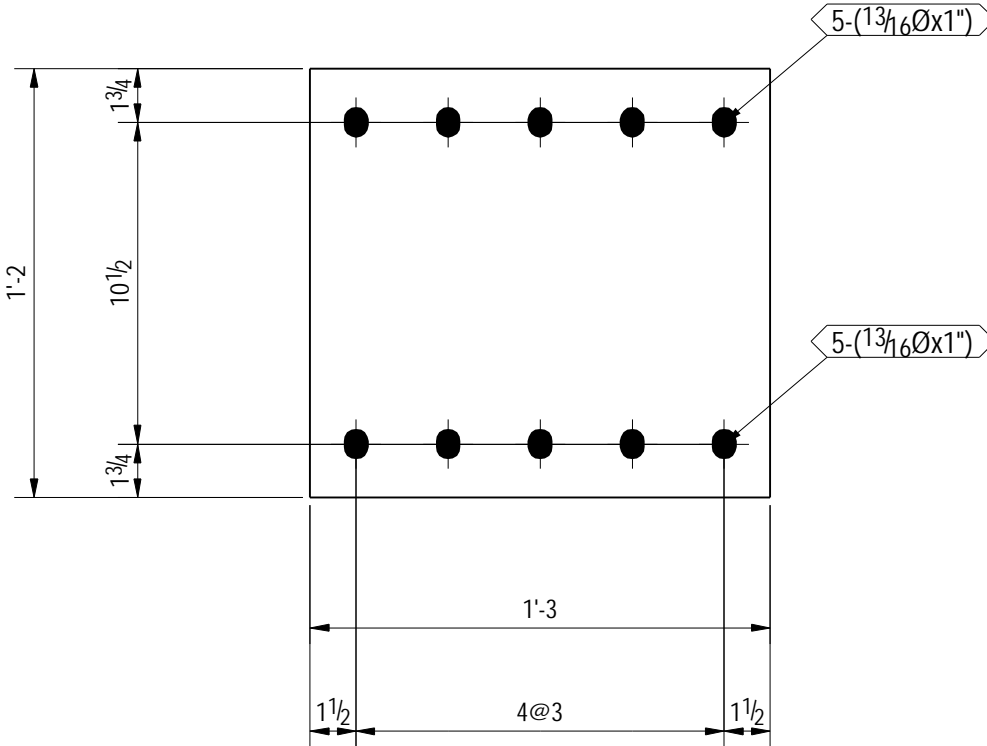
REV	DATE	REMARKS



QTY	ZONE	ASSEMBLY MARK
1	14	C55

p7	1	PL3/4X10 1/4	1'-3"	32.7	A36
PART MARK	QTY	SIZE	LENGTH	UNIT WEIGHT	REMARKS
DWN BY: KB	JOB: Atlas Box & Crating Company				JOB NO: 502-08
DATE: 01/22/2009	JOB LOCATION: Sutton, MA				
CHK BY: CM	DWG TITLE: Single Part PL Detail			HOLES: 13/16Ø (UN)	REV. PART MARK 0 p7
DATE: 00/00/0000	CONTRACTOR:			GRADE: A36 (UN)	

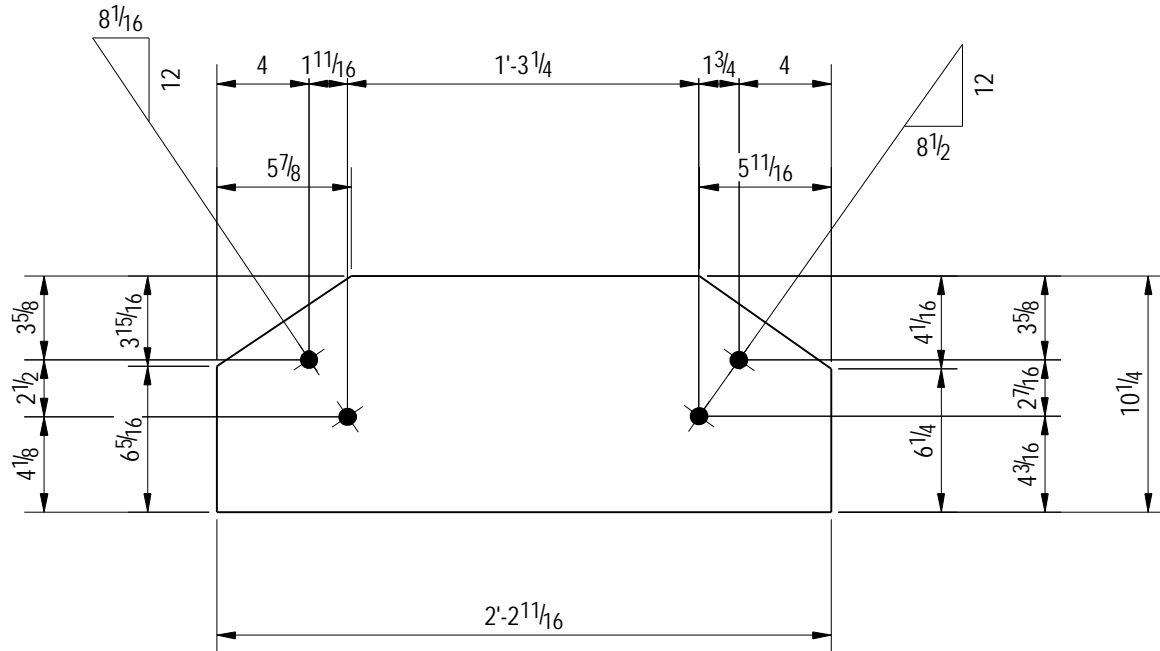
REV	DATE	REMARKS



QTY	ZONE	ASSEMBLY MARK
1	13	C69
1	13	C70

p15	2	PL3/4X14	1'-3"	44.7	A36
PART MARK	QTY	SIZE	LENGTH	UNIT WEIGHT	REMARKS
DWN BY: KB	JOB: Atlas Box & Crating Company				JOB NO: 502-08
DATE: 01/22/2009	JOB LOCATION: Sutton, MA				
CHK BY: CM	DWG TITLE: Single Part PL Detail			HOLES: 13/16Ø (UN)	REV. PART MARK 0 p15
DATE: 00/00/0000	CONTRACTOR:			GRADE: A36 (UN)	

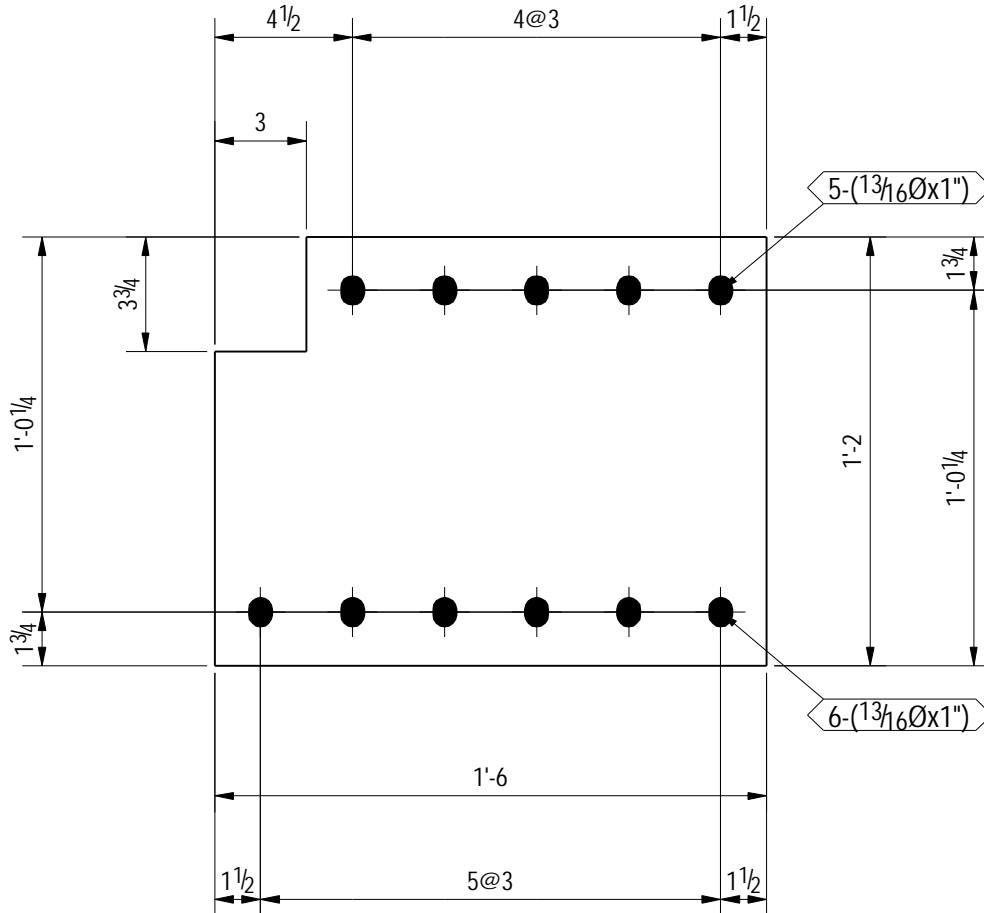
REV	DATE	REMARKS



QTY	ZONE	ASSEMBLY MARK
1	13	B68

p18	1	PL3/4X10 1/4	2'-2 11/16"	58.4	A36
PART MARK	QTY	SIZE	LENGTH	UNIT WEIGHT	REMARKS
DWN BY: KB	JOB: Atlas Box & Crating Company				JOB NO: 502-08
DATE: 01/22/2009	JOB LOCATION: Sutton, MA				
CHK BY: CM	DWG TITLE: Single Part PL Detail			HOLES: 13/16Ø (UN)	REV. 0 PART MARK p18
DATE: 00/00/0000	CONTRACTOR:			GRADE: A36 (UN)	

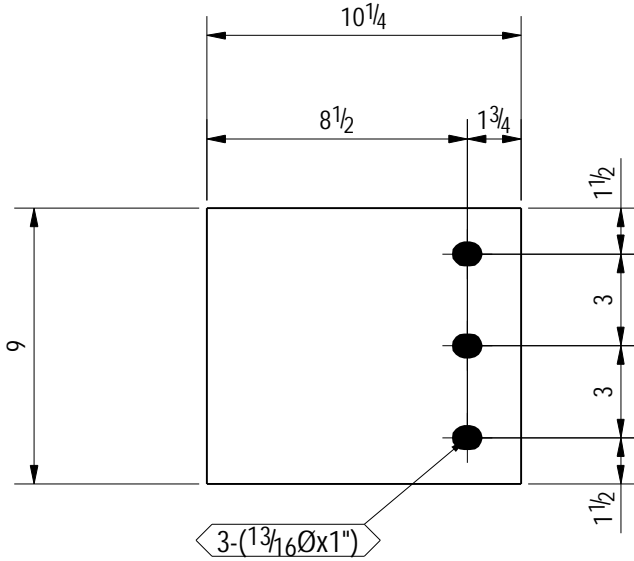
REV	DATE	REMARKS



QTY	ZONE	ASSEMBLY MARK
1	13	C26

p31	1	PL3/4X14	1'-6"	53.6	A36
PART MARK	QTY	SIZE	LENGTH	UNIT WEIGHT	REMARKS
DWN BY: KB	JOB: Atlas Box & Crating Company				JOB NO: 502-08
DATE: 01/22/2009	JOB LOCATION: Sutton, MA				
CHK BY: CM	DWG TITLE: Single Part PL Detail			HOLES: 13/16Ø (UN)	REV. PART MARK 0 p31
DATE: 00/00/0000	CONTRACTOR:			GRADE: A36 (UN)	

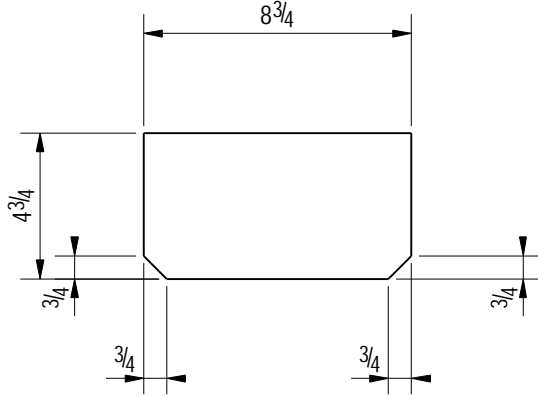
REV	DATE	REMARKS



QTY	ZONE	ASSEMBLY MARK
1	13	C25

p32	1	FB3/4X9	0'-10 1/4"	19.6	A36
PART MARK	QTY	SIZE	LENGTH	UNIT WEIGHT	REMARKS
DWN BY: KB	JOB: Atlas Box & Crating Company				JOB NO: 502-08
DATE: 01/22/2009	JOB LOCATION: Sutton, MA				
CHK BY: CM	DWG TITLE: Single Part PL Detail		HOLES: 13/16Ø (UN)		REV. 0
DATE: 00/00/0000	CONTRACTOR:		GRADE: A36 (UN)		PART MARK p32

REV	DATE	REMARKS



QTY	ZONE	ASSEMBLY MARK
4	13	C43
4	13	C87
8	13	C98
16	TOTAL for ZONE	

p100	16	FB3/8X4 3/4	0'-8 3/4"	4.4	A36
PART MARK	QTY	SIZE	LENGTH	UNIT WEIGHT	REMARKS
DWN BY: KB	JOB: Atlas Box & Crating Company				JOB NO: 502-08
DATE: 01/22/2009	JOB LOCATION: Sutton, MA				
CHK BY: CM	DWG TITLE: Single Part PL Detail		HOLES: 13/16Ø (UN)		REV. 0
DATE: 00/00/0000	CONTRACTOR:		GRADE: A36 (UN)		PART MARK p100